



# ***CRF250R***

**CRF250R<sub>4</sub>**  
**CRF250R<sub>5</sub>**  
**CRF250R<sub>6</sub>**  
**CRF250R<sub>7</sub>**  
**CRF250R<sub>8</sub>**

**PARTS CATALOGUE**

**5**



[CRF250R4]

---

FOREWORD INDEX

**1**

---

ENGINE GROUP

**2**

---

FRAME GROUP

**3**

---

PART NUMBER INDEX

**4**

---

PART NAME INDEX

**5**

---



**Instruction for use of parts catalogue**

- **This parts catalogue has been created as of August 10, 2007.**
  - Since this date, the sales practice for repair parts may have been changed or the parts may have been eliminated (listed for those not for sale).
  - The modified information is reflected on the latest Electronic Parts Catalogue (EPC).  
Also, refer to the parts catalogue news for any change.
  - See the parts catalogue news for any revision that is made after August 10, 2007.
- **Always specify the part number when ordering a part.**
  - Check the model, type, serial numbers, color, maker, and the size as needed before ordering a part.
  - Note that the illustrations (part drawings) can differ from the actual parts in shape.  
They are given just to help you to refer to the parts.
- **When modifications or additions to this parts catalogue are made, a revised edition will be issued at an appropriate time, with successively progressing revision numbers on the cover. We recommend obtaining such revisions in order to keep your parts catalogue up-to-date at all times. To check whether a parts catalogue revision has been issued, please contact your Honda distributor.**

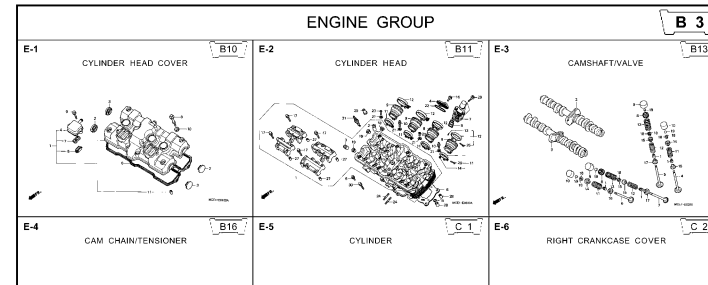
Initial version issue date  
September 10, 2003  
**Honda Motor Co., Ltd.**

**CONTENTS**

	Page	Address No.	
● Instruction for use of parts catalogue .....	1	B 1	<b>1</b>
● How to refer to the part information .....	2	B 2	
● Part catalogue structure .....	3	B 3	
● When the parts were revised .....	4	B 4	
● Abbreviations used in the parts catalogue .....	4	B 4	
● Part block and serial number check .....	5	B 5	
● Models, parts catalogue codes and applicable serial numbers .....	6	B 6	
● Fuel hose, general purpose hoses and vinyl hose .....	8	B 8	
● FLAT RATE SERVICE TIME .....	12	B12	
● Illustrated index .....	17	C 1	
● ENGINE GROUP .....	24	D 1	<b>2</b>
● FRAME GROUP .....	62	G 1	<b>3</b>
● PART NO. INDEX .....	114	K 1	<b>4</b>
● PART NAME INDEX .....	121	L 1	<b>5</b>

How to refer to the part information

A Reference with "Illustrated index"

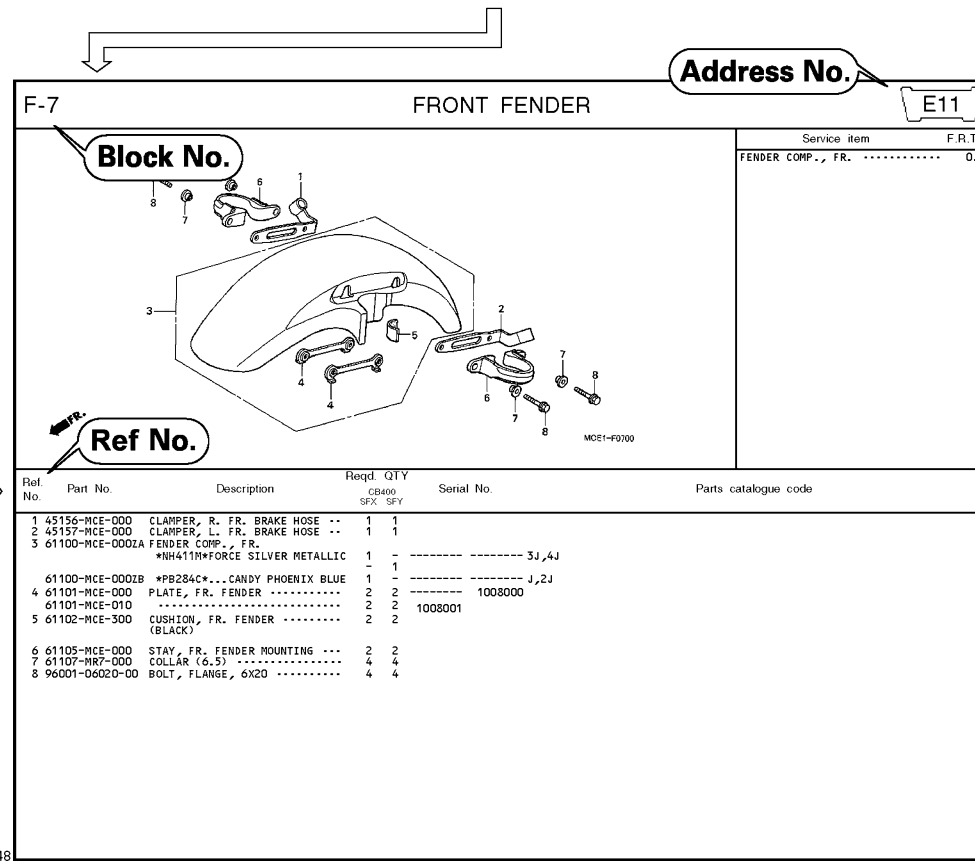


B Reference with "Part number index"

PART NO. INDEX						
Part Number	Address	Page	Ref.	Part Number	Address Page Rel.	F
04000				13323-MY9-751	C12 28 10	1492
				13324-MY9-751	C12 28 10	1493
04911-MCE-000	C10	26	1	13325-MY9-751	C12 28 10	1493
				13327-MY9-751	C12 28 10	1493
06000				14000		1493
06405-MY5-P00	F13	67	3	14100-MCE-000	B13 13 2	1493
06405-MY5-P10	F13	67	3	14200-MCE-000	B13 13 3	1493
06410-MY9-860	F2	56	1	14321-MCE-000	B16 16 2	1493
06435-MCE-006	F1	55	1	14401-MCE-003	B16 16 3	1493
06451-166-405	E13	51	2	14510-MBE-000	B16 16 4	1494
06451-443-405	F1	55	2	14520-MY9-691	B16 16 5	1494
06451-MA7-405	E13	51	1	14524-MY9-690	B16 16 6	1494
06455-MCE-006	E13	51	3	14546-MCE-000	B16 16 7	1494
				14620-MY9-691	B16 16 8	1494
11000				14711-MCE-000	B13 13 4	1494
11210-MCE-000	C9	25	1	14712-MCE-000	B13 13 5	1494
11350-MCE-305	C2	18	1	14721-MCE-000	B13 13 6	1494
11333-KT8-000	C6	22	1	14722-MCE-000	B13 13 7	1494
11335-MCE-000	C2	18	2	14730-MCE-000	B13 13 8	1494
11360-MCE-000	C7	23	1	14731-MCE-000	B13 13 9	1494
11365-MCE-000	C7	23	2	14731-MY9-751	B13 13 10	1495
11396-MY9-000	C2	18	3	14751-KY2-000	B13 13 11	1495
11631-MCE-000	C5	21	1	14751-MCE-000	B13 13 12	1495
11691-MY9-000	C5	21	2	14761-MCE-000	B13 13 13	1495

C Reference with "Part name index"

PART NAME INDEX					
Part name	Address	Page	Ref.	Part name	Page Ref.
[ A ]				BOLT , CHANG I	
ADJUSTER , CHAIN	F13	67	5	BOLT , CLUTC H	
ARM COMP. , GEA R CHANGE	F10	64	3	BOLT , CONNEC T	
ARM , L. MAIN STEP	F11	65	8	BOLT , DISK, 6	
ARM , L. PILLI O STEP	F11	65	12	BOLT , DISK, 8	
ARM , R. MAIN STEP	F11	65	5	BOLT , DRAIN I	
ARM , R. PILLI O STEP	F11	65	11	BOLT , FLANG E	
AUT O COC K ASSY. , FUEL	F4	58	2	BOLT , FLANG E	
AXLE , FR. WHEEL	E14	52	3	BOLT , FLANG E	
AXLE , RR. WHEEL	F2	56	3	BOLT , FLANG E	
[ B ]				BOLT , FLANG E	
BAG , AIR PRESSUR E GAUGE	67	77	4	BOLT , FLANG E	
BAG , SERVICE BOOK	67	77	1	BOLT , FLANG E	
BAG , TOOL	67	77	3	BOLT , FLANG E	
BALL , STEEL	F11	65	20	BOLT , FLANG E	
BAN D A , INSULATOR	B11	11	11	BOLT , FLANG E	
BAN D B , INSULATOR	B11	11	12	BOLT , FLANG E	
BAN D , AIR CLEANER CONNECTING				BOLT , FLANG E	
BAN D , U-LOCK	F8	62	22	BOLT , FLANG E	
BAN D , WIRE	F16	70	5	BOLT , FLANG E	
	C10	26	14		
	E5	43	21		
	6A	74	1R		

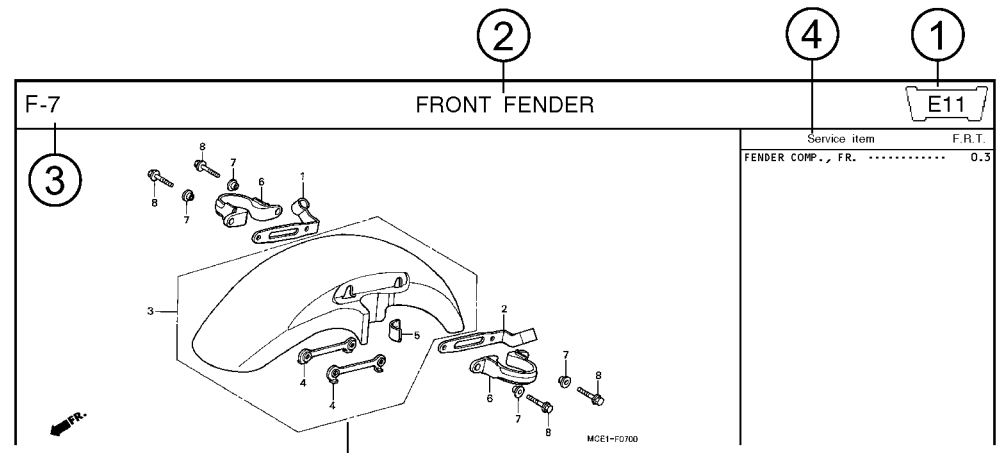


Ref. No.	Part No.	Description	Reqd. QTY	Serial No.	Parts catalogue code
			CB400 SFX SFY		
1	45156-MCE-000	CLAMPER, R. FR. BRAKE HOSE	1 1		
2	45157-MCE-000	CLAMPER, L. FR. BRAKE HOSE	1 1		
3	61100-MCE-000A	FENDER COMP., FR. *NH41M*FORCE SILVER METALLIC	1 -		3J,4J
	61100-MCE-000B	*PB284C*...CANDY PHOENIX BLUE	1 -		J,2J
4	61101-MCE-000	PLATE, FR. FENDER	2 2	1008000	
	61101-MCE-010	.....	2 2	1008001	
5	61102-MCE-300	CUSHION, FR. FENDER (BLACK)	2 2		
6	61105-MCE-000	STAY, FR. FENDER MOUNTING	2 2		
7	61107-MR7-000	COLLAR (6.5)	4 4		
8	96001-06020-00	BOLT, FLANGE, 6X20	4 4		

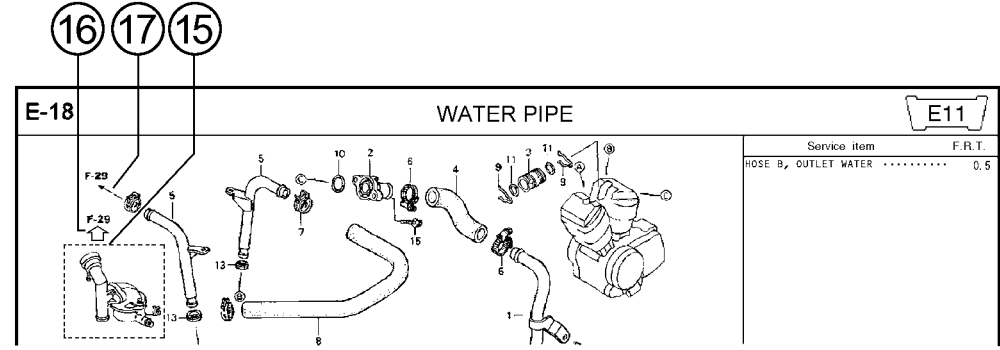
Page No.

2000.09.01 E

**Part catalogue structure**

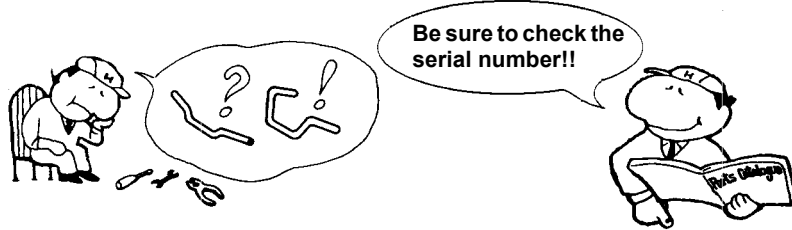


Ref. No.	Part No.	Description	Reqd. QTY		Serial No.	Parts catalogue code
			CB400 SFX	SFY		
1	45156-MCE-000	CLAMPER, R. FR. BRAKE HOSE ..	1	1		
2	45157-MCE-000	CLAMPER, L. FR. BRAKE HOSE ..	1	1		
3	61100-MCE-000ZA	FENDER COMP., FR. *NH411M*FORCE SILVER METALLIC	1	-	----- 3J,4J	
	61100-MCE-000ZB	*PB284C*...CANDY PHOENIX BLUE	1	-	----- J,2J	
4	61101-MCE-000	PLATE, FR. FENDER .....	2	2	1008000	
	61101-MCE-010	.....	2	2	1008001	
5	61102-MCE-300	CUSHION, FR. FENDER .....	2	2		
		(BLACK)				



- ① **Address number**
  - Address No. is provided (in place of the page No.) to help you refer to the part with the part No. or part name.
- ② **Block title** ③ **Block number**
- ④ **Service item/Flat rate time**
- ⑤ **Reference number**
  - Title number marked with the parenthesis or parentheses indicates that it continues from the previous page.
- ⑥ **Part number** ⑦ **Honda color code**
- ⑧ **Description**
- ⑨ **Assemblies**
  - Sections framed with broken lines in the exploded view drawings are available as complete assemblies. (Their individual parts can also be obtained.)
- ⑩ **Color description**
- ⑪ **Note**
  - Notes are shown with the parentheses in the part name column.
- ⑫ **Required quantity**
  - Reqd. QTY shown in the parenthesis or parentheses indicates the optional part.
  - Reqd. QTY marked with "N" indicates the optional part that should be selected as needed.
  - Reqd. QTY indicates the number of the part used in the block.
- ⑬ **Serial number**
- ⑭ **Parts catalogue code**
  - When the parts catalogue code column is blank, it indicates that the part is applicable to all codes.
- ⑮ **[Dotted line]**
  - Parts enclosed within a dotted line [ ] are covered in a different block.
- ⑯ **[Hollow arrow]**
  - A hollow arrow [ ] indicates the block No. for the parts enclosed within a dotted line [ ] .
- ⑰ **[Solid arrow]**
  - A solid arrow [ ] indicates the block No. the part in question is connected to.

When the parts were revised



Ref. No.	Part No.	Description	Reqd. QTY		Serial No.
			CB400 SFX	SFY	
1	45156-MCE-000	CLAMPER, R. FR. BRAKE HOSE ..	1	1	
2	45157-MCE-000	CLAMPER, L. FR. BRAKE HOSE ..	1	1	
3	61100-MCE-000ZA	FENDER COMP., FR. *NH411M*FORCE SILVER METALLIC	1	-	-----3J,4J
	61100-MCE-000ZB	*PB284C*...CANDY PHOENIX BLUE	1	-	-----J,2J
4	61101-MCE-000	PLATE, FR. FENDER (###).....	2	2	-----1008000
	61101-MCE-010	.....	2	2	-----1008001
5	61102-MCE-300	CUSHION, FR. FENDER ..... (BLACK)	2	2	
6	61105-MCE-000	STAY, FR. FENDER MOUNTING ...	2	2	
7	61107-MR7-000	COLLAR (6.5) .....	4	4	
8	96001-06020-00	BOLT, FLANGE, 6X20 .....	4	4	

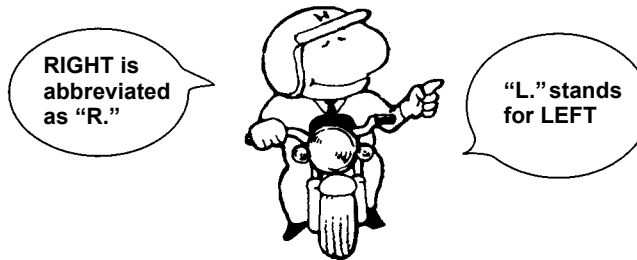
The number has been used from the initial model without revision.

When shown at the left side, it is applicable to the models of No.1008001 and the subsequent numbers.

When shown at the right side, it is applicable to the models up to No.1008000.

The parts listed with "###" at the end of the parts name have limited supply period (parts not for sale).

Abbreviations used in the parts catalogue

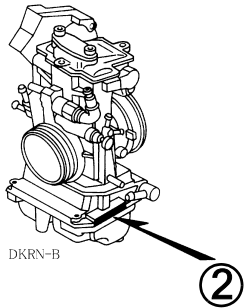
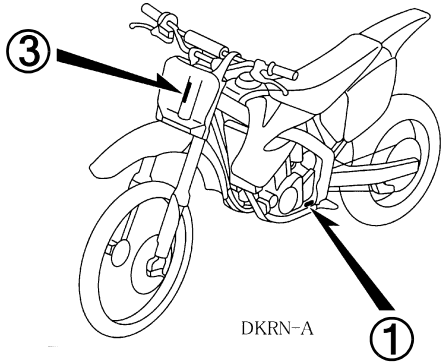
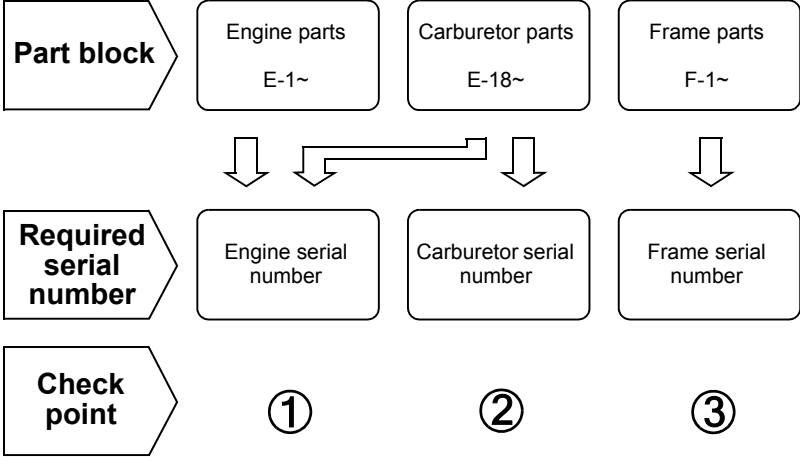


\* "L." or "R." in the description of a part stands for the LEFT hand side or the RIGHT hand side. Determine the left or right as if you were in the motorcycle seat.

The following abbreviations are used in this parts catalogue.

- |   |                                  |
|---|----------------------------------|
| A ..... Ampere                            | L .....Left                      |
| ABS ..... Anti-lock brake system          | L (100L) .Link (100 Links)       |
| A.C. .... Alternating current             | L.E.D. ....Light emitted diode   |
| A.M. .... Attaching mark                  | MM .....Millimeter               |
| ASSY. .... Assembly                       | MPH .....Miles per hour          |
| C.D.I. .... Capacitive discharge ignition | R. ....Right                     |
| COMP. ... Complete                        | RR. ....Rear                     |
| D.C. .... Direct current                  | STD. ....Standard                |
| EX. .... Exhaust                          | T (22T) ...Tooth (22 Teeth)      |
| FR. .... Front                            | TCS .....Traction control system |
| G ..... Gram                              | T.M. ....Transcript mark         |
| HEX. .... Hexagonal                       | V .....Volt                      |
| IN. .... Inlet                            | W .....Watt                      |
| KPH ..... Kilometers per hour             | WL .....With labelling           |
|   | WOL .....Without labelling       |

Part block and serial number check





### Models, parts catalogue codes and applicable serial numbers

Models, parts catalogue codes and applicable serial Nos. given in this parts catalogue can be identified as follows.

Parts with parts catalogue codes are exclusive for models destined for countries designated.

If no area codes are listed, parts are for common use.

Model	Area code	Type	Parts catalogue code	Applicable engine serial No.	Applicable frame serial No.	Applicable carburetor serial No.
CRF250R4	ED	European direct sales	ED	ME10E-2000001~2049999	JH2ME10A*4M000001~4M009999	FCR01A A
			ED/A	ME10E-2050001~2099999	JH2ME10A*4K010001~4K099999	
	U	Australia	U	ME10E-2000001~2049999	JH2ME10U*4M000001~4M049999	
			U/A	ME10E-2050001~2099999	JH2ME10U*4K050001~4K099999	
CRF250R5	ED	European direct sales	ED	ME10E-2100001~2119999	JH2ME10A*5M100001~5M109999	FCR01B A
			ED/A	ME10E-2120001~2149999	JH2ME10A*5K110001~5K149999	
			ED/B	ME10E-2150001~2199999	JH2ME10A*5M150001~5M199999	
	U	Australia	U	ME10E-2100001~2119999	JH2ME10U*5M100001~5M109999	
			U/A	ME10E-2120001~2149999	JH2ME10U*5K110001~5K149999	
			U/B	ME10E-2150001~2199999	JH2ME10U*5M150001~5M199999	
CRF250R6	ED	European direct sales	ED	ME10E-2200001~2229999	JH2ME10A*6M200001~6M209999	FCR12A A
			ED/A	ME10E-2230001~2239999	JH2ME10A*6K210001~6K219999	
			ED/B	ME10E-2240001~2249999	JH2ME10A*6M230001~6M239999	
	U	Australia	U	ME10E-2200001~2229999	JH2ME10U*6M200001~6M209999	
			U/A	ME10E-2230001~2239999	JH2ME10U*6K210001~6K219999	
			U/B	ME10E-2240001~2249999	JH2ME10U*6M230001~6M239999	

Model	Area code	Type	Parts catalogue code	Applicable engine serial No.	Applicable frame serial No.	Applicable carburetor serial No.
CRF250R7	ED	European direct sales	ED	ME10E-2300001~2319999	JH2ME10A*7M300001~7M309999	FCR12B A
			ED/A	ME10E-2320001~2329999	JH2ME10A*7K310001~7K319999	
			ED/B	ME10E-2330001~2339999	JH2ME10A*7M330001~7M339999	
	U	Australia	U	ME10E-2300001~2319999	JH2ME10U*7M300001~7M309999	
			U/A	ME10E-2320001~2329999	JH2ME10U*7K310001~7K319999	
			U/B	ME10E-2330001~2339999	JH2ME10U*7M330001~7M339999	
CRF250R8	DE	Denmark	DE	ME10E-2400001~	JH2ME10A*8M400001~	FCR12C A
	ED	European direct sales	ED	ME10E-2400001~	JH2ME10A*8M400001~	
	U	Australia	U	ME10E-2400001~	JH2ME10U*8M400001~	

\* Of carburetor/throttle body identification numbers, only the portions underlined in the example below are used for registration.

FCR01A A KC ア

## Fuel hose, general purpose hoses and vinyl hose

- The standard part fuel hose, general purpose hose and vinyl hose may be substituted by the coiled bulk part.
- When ordering the standard part fuel hose, general purpose hose and vinyl hose use the bulk part number written in the parts catalogue in brackets ( ) underneath the part name, or use the catalogue below.  
(The bulk part standard length is 1 m, however, those displayed in the catalogue < > are available in 3 m and 8 m lengths.)
- When exchanging the hose, cut and use at the specified length as mentioned in the part name.  
(For the method of cutting the bulk part, and method of filling out orders etc., please refer to the service manual and the instructions issued with the bulk part.)
- The list below is a catalogue of the standard part numbers and bulk part numbers. Note that those numbers are applicable to the listed replacement parts only.

Fuel hoses/Tubes			
Standard part No.	Bulk part No.	Bulk part	
		Inner diameter (mm)	Length (m)
95001-30xxx-2x	95001-30001-20M	3.0	1
95001-30xxx-3x	95001-30001-30M	3.0	1
95001-30xxx-4x	95001-30001-40M	3.0	1
95001-35xxx-2x	95001-35001-50M <95001-35003-50M>	3.5	1 3
95001-35xxx-3x	95001-35001-60M <95001-35003-60M>	3.5	1 3
95001-35xxx-4x	95001-35001-60M <95001-35003-60M>	3.5	1 3
95001-35xxx-5x	95001-35001-50M <95001-35003-50M>	3.5	1 3
95001-35xxx-6x	95001-35001-60M <95001-35003-60M>	3.5	1 3
95001-45xxx-2x	95001-45001-50M <95001-45003-50M>	4.5	1 3
95001-45xxx-3x	95001-45001-60M <95001-45003-60M> <95001-45008-60M>	4.5	1 3 8
95001-45xxx-4x	95001-45001-60M <95001-45003-60M> <95001-45008-60M>	4.5	1 3 8
95001-45xxx-5x	95001-45001-50M <95001-45003-50M>	4.5	1 3
95001-45xxx-6x	95001-45001-60M <95001-45003-60M> <95001-45008-60M>	4.5	1 3 8
95001-55xxx-2x	95001-55001-50M <95001-55003-50M> <95001-55008-50M>	5.5	1 3 8

Fuel hoses/Tubes			
Standard part No.	Bulk part No.	Bulk part	
		Inner diameter (mm)	Length (m)
95001-55xxx-3x	95001-55001-60M <95001-55003-60M> <95001-55008-60M>	5.5	1 3 8
95001-55xxx-4x	95001-55001-60M <95001-55003-60M> <95001-55008-60M>	5.5	1 3 8
95001-55xxx-5x	95001-55001-50M <95001-55003-50M> <95001-55008-50M>	5.5	1 3 8
95001-55xxx-6x	95001-55001-60M <95001-55003-60M> <95001-55008-60M>	5.5	1 3 8
95001-75xxx-2x	95001-75001-50M <95001-75003-50M>	7.5	1 3
95001-75xxx-3x	95001-75001-60M <95001-75003-60M> <95001-75008-60M>	7.5	1 3 8
95001-75xxx-4x	95001-75001-60M <95001-75003-60M> <95001-75008-60M>	7.5	1 3 8
95001-75xxx-5x	95001-75001-50M <95001-75003-50M>	7.5	1 3
95001-75xxx-6x	95001-75001-60M <95001-75003-60M> <95001-75008-60M>	7.5	1 3 8
95001-80xxx-2x	95001-80001-50M	8.0	1
95001-80xxx-3x	95001-80001-60M	8.0	1
95001-80xxx-4x	95001-80001-60M	8.0	1
95001-80xxx-5x	95001-80001-50M	8.0	1
95001-80xxx-6x	95001-80001-60M	8.0	1

Vinyl tube				
Standard part No.	Bulk part No.	Bulk part		
		Inner dia- meter (mm)	Outer dia-meter (mm)	Length (m)
95003-01xxx-3x	95003-01001-60M <95003-01003-60M>	2.9	6.8	1 3
95003-01xxx-60	95003-01001-60M <95003-01003-60M>	2.9	6.8	1 3
95003-03xxx-3x	95003-03001-60M <95003-03003-60M>	3.0	6.0	1 3
95003-03xxx-60	95003-03001-60M <95003-03003-60M>	3.0	6.0	1 3
95003-05xxx-3x	95003-05001-60M <95003-05003-60M> <95003-05008-60M>	3.5	6.5	1 3 8
95003-05xxx-60	95003-05001-60M <95003-05003-60M> <95003-05008-60M>	3.5	6.5	1 3 8
95003-07xxx-1x	95003-07001-10M <95003-07003-10M> <95003-07008-10M>	4.0	7.0	1 3 8
95003-07xxx-20	95003-07001-10M <95003-07003-10M> <95003-07008-10M>	4.0	7.0	1 3 8
95003-07xxx-3x	95003-07001-60M <95003-07003-60M> <95003-07008-60M>	4.0	7.0	1 3 8
95003-07xxx-60	95003-07001-60M <95003-07003-60M> <95003-07008-60M>	4.0	7.0	1 3 8
95003-07xxx-7x	95003-07001-70M <95003-07003-70M> <95003-07008-70M>	4.0	7.0	1 3 8
95003-08xxx-1x	95003-08001-10M <95003-08003-10M> <95003-08008-10M>	4.5	6.5	1 3 8
95003-09xxx-3x	95003-09001-60M <95003-09003-60M>	4.5	8.0	1 3
95003-09xxx-60	95003-09001-60M <95003-09003-60M>	4.5	8.0	1 3
95003-10xxx-1x	95003-10001-10M <95003-10003-10M>	5.0	8.0	1 3
95003-10xxx-20	95003-10001-10M <95003-10003-10M>	5.0	8.0	1 3
95003-10xxx-3x	95003-10001-60M <95003-10003-60M>	5.0	8.0	1 3
95003-10xxx-60	95003-10001-60M <95003-10003-60M>	5.0	8.0	1 3
95003-11xxx-3x	95003-11001-60M <95003-11003-60M> <95003-11008-60M>	5.0	9.0	1 3 8
95003-11xxx-60	95003-11001-60M <95003-11003-60M> <95003-11008-60M>	5.0	9.0	1 3 8
95003-12xxx-1x	95003-12001-10M <95003-12003-10M> <95003-12008-10M>	5.0	7.0	1 3 8
95003-12xxx-20	95003-12001-10M <95003-12003-10M> <95003-12008-10M>	5.0	7.0	1 3 8

Vinyl tube				
Standard part No.	Bulk part No.	Bulk part		
		Inner dia- meter (mm)	Outer dia-meter (mm)	Length (m)
95003-14xxx-1x	95003-14001-10M <95003-14003-10M>	6.0	9.0	1 3
95003-14xxx-20	95003-14001-10M <95003-14003-10M>	6.0	9.0	1 3
95003-14xxx-3x	95003-14001-60M <95003-14003-60M>	6.0	9.0	1 3
95003-17xxx-1x	95003-17001-10M <95003-17003-10M>	7.0	9.0	1 3
95003-19xxx-1x	95003-19001-10M <95003-19003-10M> <95003-19008-10M>	7.0	11.0	1 3 8
95003-19xxx-20	95003-19001-10M <95003-19003-10M> <95003-19008-10M>	7.0	11.0	1 3 8
95003-19xxx-3x	95003-19001-60M <95003-19003-60M> <95003-19008-60M>	7.0	11.0	1 3 8
95003-19xxx-60	95003-19001-60M <95003-19003-60M> <95003-19008-60M>	7.0	11.0	1 3 8
95003-21xxx-1x	95003-21001-10M <95003-21003-10M>	8.0	9.0	1 3
95003-21xxx-20	95003-21001-10M <95003-21003-10M>	8.0	9.0	1 3
95003-23xxx-1x	95003-23001-10M <95003-23003-10M>	8.0	12.0	1 3
95003-23xxx-20	95003-23001-10M <95003-23003-10M>	8.0	12.0	1 3
95003-23xxx-3x	95003-23001-60M <95003-23003-60M> <95003-23008-60M>	8.0	12.0	1 3 8
95003-23xxx-60	95003-23001-60M <95003-23003-60M> <95003-23008-60M>	8.0	12.0	1 3 8
95003-25xxx-1x	95003-25001-10M <95003-25003-10M>	9.0	11.0	1 3
95003-25xxx-20	95003-25001-10M <95003-25003-10M>	9.0	11.0	1 3
95003-25xxx-3x	95003-25001-60M <95003-25003-60M>	9.0	11.0	1 3
95003-25xxx-7x	95003-25001-70M <95003-25003-70M>	9.0	11.0	1 3
95003-27xxx-1x	95003-27001-10M <95003-27003-10M>	9.0	13.0	1 3
95003-27xxx-20	95003-27001-10M <95003-27003-10M>	9.0	13.0	1 3
95003-27xxx-3x	95003-27001-60M <95003-27003-60M>	9.0	13.0	1 3
95003-27xxx-60	95003-27001-60M <95003-27003-60M>	9.0	13.0	1 3
95003-33xxx-1x	95003-33001-10M <95003-33003-10M>	10.0	14.0	1 3
95003-33xxx-20	95003-33001-10M <95003-33003-10M>	10.0	14.0	1 3

Vinyl tube				
Standard part No.	Bulk part No.	Bulk part		
		Inner dia- meter (mm)	Outer dia-meter (mm)	Length (m)
95003-36xxx-1x	95003-36001-10M <95003-36003-10M> <95003-36008-10M>	11.0	13.0	1 3 8
95003-36xxx-20	95003-36001-10M <95003-36003-10M> <95003-36008-10M>	11.0	13.0	1 3 8
95003-37xxx-3x	95003-37001-60M <95003-37003-60M>	11.0	15.0	1 3
95003-37xxx-60	95003-37001-60M <95003-37003-60M>	11.0	15.0	1 3
95003-38xxx-1x	95003-38001-10M <95003-38003-10M>	12.0	13.0	1 3
95003-38xxx-20	95003-38001-10M <95003-38003-10M>	12.0	13.0	1 3
95003-39xxx-1x	95003-39001-10M <95003-39003-10M>	12.0	14.0	1 3
95003-39xxx-20	95003-39001-10M <95003-39003-10M>	12.0	14.0	1 3
95003-40xxx-20	95003-40001-10M <95003-40003-10M>	12.0	16.0	1 3
95003-40xxx-3x	95003-40001-60M <95003-40003-60M>	12.0	16.0	1 3
95003-40xxx-60	95003-40001-60M <95003-40003-60M>	12.0	16.0	1 3
95003-43xxx-1x	95003-43001-10M <95003-43003-10M> <95003-43008-10M>	13.0	15.0	1 3 8
95003-43xxx-20	95003-43001-10M <95003-43003-10M> <95003-43008-10M>	13.0	15.0	1 3 8
95003-45xxx-1x	95003-45001-10M <95003-45003-10M> <95003-45008-10M>	14.0	18.0	1 3 8
95003-45xxx-20	95003-45001-10M <95003-45003-10M> <95003-45008-10M>	14.0	18.0	1 3 8
95003-50xxx-1x	95003-50001-10M <95003-50003-10M>	16.0	19.0	1 3
95003-50xxx-20	95003-50001-10M <95003-50003-10M>	16.0	19.0	1 3
95003-50xxx-3x	95003-50001-60M <95003-50003-60M>	16.0	19.0	1 3
95003-55xxx-1x	95003-55001-10M <95003-55003-10M>	17.5	20.5	1 3
95003-55xxx-20	95003-55001-10M <95003-55003-10M>	17.5	20.5	1 3
95003-60xxx-1x	95003-60001-10M <95003-60003-10M>	22.0	27.0	1 3
95003-60xxx-20	95003-60001-10M <95003-60003-10M>	22.0	27.0	1 3
95003-60xxx-3x	95003-60001-60M <95003-60003-60M>	22.0	27.0	1 3
95003-60xxx-60	95003-60001-60M <95003-60003-60M>	22.0	27.0	1 3

General purpose hoses			
Standard part No.	Bulk part No.	Bulk part	
		Inner diameter (mm)	Length (m)
95005-11xxx-3x	95005-11001-30M	11.0	1
95005-11xxx-5x	95005-11001-50M	11.0	1
95005-12xxx-1x	95005-12001-10M <95005-12003-10M>	12.0	1 3
95005-12xxx-2x	95005-12001-20M	12.0	1
95005-12xxx-3x	95005-12001-30M	12.0	1
95005-12xxx-5x	95005-12001-50M	12.0	1
95005-14xxx-1x	95005-14001-10M	14.0	1
95005-14xxx-2x	95005-14001-20M <95005-14003-20M>	14.0	1 3
95005-14xxx-3x	95005-14001-30M	14.0	1
95005-14xxx-5x	95005-14001-50M	14.0	1
95005-17xxx-1x	95005-17001-10M	17.0	1
95005-17xxx-2x	95005-17001-20M	17.0	1
95005-17xxx-3x	95005-17001-30M	17.0	1
95005-17xxx-5x	95005-17001-50M	17.0	1
95005-30xxx-3x	95005-30001-30M	3.0	1
95005-30xxx-5x	95005-30001-50M	3.0	1
95005-35xxx-1x	95005-35001-10M <95005-35003-10M> <95005-35008-10M>	3.5	1 3 8
95005-35xxx-2x	95005-35001-20M	3.5	1
95005-35xxx-3x	95005-35001-30M	3.5	1
95005-35xxx-4x	95005-35001-10M <95005-35003-10M> <95005-35008-10M>	3.5	1 3 8
95005-35xxx-5x	95005-35001-50M	3.5	1
95005-45xxx-1x	95005-45001-10M <95005-45003-10M> <95005-45008-10M>	4.5	1 3 8
95005-45xxx-2x	95005-45001-20M	4.5	1
95005-45xxx-3x	95005-45001-30M	4.5	1

General purpose hoses			
Standard part No.	Bulk part No.	Bulk part	
		Inner diameter (mm)	Length (m)
95005-45xxx-4x	95005-45001-10M <95005-45003-10M> <95005-45008-10M>	4.5	1 3 8
95005-45xxx-5x	95005-45001-50M	4.5	1
95005-50xxx-3x	95005-50001-30M <95005-50003-30M>	5.0	1 3
95005-50xxx-5x	95005-50001-50M	5.0	1
95005-55xxx-1x	95005-55001-10M <95005-55003-10M> <95005-55008-10M>	5.3	1 3 8
95005-55xxx-2x	95005-55001-20M <95005-55003-20M>	5.3	1 3
95005-55xxx-4x	95005-55001-10M <95005-55003-10M> <95005-55008-10M>	5.3	1 3 8
95005-65xxx-1x	95005-65001-10M <95005-65003-10M>	6.5	1 3
95005-65xxx-2x	95005-65001-20M	6.5	1
95005-70xxx-3x	95005-70001-30M <95005-70003-30M>	7.0	1 3
95005-70xxx-5x	95005-70001-50M	7.0	1
95005-75xxx-1x	95005-75001-10M <95005-75003-10M>	7.3	1 3
95005-75xxx-2x	95005-75001-20M	7.3	1
95005-80xxx-1x	95005-80001-10M <95005-80003-10M>	8.0	1 3
95005-80xxx-2x	95005-80001-20M	8.0	1
95005-80xxx-3x	95005-80001-30M	8.0	1
95005-80xxx-5x	95005-80001-50M	8.0	1
95005-91xxx-3x	95005-91001-30M	12.0	1
95005-91xxx-5x	95005-91001-50M	12.0	1
95005-92xxx-3x	95005-92001-30M	12.0	1
95005-92xxx-5x	95005-92001-50M	12.0	1

NOTE: X is displayed to represent the omitted numerals and letters of the roman alphabet.

⊙ **CAUTION: It is DANGEROUS to confuse the fuel hose with the general purpose hose or vinyl hose.**

Never use a general purpose hose or vinyl hose in place of a fuel hose or vice versa. Always use the correct bulk part in the parts catalogue, according to the service manual or the instructions issued with the bulk part.

• Bulk part number of fuel hose, general purpose hose and vinyl hose.

(Example)

9 5 0 0 1 - 7 5 0 0 1 - 5 0 M

**Bulk part number:** Refers to the bulk part.

**Marking code (hose type):** (fuel hose and general purpose hose)

**Change code (for added hose):** (Vinyl hose)

- Indicates number mark or change sequence, however, the code for the bulk part must be strictly 0 (zero).

**Types of code:**

- Fuel hose
  - 2: Red outside braid (3 mm inside dia. only)
  - 5: Black inside braid
  - 3: Red (3 mm inside dia. only)
  - 4: Ash gray with red stripe (3 mm inside dia. only)
  - 6: Black
- Vinyl hose
  - 1: Clear
  - 2: Black
  - 3: Light red
  - 6: Light red
  - 7: Pale black
- General hose
  - 1: Ash gray
  - 2: Ash gray
  - 3: Black
  - 5: Black

**Lengths:** 001: 1 m (standard)  
003: 3 m  
008: 8 m

**I.D code: (fuel hose and general purpose hose)**

- 30: 3.0 mm
- 35: 3.5 mm
- 45: 4.5 mm
- 50: 5.0 mm
- 55: 5.3 mm, 5.5 mm
- 65: 6.5 mm
- 70: 7.0 mm
- 75: 7.3 mm, 7.5 mm
- 80: 8.0 mm
- 11: 11 mm
- 91: 12 mm (outside dia. 15) mm
- 92: 12 mm (outside dia. 16) mm
- 12: 12 mm (outside dia. 17) mm
- 14: 14 mm
- 17: 17 mm

**ID./OD. code: (vinyl hose)**

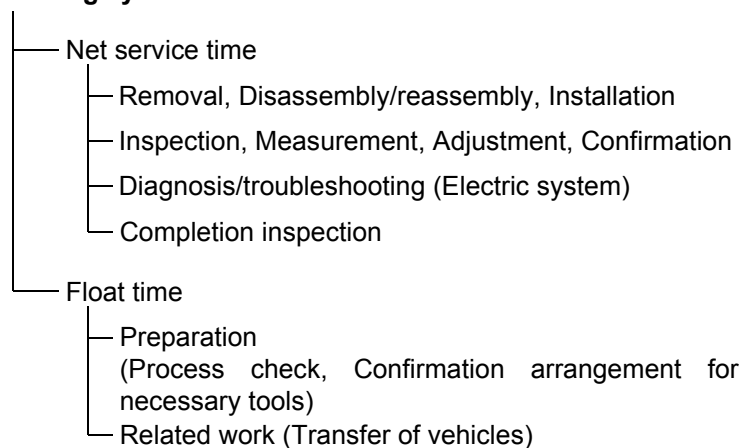
- 01: ID. 2.9, OD. 6.8 mm
- 03: ID. 3.0, OD. 6.0 mm
- 05: ID. 3.5, OD. 6.5 mm
- 07: ID. 4.0, OD. 7.0 mm
- 08: ID. 4.5, OD. 6.5 mm
- 09: ID. 4.5, OD. 8.0 mm
- 12: ID. 5.0, OD. 7.0 mm
- 10: ID. 5.0, OD. 8.0 mm
- 11: ID. 5.0, OD. 9.0 mm
- 14: ID. 6.0, OD. 9.0 mm
- 17: ID. 7.0, OD. 9.0 mm
- 19: ID. 7.0, OD. 11.0 mm
- 21: ID. 8.0, OD. 9.0 mm
- 23: ID. 8.0, OD. 12.0 mm
- 25: ID. 9.0, OD. 11.0 mm
- 27: ID. 9.0, OD. 13.0 mm
- 33: ID. 10.0, OD. 14.0 mm
- 36: ID. 11.0, OD. 13.0 mm
- 37: ID. 11.0, OD. 15.0 mm
- 38: ID. 12.0, OD. 13.0 mm
- 39: ID. 12.0, OD. 14.0 mm
- 40: ID. 12.0, OD. 16.0 mm
- 43: ID. 13.0, OD. 15.0 mm
- 45: ID. 14.0, OD. 18.0 mm
- 50: ID. 16.0, OD. 19.0 mm
- 55: ID. 17.5, OD. 20.5 mm
- 60: ID. 22.0, OD. 27.0 mm

**Hose type:** 1: Fuel hose  
3: Vinyl hose  
5: General hose

## FLAT RATE SERVICE TIME

Flat rate service time (FRT) means the standard time required to service a MC, which is listed in this manual to help the dealers control the actual working process and calculate the service charge by using it as a guide.

### FRT setting system



\* Float time is set by multiplying the net service time by a given coefficient.

### Editorial style

The service items shown in the text are listed with the exchange work time for the repair sales parts as the subject. Other representative service items not using repair parts (removal/installation, adjustment, inspection/measuring, and other work) are listed collectively in the list in the preface, classified according to the work.

### FRT setting standard

- Decimal system (in unit of 0.1) is adopted to set FRT as it is convenient to calculate the wage.  
Example: (0.1) → 6 minutes, (0.2) → 12 minutes  
[Labor cost per hour] x [FRT] = [Wage]
- FRT is set with a hand tool.
- Service items and FRT can be subject to change depending on development of tools and service equipment and improvement in service procedure.

**Work procedure**

- As the work procedure is set with the work time according to the method in the separate Service Manual, refer to this Manual as required.
- Work methods permitting servicing in the shortest time still permitting assurance of safe work and product warranty are used for the setting of service items not listed in the Service Manual.
- Work basically is to be performed by one person, and when two or more people are required, setting is done as the total time for the number of people.
- The set value for the technological level of the workers uses a person with three years of experience in the repair of Honda vehicles as the standard.
- Special tools and service equipment used to set FRT are those specified or recommended in Service Manual.

**Service item whose FRT is not presented**

- Accessories and service parts that are not listed to use in this manual.
  - Locations with little aging deterioration or breakage during normal use.
  - Service work that can be finished by one touch.
  - Service work that is seldom done (i.e. extremely small causes of trouble and service frequency).
- \* When FRT is not presented, please calculate wages based on appropriate actual work time

**Operation not included of FRT**

- Oil and coolant water draining, Waiting time for warming up operation and etc..
- Additional operation that involves removal/installation of standard exterior equipment.
- Indirect time spent for service by visiting the customer, trade-in, and delivery of a MC.
- Indirect time required for ordering and delivery of parts.
- Cost for grease, adhesive agent, etc. used for service work.



**Explanation of FRT by using an example**  
**(The example may differ from the actual presented items)**

Ref. No.	L.O.N.	(Relative ref. Number) Description	F.R.T.
②	111118	(1, 3, 4, 7) CAMSHAFT ..... 4.5	②
③	111118A	⑥ • Includes: Valve clearance adjustment Replace rocker arm add ..... 1.0	⑤

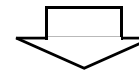
- ① Reference No. of the illustration of part that shows location of the replacement work.
- ② FRT is an abbreviation of Flat Rate Time indicating the standard service time required for the replacement.
- ③ LON is an abbreviation of Labor Operation Number, and it is a classification of the service items by the work unit code.  
  
The same operation code is used regardless of the models.  
  
Standard operation is indicated with 6 digits code, and additional operation is indicated with 7 digits code.
- ④ Indicating the camshaft replacement and FRT4.5.
- ⑤ Indicating FRT1.0 that will be added when additional operation (replace rocker arm) is done in association with camshaft replacement.

- ⑥ Indicating work contents that are included in the service item.
- ⑦ Indicating a reference No. whose operation and time are the same as FRT4.5 for the camshaft.

(The application range is limited to the service items without an LON setting within a same block.)

**How to refer to the service item by using the sample**  
**(camshaft replacement)**

Open to the page of the block where the camshaft's spare part illustration is shown.



Look for the camshaft illustration, and refer to the service item and FRT that agree with the reference No.

Indication mark for the listing of service items that continues to the following page

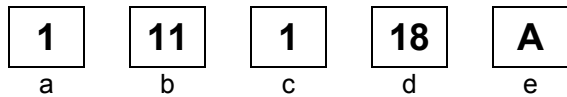
Ref. No.	L.O.N.	(Relative ref. Number) Description	F.R.T.
2	111118	CAMSHAFT .....	4.5
	.	.	.
	.	.	.

+  
Mark indicated at the last line.

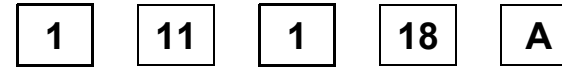
Indication of the block with no setting of FRT

Ref. No.	L.O.N.	(Relative ref. Number) Description	F.R.T.
<b>NO INFORMATION .....</b>			

• LON code system



- a) Category code..... Engine
- b) Location/function code ..... Engine upper
- c) Operation code..... Replace
- d) Operation sequence number (Unit code can be shown with alphabet) ..... camshaft (No regular rule of code)
- e) Additional code ..... replace rocker arm (No regular rule of code)



a) Category codes and classification

Code	Category
1	Engine
2	Transmission
3	Fuel & Exhaust
4	Frame & Body
5	Steering/Suspension
6	Electrical
7	Wheels/Brakes
8	Controls/instrument
9	-
0	-

c) Operation codes and classification

Code	Operation category
1	Replace, Removal/Installation, Change
2	Overhaul
3	Adjust, Balance
4	(Paint-related work: Top-coat)
5	Test, Inspect/diagnose, Measurement, Check
6	(Overhaul-related work: Rebore)
7	(Overhaul-related work: Reseal)
8	(Resurface)
9	(Paint-related work: Refinish)
0	Repair, Cleaning, Air bleeding

Major service items without using spare parts

(1) Removal/Installation, (2) Adjustment, (3) Inspection/Measurement, (4) Overhaul, (5) Other work

[ E: Engine, F: Frame ]

### \* OPERATIONS OTHER THAN REPLACING PARTS

#### (1) Removal and installation

Set for the configuration with the parts removed from the vehicle.

	LON	DESCRIPTION	FRT
E	1101E5	<b>TILTING ENGINE ASSEMBLY-REMOVAL/INSTALLATION</b> INCLUDES: All necessary adjustment	1.9
	1111K0	<b>CYLINDER HEAD ASSEMBLY-REMOVAL/INSTALLATION</b>	1.7
	3111D6	<b>CARBURETOR ASSEMBLY-REMOVAL/INSTALLATION</b>	0.5
	1101E6	<b>CRANKCASE SEPARATION</b> INCLUDES: Engine removal and installation	4.1

#### (2) Adjustment

	LON	DESCRIPTION	FRT
E	3113A0	<b>CARBURETOR IDLE-ADJUSTMENT</b>	0.1
	6143A1	<b>SPARK PLUG-ADJUSTMENT/CLEANING</b>	0.2
	1113A0	<b>VALVE CLEARANCE-ADJUSTMENT</b> NOTE: For 1 vehicle	0.8
F	2133A0	<b>DRIVE CHAIN-ADJUSTMENT</b>	0.1
	3113A3	<b>THROTTLE OPERATION-ADJUSTMENT</b>	0.1

#### (3) Inspection, Measurement

	LON	DESCRIPTION	FRT
E	1115A0	<b>COMPRESSION PRESSURE-MEASUREMENT</b>	0.3
	3115A0	<b>CARBURETOR FLOAT LEVEL-MEASUREMENT</b>	0.8
	6145A0	<b>IGNITION TIMING-INSPECTION</b>	0.3
	2105A0	<b>TRANSMISSION OIL-INSPECTION</b> EXCLUDES: Oil change	0.1
	1135A0	<b>ENGINE OIL-INSPECTION</b> EXCLUDES: Oil change	0.1
F	7115A0	<b>BRAKE OPERATION-TEST</b>	0.1

#### (4) Overhaul

Work condition: The required Measurements, inspections, adjustments, and cleaning/washing of each part are performed, including the main body removal/installation work and the replacement of defective parts.

	LON	DESCRIPTION	FRT
E	311200	<b>CARBURETOR-OVERHAUL</b> INCLUDES: All necessary adjustment	1.0

#### (5) Other work

	LON	DESCRIPTION	FRT
E	1130A1	<b>OIL FILTER SCREEN-CLEANING</b> INCLUDES: Engine removal and installation	4.1
F	3120A0	<b>CLEANER ELEMENT-CLEANING</b>	0.2
	7110A0	<b>FRONT BRAKE-AIR BLEEDING</b>	0.2
	7110A1	<b>REAR BRAKE-AIR BLEEDING</b>	0.2
	1151E7	<b>RADIATOR COOLANT-CHANGE</b>	0.3

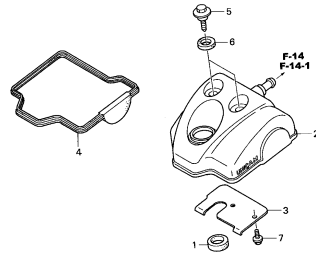
# ENGINE GROUP

C 1

E-1

CYLINDER HEAD COVER

D 1

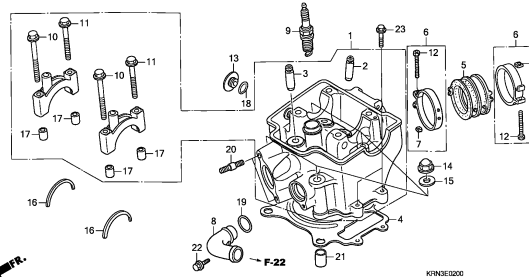


KRN4-E0100A

E-2

CYLINDER HEAD

D 2

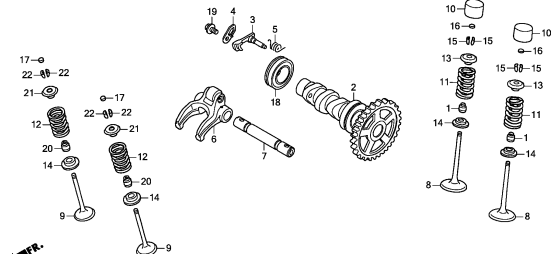


KINKE0200

E-3

CAMSHAFT/VALVE

D 4

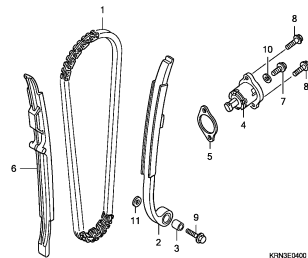


KINKE0300

E-4

CAM CHAIN/TENSIONER

D 9

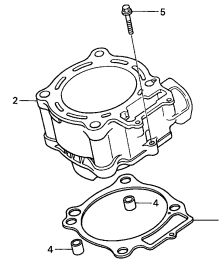


KINKE0400

E-5

CYLINDER

D10

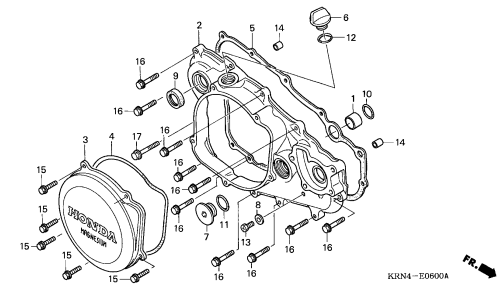


KRN4-E0500A

E-6

R. CRANKCASE COVER

D11

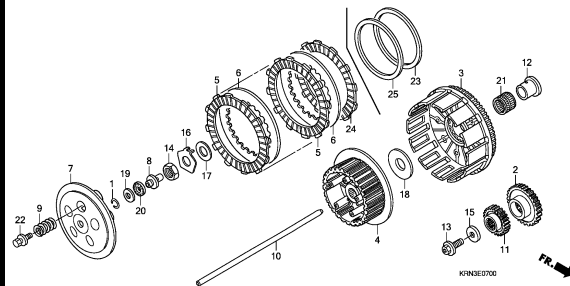


KRN4-E0600A

E-7

CLUTCH

D12

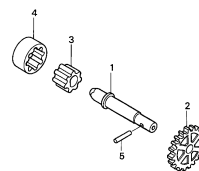


KINKE0700

E-8

OIL PUMP

D14

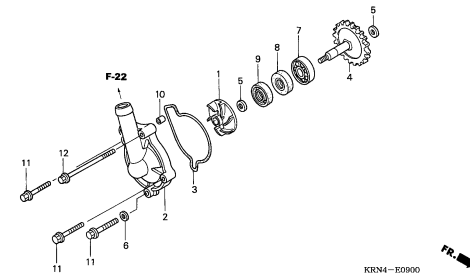


KRN4-E0800

E-9

WATER PUMP

D15



KRN4-E0900

2

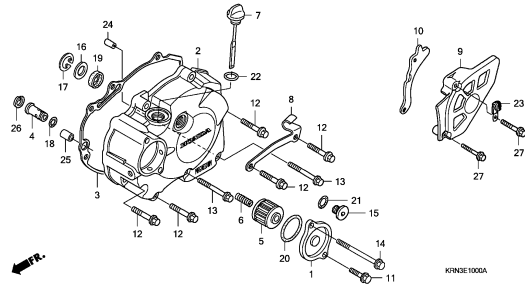
# ENGINE GROUP

C 2

E-10

L. CRANKCASE COVER

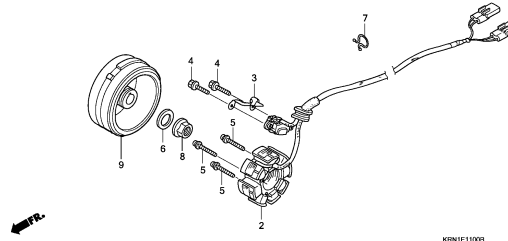
D16



E-11

GENERATOR

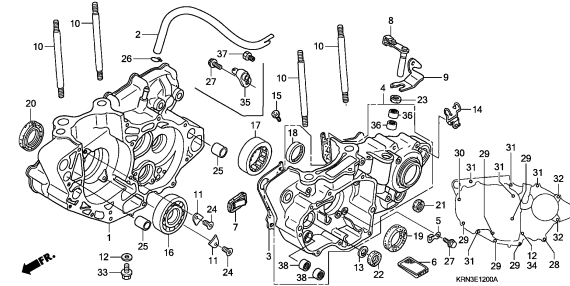
E 2



E-12

CRANKCASE

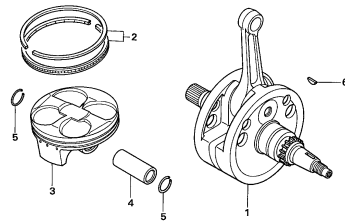
E 3



E-13

CRANKSHAFT/PISTON

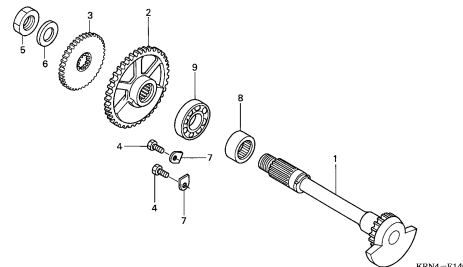
E 6



E-14

BALANCER

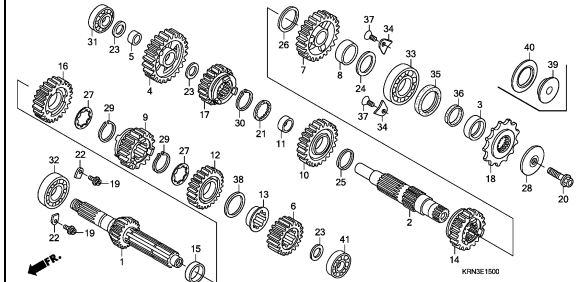
E 7



E-15

TRANSMISSION

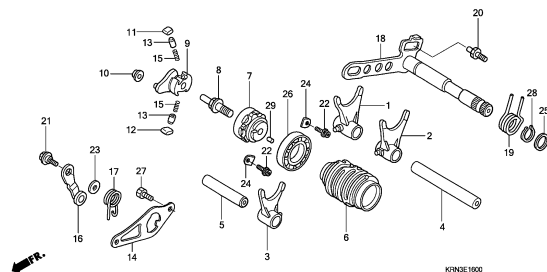
E 8



E-16

GEARSHIFT DRUM

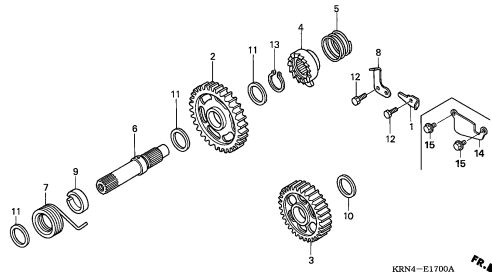
E11



E-17

KICK STARTER SPINDLE

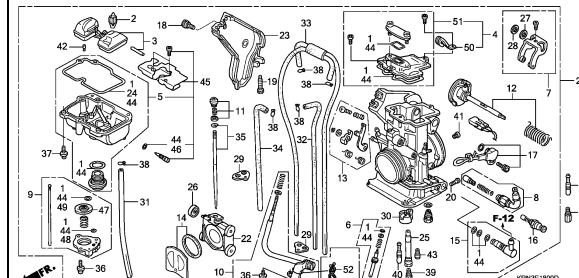
E13



E-18

CARBURETOR

E14



2

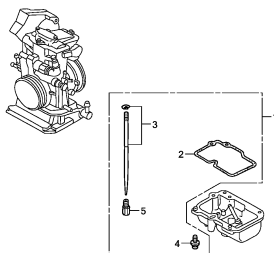
# ENGINE GROUP

C 3

E-18-1

CARBURETOR O.P. KIT

F 3

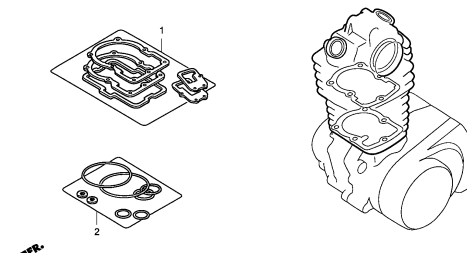


KIN021801

EOP-1

GASKET KIT A

F 5

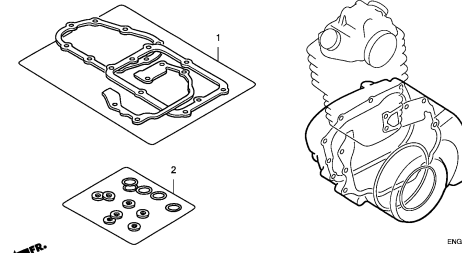


ENG1X00018

EOP-2

GASKET KIT B

F 6



ENG2X00018

2

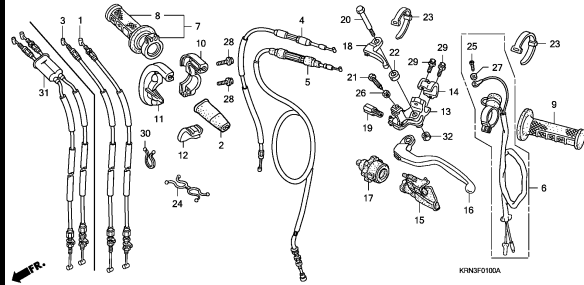
# FRAME GROUP

C 4

F-1

HANDLE LEVER/SWITCH/CABLE

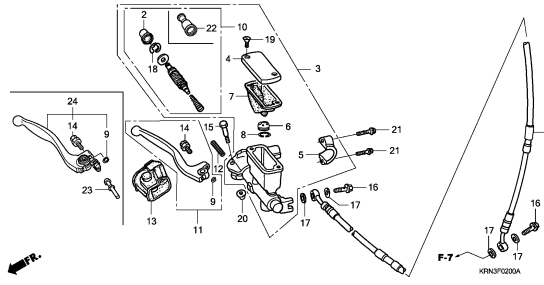
G 1



F-2

FR. BRAKE MASTER CYLINDER

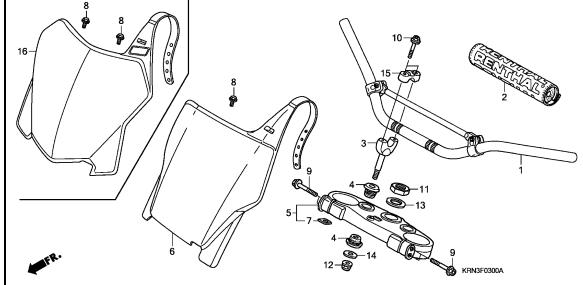
G 3



F-3

HANDLE PIPE/TOP BRIDGE

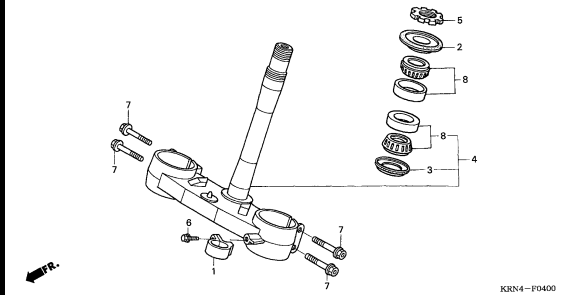
G 5



F-4

STEERING STEM (CRF250R4/5/6/7)

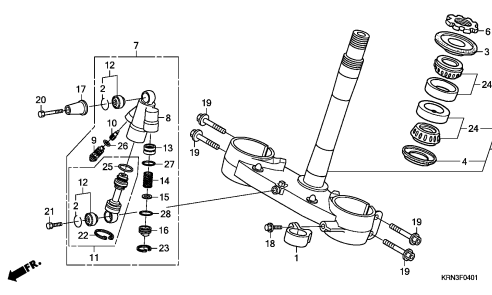
G 6



F-4-1

STEERING STEM(CRF250R8)/STEERING DAMPER

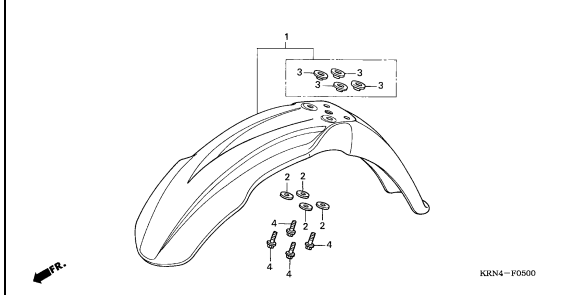
G 7



F-5

FRONT FENDER

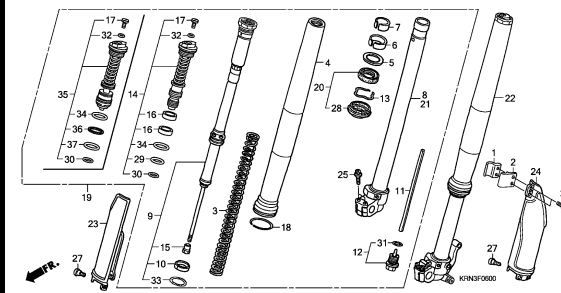
G 9



F-6

FRONT FORK

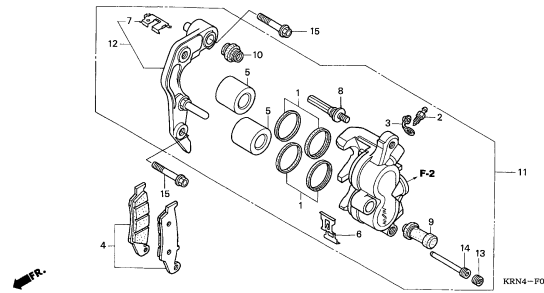
G10



F-7

FRONT BRAKE CALIPER

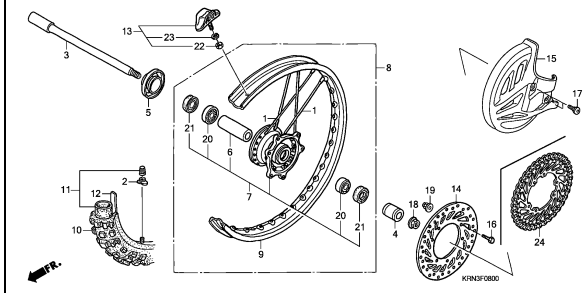
G13



F-8

FRONT WHEEL

G14



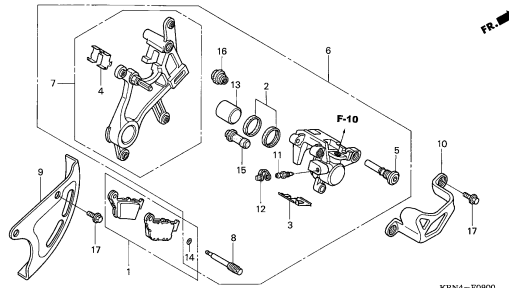
# FRAME GROUP

C 5

F-9

REAR BRAKE CALIPER

G16

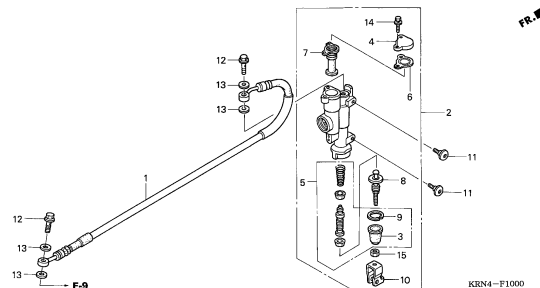


KRN4-P0800

F-10

RR. BRAKE MASTER CYLINDER

H 1

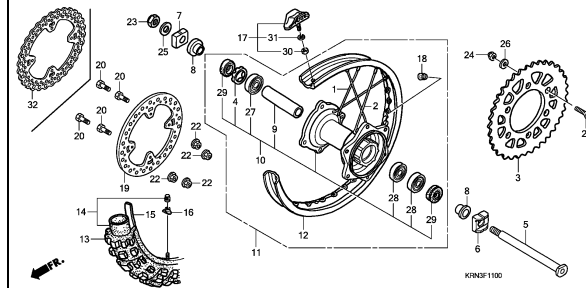


KRN4-F1000

F-11

REAR WHEEL

H 3

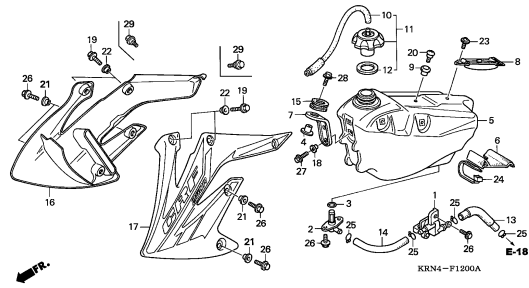


KRN4-F1100

F-12

FUEL TANK

H 5

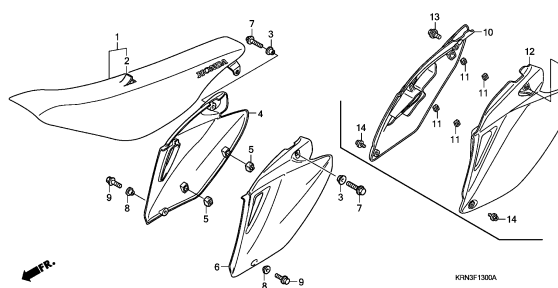


KRN4-F1200A

F-13

SEAT/SIDE COVER

H 7

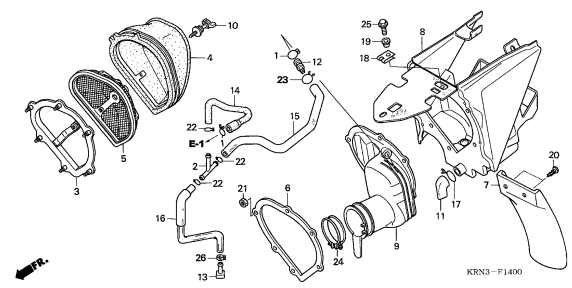


KRN4-F1300A

F-14

AIR CLEANER(CRF250R4/5)

H 8

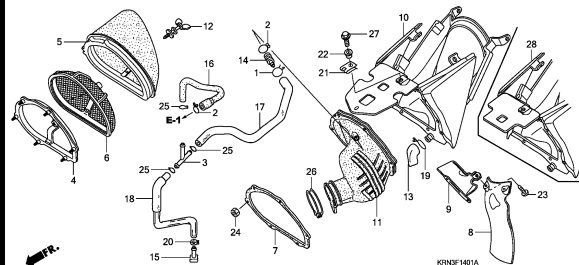


KRN3-F1400

F-14-1

AIR CLEANER (CRF250R6/7/8)

H10

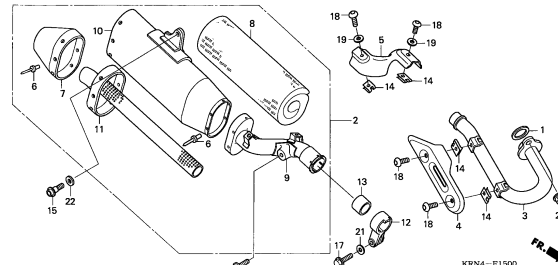


KRN3-1401A

F-15

EXHAUST MUFFLER (CRF250R4)

H12

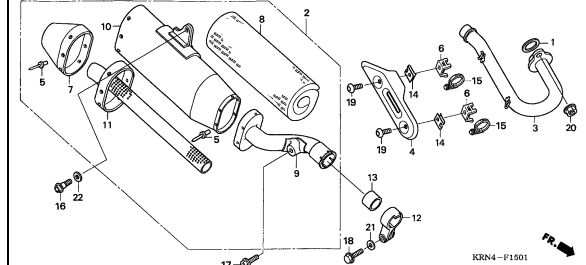


KRN4-F1500

F-15-1

EXHAUST MUFFLER (CRF250R5)

H13



KRN4-F1501

3



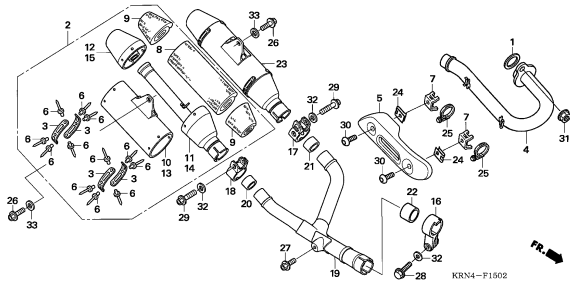
# FRAME GROUP

C 6

F-15-2

EXHAUST MUFFLER (CRF250R6)

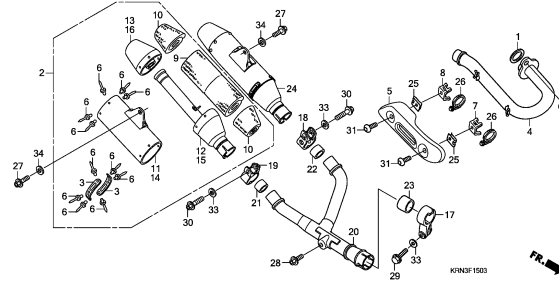
H14



F-15-3

EXHAUST MUFFLER (CRF250R7/8)

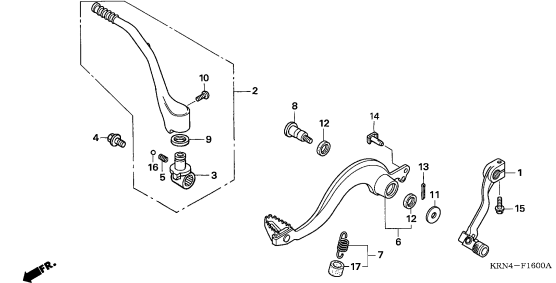
H16



F-16

PEDAL/KICK STARTER ARM

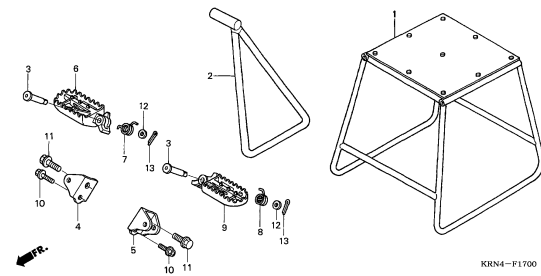
I 2



F-17

STAND/STEP

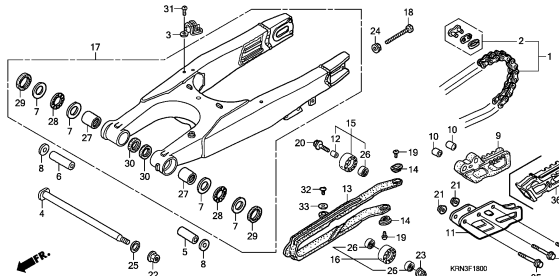
I 3



F-18

SWINGARM

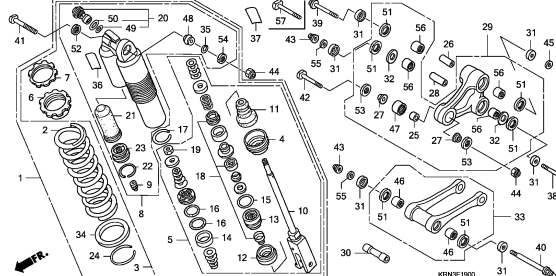
I 4



F-19

REAR CUSHION

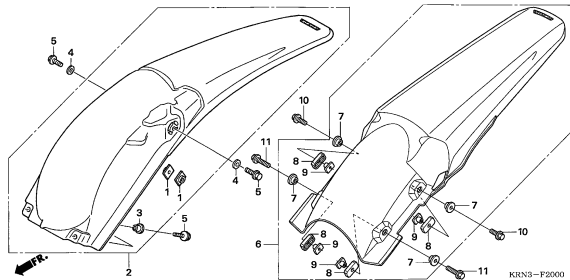
I 7



F-20

REAR FENDER

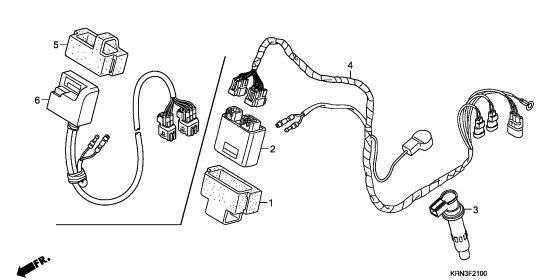
I11



F-21

WIRE HARNESS

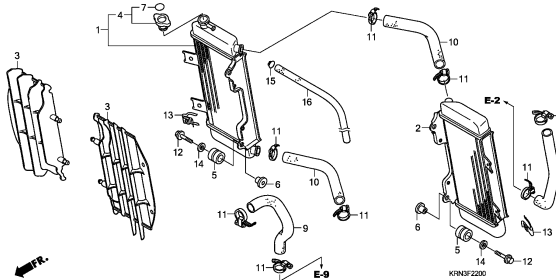
I12



F-22

RADIATOR

I13



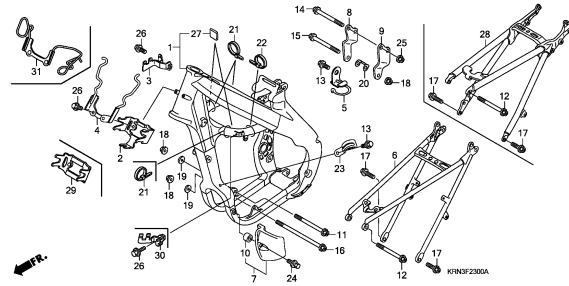
# FRAME GROUP

C 7

F-23

FRAME BODY

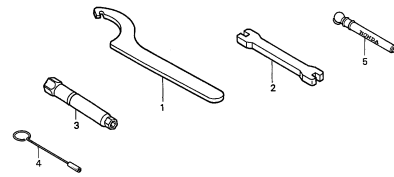
I15



F-24

TOOLS

J 1

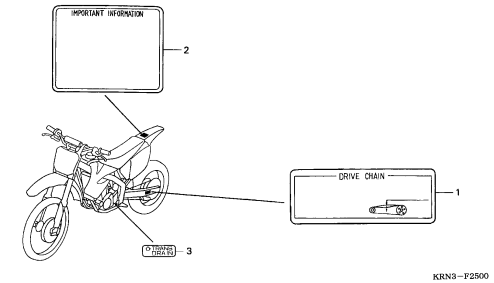


KRN4-P2400

F-25

CAUTION LABEL

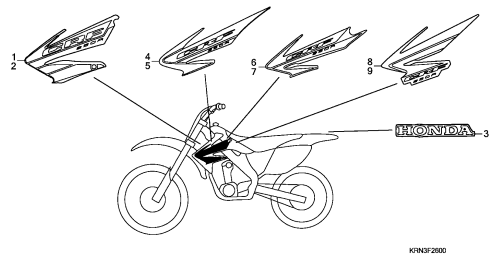
J 2



F-26

MARK(CRF250R4/5/6/7)

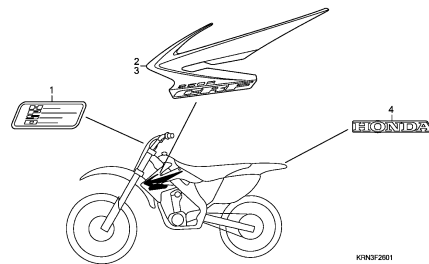
J 3



F-26-1

MARK(CRF250R8)

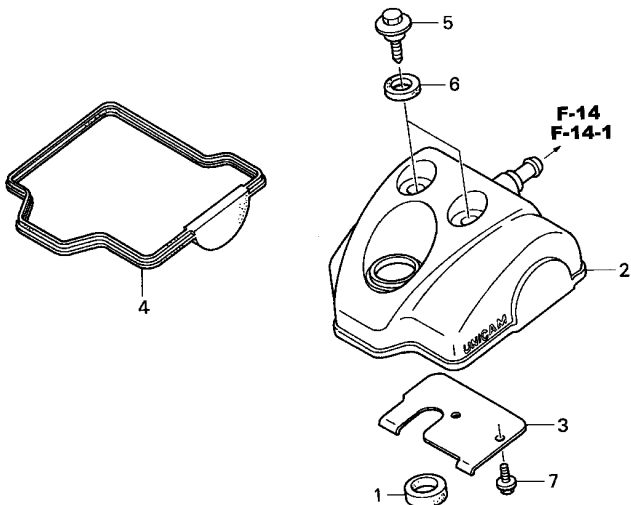
J 4



E-1

CYLINDER HEAD COVER

**D 1**



KRN4-E0100A

Ref. No.	L.O.N.	(Relative ref. Number) Description	F.R.T.
2	1111C4	COVER, CYLINDER HEAD .....	0.3
4		(1)	
	1111D2	GASKET, CYLINDER HEAD COVER ..	0.3

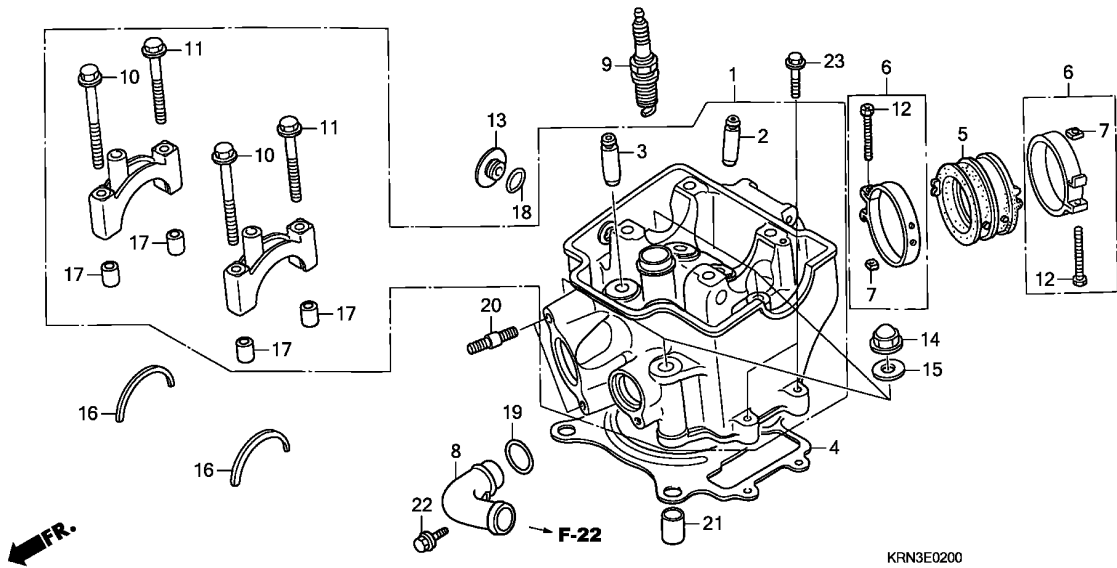
Ref. No.	Part No.	Description	Reqd. QTY					Serial No.	Parts catalogue code
			4	5	6	7	8		
1	12226-MEB-670	SEAL, RING .....	1	1	1	1	1		
2	12310-KRN-670	COVER COMP., CYLINDER HEAD ..	1	1	1	1	1		
3	12316-KRN-670	PLATE, BREATHER .....	1	1	1	1	1		
4	12391-KRN-670	GASKET, HEAD COVER .....	1	1	1	1	1		
5	90017-MY9-790	BOLT, HEAD COVER .....	2	2	2	2	2		
6	90543-MV9-670	RUBBER, MOUNTING .....	2	2	2	2	2		
7	96300-06012-00	BOLT, FLANGE, 6X12 .....	2	2	2	2	2		

**2**

E-2

CYLINDER HEAD

D 2



Ref. No.	L.O.N.	(Relative ref. Number) Description	F.R.T.
1	111106	HEAD, CYLINDER ..... .INCLUDES: Valve adjust and reface	3.1
2	1111L9	GUIDE, INTAKE VALVE(ONE) ..... .INCLUDES: Reaming .INCLUDES: Valve adjust and reface	2.6
	1111L9A	.Replace all intake valve guide add .....	0.3
	1111M9	GUIDE, VALVE :FOR 1 VEHICLE .. .INCLUDES: Reaming .INCLUDES: Valve adjust and reface	3.5
3	1111M0	GUIDE, EXHAUST VALVE(ONE) .... .INCLUDES: Reaming .INCLUDES: Valve adjust and reface	2.6
	1111MOA	.Replace all exhaust valve guide add .....	0.3
	1111M9	GUIDE, VALVE :FOR 1 VEHICLE .. .INCLUDES: Reaming .INCLUDES: Valve adjust and reface	3.5
4	111115	GASKET, CYLINDER HEAD .....	1.7

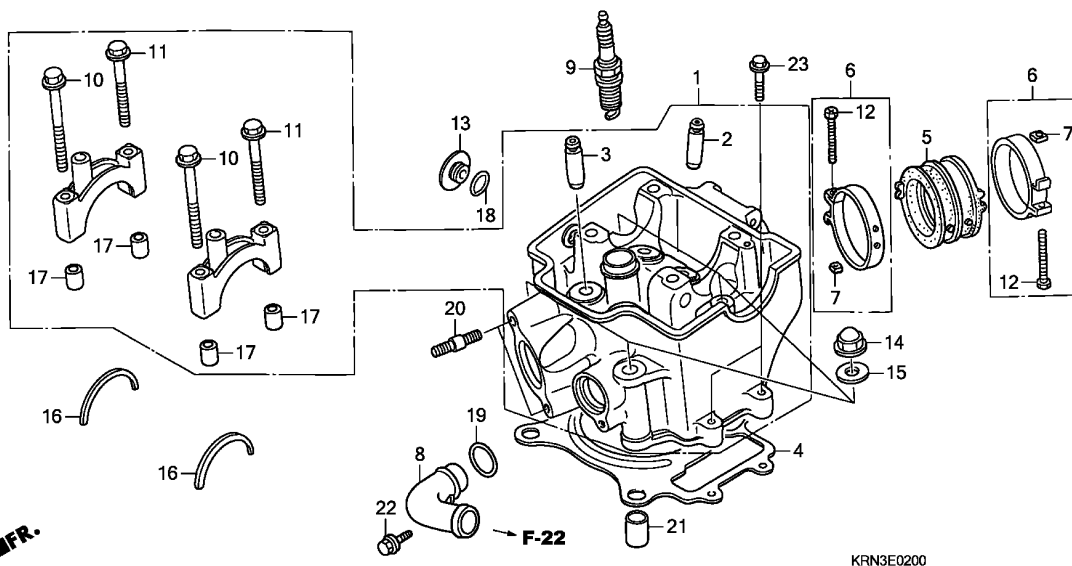
Ref. No.	Part No.	Description	Reqd. QTY					Serial No.	Parts catalogue code
			4	5	6	7	8		
1	12010-KRN-670	HEAD ASSY., CYLINDER .....	1	-	-	-	-	2006059 ED,U	
	12010-KRN-671	.....	1	-	-	-	-	2006060 ED,U	
	12010-KRN-672	.....	1	-	-	-	-	2050849 ED/A,U/A	
	12010-KRN-730	.....	-	1	-	-	-	2050850 ED/A,U/A	
	12010-KRN-850	.....	-	-	1	-	-		
	12010-KRN-A00	.....	-	-	-	1	-		
	12010-KRN-A10	.....	-	-	-	-	1		
2	12204-KRN-P00	GUIDE, IN. VALVE (O.S.) .....	2	2	2	2	2		
3	12205-KRN-P00	GUIDE, EX. VALVE (O.S.) .....	2	2	2	2			
	12205-KRN-P10	.....	-	-	-	-	2		
4	12251-KRN-671	GASKET, CYLINDER HEAD .....	1	-	-	-	-		
	12251-KRN-731	.....	-	1	1	1	1		
5	16211-KRN-670	INSULATOR, CARBURETOR .....	1	1	-	-	-		
	16211-KRN-850	.....	-	-	1	1	1		
6	16218-MCJ-000	BAND B, INSULATOR .....	2	2	2	2	2		
7	16222-MV4-300	NUT, SQUARE, 5MM .....	2	2	2	2	2		
8	19523-MEB-670	PIPE, WATER .....	1	-	-	-	-		
	19523-KRN-730	JOINT, WATER .....	-	1	1	1	1		
9	31911-MBW-E11	PLUG, SPARK (IMR8C-9H) (NGK) ..	1	-	-	-	-		
	31912-MBW-E11	PLUG, SPARK (IMR9C-9H) (NGK) ..	(1)	-	-	-	-		
	31921-MBW-E12	PLUG, SPARK (VUH24D) (DENSO) ..	1	-	-	-	-		
	31922-MBW-E12	PLUG, SPARK (VUH27D) (DENSO) ..	(1)	-	-	-	-		
	31911-KRN-731	PLUG, SPARK (R0409B-8) (NGK) ..	-	1	1	1	1		
	31912-KRN-731	PLUG, SPARK (R0409B-9) (NGK) ..	-	(1)	(1)	(1)	(1)		
10	90001-KRN-670	BOLT, FLANGE, 7X60 .....	2	2	2	2	2		
11	90002-KRN-670	BOLT, FLANGE, 7X50 .....	2	2	2	2	2		

2

E-2

CYLINDER HEAD

D 3

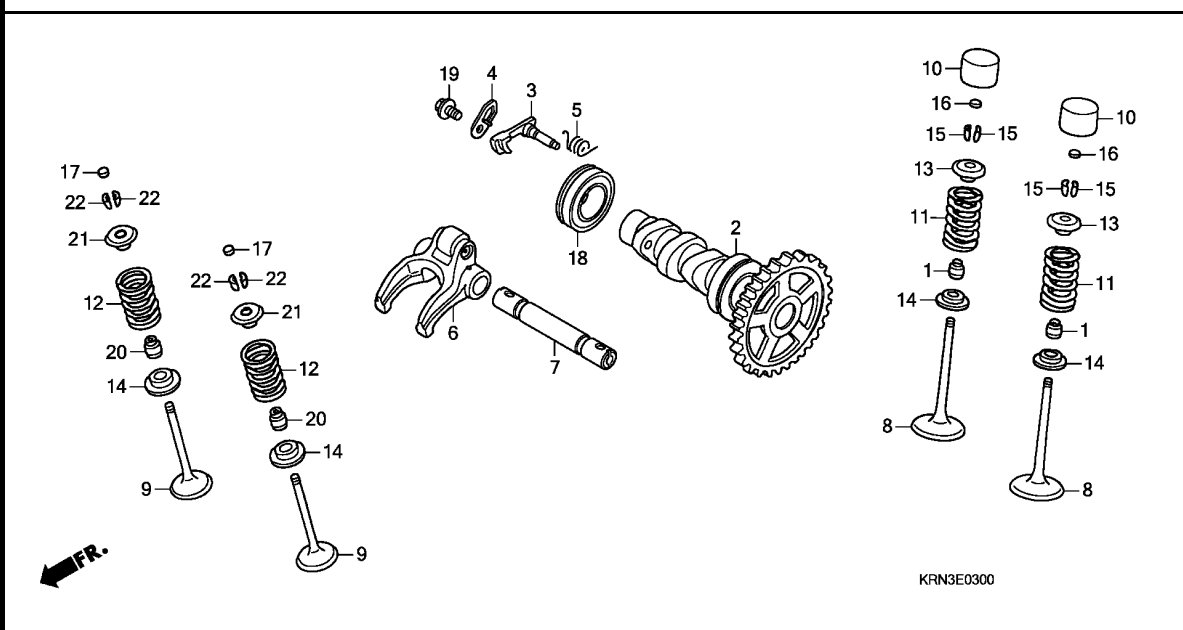


Ref. No.	L.O.N.	(Relative ref. Number) Description	F.R.T.
5	311131	INSULATOR, THROTTLE BODY/ CARBURETOR .....	0.5
8	1141F4	PIPE, WATER OUTLET :FRONT ....	0.4
9	614130	PLUG, SPARK .....	0.2

KRN3E0200

Ref. No.	Part No.	Description	Reqd. QTY					Serial No.	Parts catalogue code
			4	5	6	7	8		
12	90005-MCJ-000	BOLT, RECESSED, 5X28 .....	2	2	2	2	2		
13	90084-MEN-670	CAP, 14MM .....	1	1	1	1	1		
14	90232-MB6-680	NUT, CAP, 9MM .....	4	4	4	4	4		
15	90401-KRN-670	WASHER, PLAIN, 9MM .....	4	4	4	4	4		
16	90446-KRN-670	WASHER, CAMSHAFT THRUST .....	2	2	2	2	2		
17	90701-MR7-000	DOWEL PIN, 9X14 .....	4	4	4	4	4		
18	91303-377-000	O-RING, 13.8X2.5 .....	1	1	1	1	1		
19	91312-KE7-003	O-RING, 19X3(NOK) .....	1	1	1	1	1		
20	92900-08022-0B	BOLT, STUD, 8X22 .....	2	2	2	2	2		
21	94301-12200	DOWEL PIN, 12X20 .....	2	2	2	2	2		
22	96001-06014-00	BOLT, FLANGE, 6X14 .....	1	-	-	-	-		
	96001-06020-00	BOLT, FLANGE, 6X20 .....	-	1	1	1	1		
23	96001-06028-00	BOLT, FLANGE, 6X28 .....	2	2	2	2	2		

2



Ref. No.	L.O.N.	(Relative ref. Number) Description	F.R.T.
2	111118	CAMSHAFT ..... .INCLUDES: Valve adjustment	1.1
3	1111T7	WEIGHT, DECOMPRESSION ..... (7)	0.7
6	1111K9	ARM, EXHAUST VALVE ROCKER(ONE) .INCLUDES: Valve adjustment	0.8
8	1111N0	VALVE, INTAKE(ONE) ..... .INCLUDES: Refacing	2.1
	1111NOA	.Replace all intake valve add	0.2
	1111PO	VALVE :FOR 1 VEHICLE ..... .INCLUDES: Refacing	2.7
9	1111N1	VALVE, EXHAUST(ONE) ..... .INCLUDES: Refacing	2.1
	1111N1A	.Replace all exhaust valve add	0.2
	1111PO	VALVE :FOR 1 VEHICLE ..... .INCLUDES: Refacing	2.7
11	1111P2	SPRING AND/OR STEM SEAL, INTAKE VALVE(ONE) ..... (1,13,14,15)	1.9
	1111P2A	.Replace all intake spring add	0.1
	1111Q2	SPRING AND/OR STEM SEAL, VALVE :FOR 1 VEHICLE ..... (14,20,21,22)	2.2
12	1111P3	SPRING AND/OR STEM SEAL, EXHAUST VALVE(ONE) ..... +	1.9

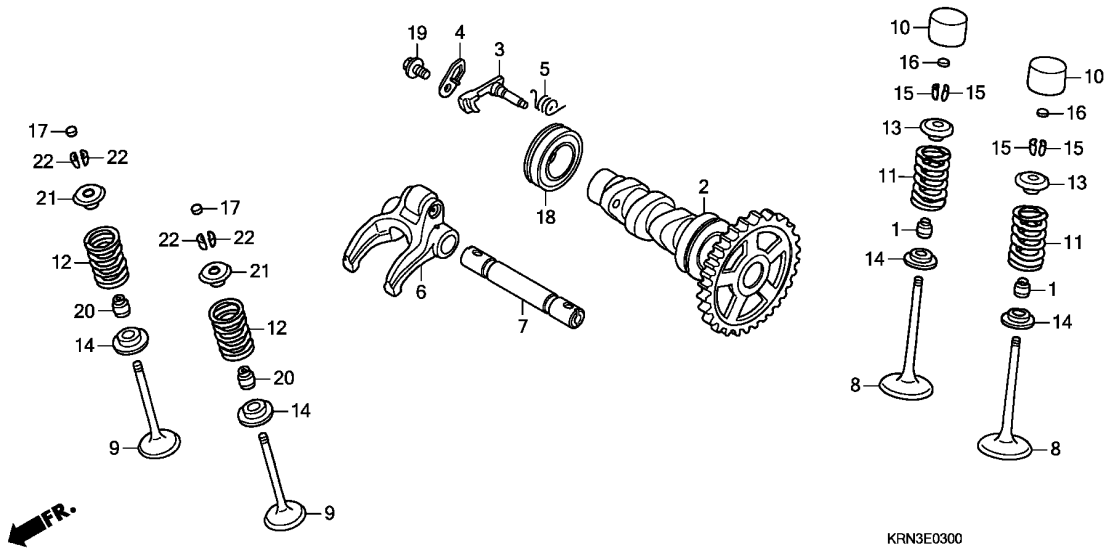
Ref. No.	Part No.	Description	Reqd. QTY					Serial No.	Parts catalogue code
			4	5	6	7	8		
1	12209-GB4-681	SEAL, VALVE STEM (NOK) .....	2	2	2	2	2		
2	14100-KRN-670	CAMSHAFT COMP. ....	1	-	1	-	-		
	14100-KRN-730	.....	-	1	-	-	-		
	14100-KRN-A00	.....	-	-	-	1	-		
	14100-KRN-A10	.....	-	-	-	-	1		
3	14102-KRN-670	WEIGHT, DECOMPRESSION .....	1	1	1	1	1		
4	14105-KRN-670	PLATE, WEIGHT SETTING .....	1	1	1	1	1		
5	14106-KRN-670	SPRING, DECOMPRESSION .....	1	1	1	-	-		
	14106-KRN-A00	.....	-	-	-	1	1		
6	14440-KRN-670	ARM COMP., EX. ROCKER .....	1	1	1	1	-		
	14440-KRN-A10	.....	-	-	-	-	1		
7	14451-KRN-670	SHAFT, EX. ROCKER ARM .....	1	-	-	-	-	ED,U	
			1	-	-	-	-	2052388 ED/A,U/A	
	14451-KSC-670	.....	1	-	-	-	-	2052389 ED/A,U/A	
			-	1	-	-	-		
	14451-KSC-671	.....	-	-	1	1	-		
	14451-KRN-A10	.....	-	-	-	-	1		
8	14711-KRN-670	VALVE, IN. ....	2	2	2	2	2		
9	14721-KRN-670	VALVE, EX. ....	2	2	2	2	-		
	14721-KRN-A10	.....	-	-	-	-	2		
10	14731-KRN-670	LIFTER, VALVE .....	2	2	2	-	-		
	14731-KRN-A00	.....	-	-	-	2	2		
11	14751-KRN-670	SPRING, IN. VALVE .....	2	2	2	-	-		
	14751-KRN-A00	.....	-	-	-	-	2		
	14751-KRN-A10	.....	-	-	-	-	2		
12	14761-KRN-670	SPRING, EX. VALVE .....	2	2	2	-	-		
			-	-	-	2	-	2300115 ED,U	



E-3

CAMSHAFT/VALVE

D 5



Ref. No.	L.O.N.	(Relative ref. Number) Description	F.R.T.
+12	1111P3A	.Replace all exhaust spring add .....	0.1
	1111Q2	SPRING AND/OR STEM SEAL, VALVE :FOR 1 VEHICLE .....	2.2
18	1111Q5	BEARING, CAMSHAFT .....	1.0

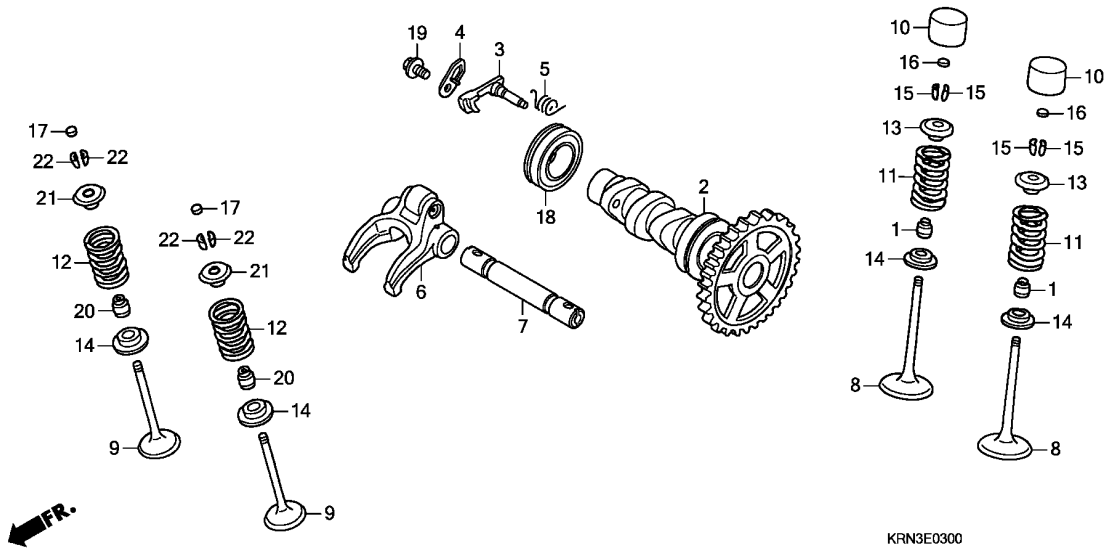
Ref. No.	Part No.	Description	Reqd. QTY				Serial No.	Parts catalogue code
			4	5	6	7		
12)	14761-KRN-671	SPRING, EX. VALVE .....	-	-	-	2	-	----- ED/A,ED/B,U/A,U/B
	14761-KRN-A11	.....	-	-	-	2	2300116	----- ED,U
13	14771-KRN-670	RETAINER, VALVE SPRING .....	2	2	2	2	-	-
	14771-KRN-A00	.....	-	-	-	2	-	-
	14772-KRN-A10	.....	-	-	-	2	-	-
14	14775-KRN-670	SEAT, VALVE SPRING .....	4	4	4	4	4	4
15	14781-MAT-000	COTTER, VALVE .....	4	4	4	4	4	4
16	14901-KT7-013	SHIM, TAPPET (1.200) .....	2	2	2	2	2	2
	14902-KT7-013	SHIM, TAPPET (1.225) .....	2	2	2	2	2	2
	14903-KT7-013	SHIM, TAPPET (1.250) .....	2	2	2	2	2	2
	14904-KT7-013	SHIM, TAPPET (1.275) .....	2	2	2	2	2	2
	14905-KT7-013	SHIM, TAPPET (1.300) .....	2	2	2	2	2	2
	14906-KT7-013	SHIM, TAPPET (1.325) .....	2	2	2	2	2	2
	14907-KT7-013	SHIM, TAPPET (1.350) .....	2	2	2	2	2	2
	14908-KT7-013	SHIM, TAPPET (1.375) .....	2	2	2	2	2	2
	14909-KT7-013	SHIM, TAPPET (1.400) .....	2	2	2	2	2	2
	14910-KT7-013	SHIM, TAPPET (1.425) .....	2	2	2	2	2	2
	14911-KT7-013	SHIM, TAPPET (1.450) .....	2	2	2	2	2	2
	14912-KT7-013	SHIM, TAPPET (1.475) .....	2	2	2	2	2	2
	14913-KT7-013	SHIM, TAPPET (1.500) .....	2	2	2	2	2	2
	14914-KT7-013	SHIM, TAPPET (1.525) .....	2	2	2	2	2	2
	14915-KT7-013	SHIM, TAPPET (1.550) .....	2	2	2	2	2	2
	14916-KT7-013	SHIM, TAPPET (1.575) .....	2	2	2	2	2	2
	14917-KT7-013	SHIM, TAPPET (1.600) .....	2	2	2	2	2	2
	14918-KT7-013	SHIM, TAPPET (1.625) .....	2	2	2	2	2	2
	14919-KT7-013	SHIM, TAPPET (1.650) .....	2	2	2	2	2	2
	14920-KT7-013	SHIM, TAPPET (1.675) .....	2	2	2	2	2	2

2

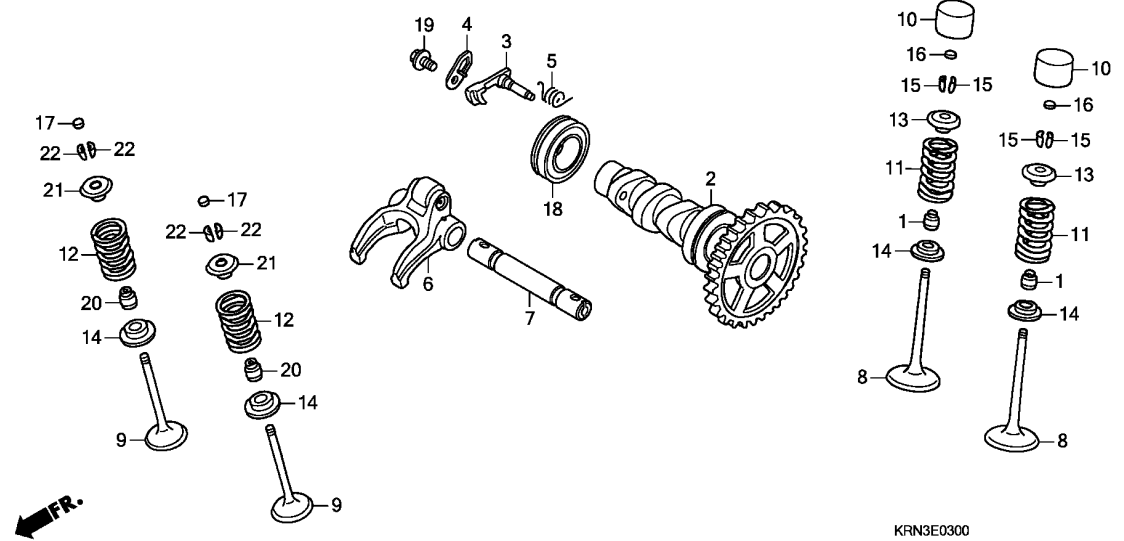
Ref. No.	Part No.	Description	Reqd. QTY					Serial No.	Parts catalogue code
			4	5	6	7	8		
16)	14921-KT7-013	SHIM, TAPPET (1.700) .....	2	2	2	2	2		
	14922-KT7-013	SHIM, TAPPET (1.725) .....	2	2	2	2	2		
	14923-KT7-013	SHIM, TAPPET (1.750) .....	2	2	2	2	2		
	14924-KT7-013	SHIM, TAPPET (1.775) .....	2	2	2	2	2		
	14925-KT7-013	SHIM, TAPPET (1.800) .....	2	2	2	2	2		
	14926-KT7-013	SHIM, TAPPET (1.825) .....	2	2	2	2	2		
	14927-KT7-013	SHIM, TAPPET (1.850) .....	2	2	2	2	2		
	14928-KT7-013	SHIM, TAPPET (1.875) .....	2	2	2	2	2		
	14929-KT7-013	SHIM, TAPPET (1.900) .....	2	2	2	2	2		
	14930-KT7-013	SHIM, TAPPET (1.925) .....	2	2	2	2	2		
	14931-KT7-013	SHIM, TAPPET (1.950) .....	2	2	2	2	2		
	14932-KT7-013	SHIM, TAPPET (1.975) .....	2	2	2	2	2		
	14933-KT7-013	SHIM, TAPPET (2.000) .....	2	2	2	2	2		
	14934-KT7-013	SHIM, TAPPET (2.025) .....	2	2	2	2	2		
	14935-KT7-013	SHIM, TAPPET (2.050) .....	2	2	2	2	2		
	14936-KT7-013	SHIM, TAPPET (2.075) .....	2	2	2	2	2		
	14937-KT7-013	SHIM, TAPPET (2.100) .....	2	2	2	2	2		
	14938-KT7-013	SHIM, TAPPET (2.125) .....	2	2	2	2	2		
	14939-KT7-013	SHIM, TAPPET (2.150) .....	2	2	2	2	2		
	14940-KT7-013	SHIM, TAPPET (2.175) .....	2	2	2	2	2		
	14941-KT7-013	SHIM, TAPPET (2.200) .....	2	2	2	2	2		
	14942-KT7-013	SHIM, TAPPET (2.225) .....	2	2	2	2	2		
	14943-KT7-013	SHIM, TAPPET (2.250) .....	2	2	2	2	2		
	14944-KT7-013	SHIM, TAPPET (2.275) .....	2	2	2	2	2		
	14945-KT7-013	SHIM, TAPPET (2.300) .....	2	2	2	2	2		
	14946-KT7-013	SHIM, TAPPET (2.325) .....	2	2	2	2	2		
	14947-KT7-013	SHIM, TAPPET (2.350) .....	2	2	2	2	2		
	14948-KT7-013	SHIM, TAPPET (2.375) .....	2	2	2	2	2		
	14949-KT7-013	SHIM, TAPPET (2.400) .....	2	2	2	2	2		
	14950-KT7-013	SHIM, TAPPET (2.425) .....	2	2	2	2	2		
	14951-KT7-013	SHIM, TAPPET (2.450) .....	2	2	2	2	2		
17	14901-KT7-013	SHIM, TAPPET (1.200) .....	2	2	2	2	2		
	14902-KT7-013	SHIM, TAPPET (1.225) .....	2	2	2	2	2		
	14903-KT7-013	SHIM, TAPPET (1.250) .....	2	2	2	2	2		
	14904-KT7-013	SHIM, TAPPET (1.275) .....	2	2	2	2	2		
	14905-KT7-013	SHIM, TAPPET (1.300) .....	2	2	2	2	2		
	14906-KT7-013	SHIM, TAPPET (1.325) .....	2	2	2	2	2		
	14907-KT7-013	SHIM, TAPPET (1.350) .....	2	2	2	2	2		
	14908-KT7-013	SHIM, TAPPET (1.375) .....	2	2	2	2	2		
	14909-KT7-013	SHIM, TAPPET (1.400) .....	2	2	2	2	2		
	14910-KT7-013	SHIM, TAPPET (1.425) .....	2	2	2	2	2		
	14911-KT7-013	SHIM, TAPPET (1.450) .....	2	2	2	2	2		
	14912-KT7-013	SHIM, TAPPET (1.475) .....	2	2	2	2	2		
	14913-KT7-013	SHIM, TAPPET (1.500) .....	2	2	2	2	2		
	14914-KT7-013	SHIM, TAPPET (1.525) .....	2	2	2	2	2		
	14915-KT7-013	SHIM, TAPPET (1.550) .....	2	2	2	2	2		
	14916-KT7-013	SHIM, TAPPET (1.575) .....	2	2	2	2	2		
	14917-KT7-013	SHIM, TAPPET (1.600) .....	2	2	2	2	2		
	14918-KT7-013	SHIM, TAPPET (1.625) .....	2	2	2	2	2		
	14919-KT7-013	SHIM, TAPPET (1.650) .....	2	2	2	2	2		
	14920-KT7-013	SHIM, TAPPET (1.675) .....	2	2	2	2	2		
	14921-KT7-013	SHIM, TAPPET (1.700) .....	2	2	2	2	2		
	14922-KT7-013	SHIM, TAPPET (1.725) .....	2	2	2	2	2		
	14923-KT7-013	SHIM, TAPPET (1.750) .....	2	2	2	2	2		
	14924-KT7-013	SHIM, TAPPET (1.775) .....	2	2	2	2	2		
	14925-KT7-013	SHIM, TAPPET (1.800) .....	2	2	2	2	2		
	14926-KT7-013	SHIM, TAPPET (1.825) .....	2	2	2	2	2		
	14927-KT7-013	SHIM, TAPPET (1.850) .....	2	2	2	2	2		







Ref. No.	Part No.	Description	Reqd. QTY					Serial No.	Parts catalogue code
			4	5	6	7	8		
17)	14928-KT7-013	SHIM, TAPPET (1.875)	2	2	2	2	2		
	14929-KT7-013	SHIM, TAPPET (1.900)	2	2	2	2	2		
	14930-KT7-013	SHIM, TAPPET (1.925)	2	2	2	2	2		
	14931-KT7-013	SHIM, TAPPET (1.950)	2	2	2	2	2		
	14932-KT7-013	SHIM, TAPPET (1.975)	2	2	2	2	2		
	14933-KT7-013	SHIM, TAPPET (2.000)	2	2	2	2	2		
	14934-KT7-013	SHIM, TAPPET (2.025)	2	2	2	2	2		
	14935-KT7-013	SHIM, TAPPET (2.050)	2	2	2	2	2		
	14936-KT7-013	SHIM, TAPPET (2.075)	2	2	2	2	2		
	14937-KT7-013	SHIM, TAPPET (2.100)	2	2	2	2	2		
	14938-KT7-013	SHIM, TAPPET (2.125)	2	2	2	2	2		
	14939-KT7-013	SHIM, TAPPET (2.150)	2	2	2	2	2		
	14940-KT7-013	SHIM, TAPPET (2.175)	2	2	2	2	2		
	14941-KT7-013	SHIM, TAPPET (2.200)	2	2	2	2	2		
	14942-KT7-013	SHIM, TAPPET (2.225)	2	2	2	2	2		
	14943-KT7-013	SHIM, TAPPET (2.250)	2	2	2	2	2		
	14944-KT7-013	SHIM, TAPPET (2.275)	2	2	2	2	2		
	14945-KT7-013	SHIM, TAPPET (2.300)	2	2	2	2	2		
	14946-KT7-013	SHIM, TAPPET (2.325)	2	2	2	2	2		
	14947-KT7-013	SHIM, TAPPET (2.350)	2	2	2	2	2		
	14948-KT7-013	SHIM, TAPPET (2.375)	2	2	2	2	2		
	14949-KT7-013	SHIM, TAPPET (2.400)	2	2	2	2	2		
	14950-KT7-013	SHIM, TAPPET (2.425)	2	2	2	2	2		
	14951-KT7-013	SHIM, TAPPET (2.450)	2	2	2	2	2		
	14952-KT7-013	SHIM, TAPPET (2.475)	2	2	2	2	2		
	14953-KT7-013	SHIM, TAPPET (2.500)	2	2	2	2	2		
	14954-KT7-013	SHIM, TAPPET (2.525)	2	2	2	2	2		
	14955-KT7-013	SHIM, TAPPET (2.550)	2	2	2	2	2		
	14956-KT7-013	SHIM, TAPPET (2.575)	2	2	2	2	2		

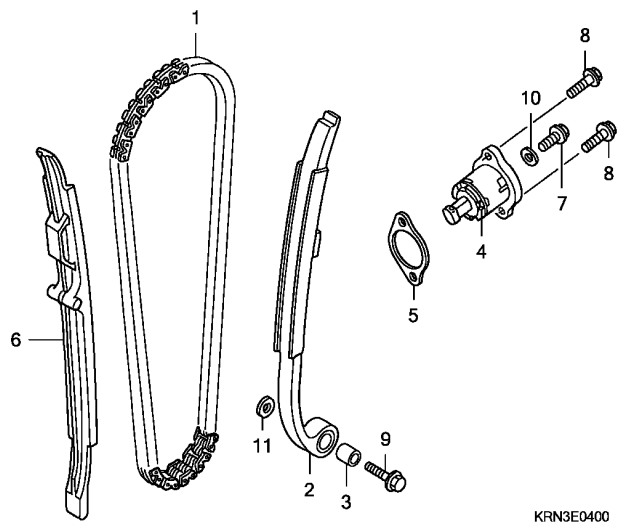


Ref. No.	Part No.	Description	Reqd. QTY					Serial No.	Parts catalogue code
			4	5	6	7	8		
17)	14957-KT7-013	SHIM, TAPPET (2.600) .....	2	2	2	2	2		
	14958-KT7-013	SHIM, TAPPET (2.625) .....	2	2	2	2	2		
	14959-KT7-013	SHIM, TAPPET (2.650) .....	2	2	2	2	2		
	14960-KT7-013	SHIM, TAPPET (2.675) .....	2	2	2	2	2		
	14961-KT7-013	SHIM, TAPPET (2.700) .....	2	2	2	2	2		
	14962-KT7-013	SHIM, TAPPET (2.725) .....	2	2	2	2	2		
	14963-KT7-013	SHIM, TAPPET (2.750) .....	2	2	2	2	2		
	14964-KT7-013	SHIM, TAPPET (2.775) .....	2	2	2	2	2		
	14965-KT7-013	SHIM, TAPPET (2.800) .....	2	2	2	2	2		
	14966-KT7-013	SHIM, TAPPET (2.825) .....	2	2	2	2	2		
	14967-KT7-013	SHIM, TAPPET (2.850) .....	2	2	2	2	2		
	14968-KT7-013	SHIM, TAPPET (2.875) .....	2	2	2	2	2		
	14969-KT7-013	SHIM, TAPPET (2.900) .....	2	2	2	2	2		
18	91007-KRN-671	BEARING, BALL RADIAL, 6905 ..	1	1	1	1	1		
19	96001-06012-00	BOLT, FLANGE, 6X12 .....	1	1	1	1	1		
20	12209-GB4-681	SEAL, VALVE STEM (NOK) .....	2	2	2	2	-		
	12208-MLO-721	SEAL, EX. VALVE STEM (ARAI) ..	-	-	-	-	2		
21	14771-KRN-670	RETAINER, VALVE SPRING .....	2	2	2	-	-		
	14771-KRN-A00	.....	-	-	-	2	-		
	14771-KRN-A11	.....	-	-	-	-	2		
22	14781-MAT-000	COTTER, VALVE .....	4	4	4	4	-		
	14781-MLO-720	.....	-	-	-	-	4		

E-4

CAM CHAIN/TENSIONER

D 9



Ref. No.	L.O.N.	(Relative ref. Number) Description	F.R.T.
1	110140	CHAIN, CAM .....	1.1
2	111130	TENSIONER, CAM CHAIN .....	1.1
4	111133	LIFTER, TENSIONER .....	0.2
6	111139	GUIDE, CAM CHAIN .....	1.7

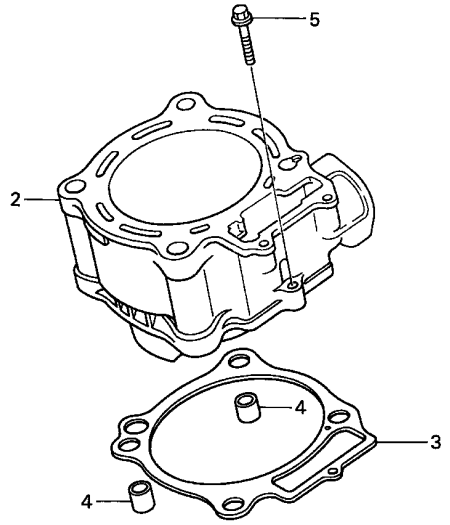
Ref. No.	Part No.	Description	Reqd. QTY					Serial No.	Parts catalogue code
			4	5	6	7	8		
1	14401-KRN-671	CHAIN, CAM (104L) (BORG WARNER)	1	1	1	1	1		
2	14510-KRN-670	TENSIONER COMP., CAM CHAIN ..	1	1	1	1	1		
3	14515-KFO-000	COLLAR, TENSIONER, 6X9 .....	1	1	1	1	1		
4	14520-KRN-670	LIFTER ASSY., TENSIONER .....	1	-	-	-	-	----- ED,U	
	14520-KRN-671	.....	1	-	-	-	-	----- 2052388 ED/A,U/A	
			-	1	1	1	1	2052389 ----- ED/A,U/A	
5	14560-MEN-671	GASKET, TENSIONER LIFTER ....	1	1	1	1	1		
6	14620-KRN-670	GUIDE, CAM CHAIN .....	1	1	1	1	1		
7	90004-GHB-600	BOLT, FLANGE, 6X10(NSHF) ....	1	1	1	1	1		
8	90004-GHB-630	BOLT, FLANGE, 6X16(NSHF) ....	2	2	2	2	2		
9	90088-MEB-670	BOLT, FLANGE, 6X25 .....	1	1	1	1	1		
10	90442-397-000	WASHER, SEALING, 6MM .....	1	1	1	1	1		
11	90482-567-000	WASHER, SPECIAL, 6MM .....	1	1	1	1	1		

2

E-5

CYLINDER

D10



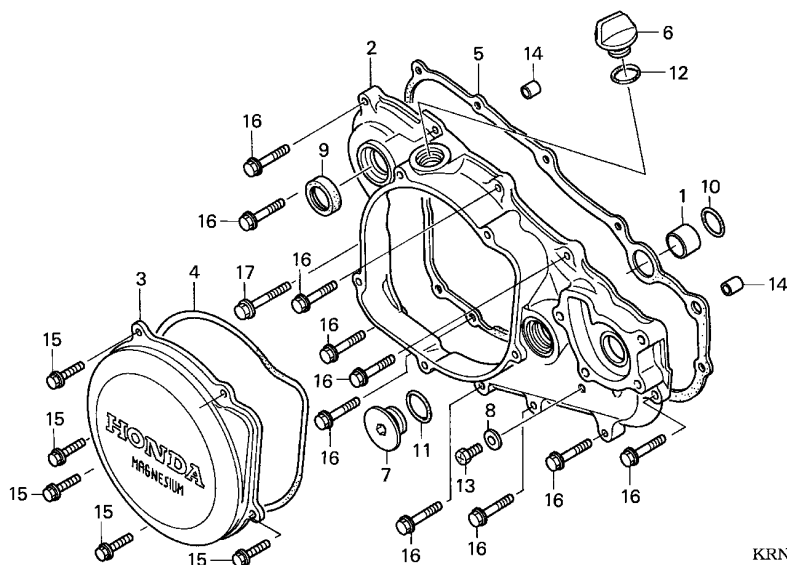
KRN4-E0500A

FR.

Ref. No.	L.O.N.	(Relative ref. Number) Description	F.R.T.
2	1111A5	CYLINDER .....	2.1
3	111102	GASKET, CYLINDER .....	2.0

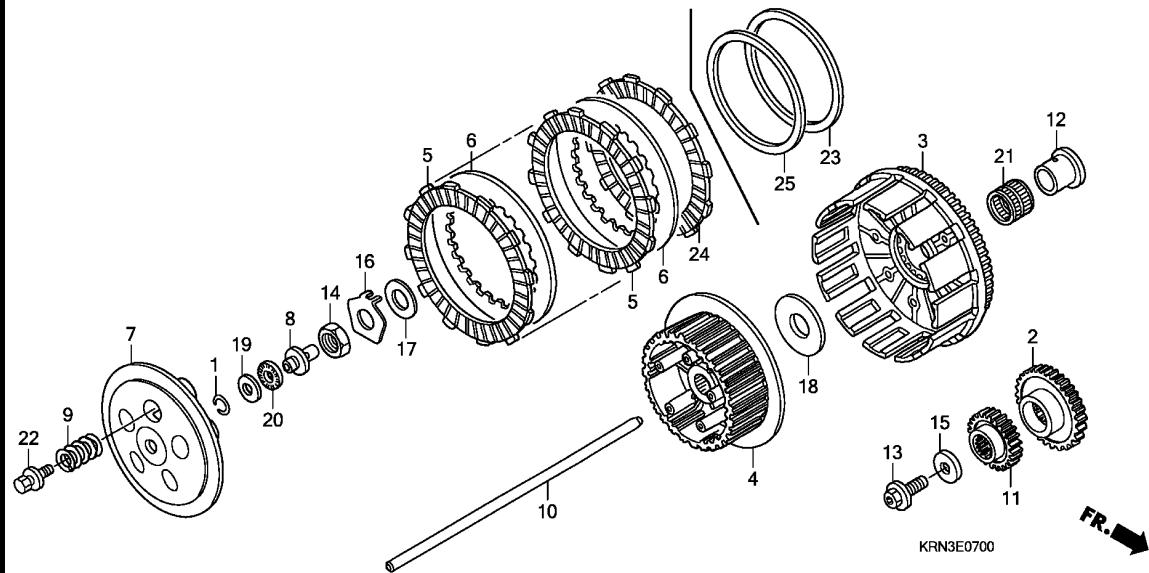
Ref. No.	Part No.	Description	Reqd. QTY					Serial No.	Parts catalogue code
			4	5	6	7	8		
2	12100-KRN-670	CYLINDER .....	1	-	-	-	-	----- ED,U	
	12100-KRN-671	.....	1	-	-	-	----- 2054823	ED/A,U/A	
	12100-KRN-672	.....	1	-	-	-	2054824	----- ED/A,U/A	
	12100-KRN-730	.....	-	1	1	1	1		
3	12191-KRN-671	GASKET, CYLINDER .....	1	-	-	-	-		
	12191-KRN-731	.....	-	1	1	1	1		
4	94301-12200	DOWEL PIN, 12X20 .....	2	2	2	2	2		
5	96001-06028-00	BOLT, FLANGE, 6X28 .....	1	1	1	1	1		

2



Ref. No.	L.O.N.	(Relative ref. Number) Description	F.R.T.
2	110159	COVER, CRANKCASE :RIGHT	1.0
3		(4)	
	212121	COVER, CLUTCH	0.2
5	110158	GASKET, CRANKCASE COVER :RIGHT	0.7
9	112105	OIL SEAL, KICK STARTER SPINDLE	0.7

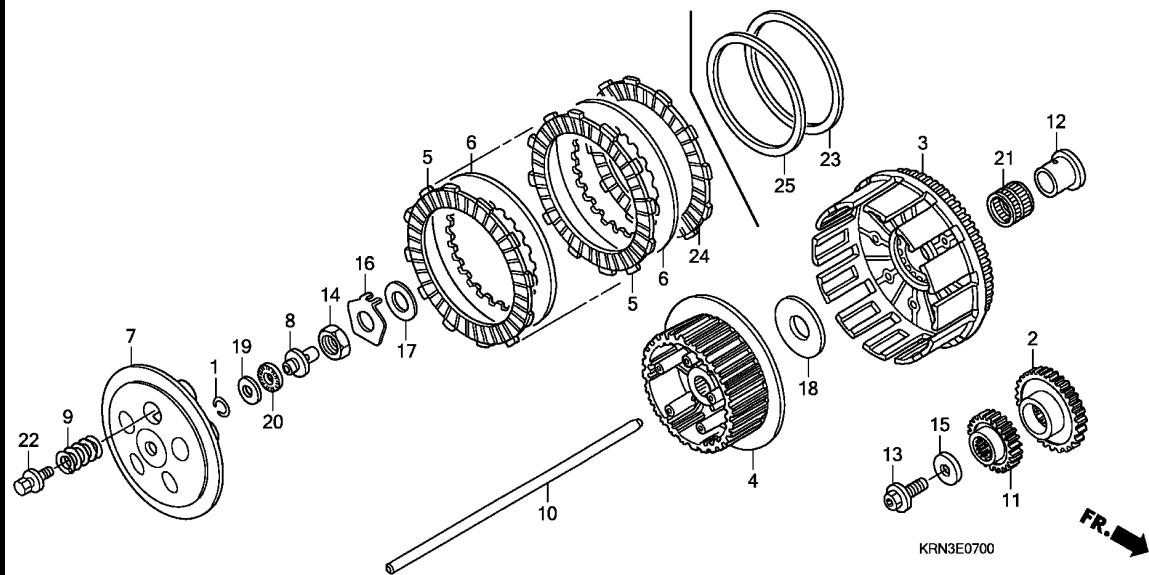
Ref. No.	Part No.	Description	Reqd. QTY					Serial No.	Parts catalogue code
			4	5	6	7	8		
1	11102-KRN-670	COLLAR, WATER PASS, 16MM	1	1	1	1	1		
2	11331-KRN-670	COVER, R. CRANKCASE	1	-	-	-	-		
	11331-KRN-730	.....	-	1	1	1	1		
3	11351-KRN-670	COVER, CLUTCH	1	1	1	1	1		
4	11352-KRN-671	GASKET, CLUTCH COVER	1	1	1	1	1		
5	11394-KRN-670	GASKET, R. COVER	1	1	1	-	-		
	11394-KRN-A00	.....	-	-	-	1	1		
6	15611-KA4-710	CAP, OIL FILLER	1	1	1	1	1		
7	90087-KW3-000	CAP, 30MM	1	1	1	1	1		
8	90463-ML7-000	WASHER, SEALING, 6.5MM	1	1	1	1	1		
9	91205-KA3-712	OIL SEAL, 16.5X25X5(NOK)	1	1	1	1	1		
10	91304-MJ0-003	O-RING, 15.8X2.4(SHOWA)	1	1	1	1	1		
11	91305-KF0-003	O-RING, 27X2(ARAI)	1	1	1	1	1		
12	91307-035-000	O-RING, 18X3	1	1	1	1	1		
13	92301-06010-0A	BOLT, RECESSED, 6X10	1	1	1	-	-		
	90004-GHB-600	BOLT, FLANGE, 6X10(NSHF)	-	-	-	1	1		
14	94301-08140	DOWEL PIN, 8X14	2	2	2	2	2		
15	96001-06020-00	BOLT, FLANGE, 6X20	5	5	5	5	5		
16	96001-06028-00	BOLT, FLANGE, 6X28	10	10	10	10	10		
17	96001-06035-00	BOLT, FLANGE, 6X35	1	1	1	1	1		



Ref. No.	L.O.N.	(Relative ref. Number) Description	F.R.T.
2	110183	GEAR, BALANCER DRIVE .....	1.1
3		(12,21)	
4	2121A0	OUTER, CLUTCH .....	1.1
5	212112	CENTER, CLUTCH .....	0.6
		(6,23,24,25)	
	2121A1	DISC, CLUTCH FRICTION .....	0.4
		.NOTE: Same time for two units or more	
7	2121A3	PLATE, CLUTCH PRESSURE .....	0.3
8		(19,20)	
	2121A5	PIECE, CLUTCH JOINT .....	0.3
9	212107	SPRING, CLUTCH .....	0.3
		.NOTE: Same time for two units or more	
10	2121B6	ROD, CLUTCH LIFTER .....	0.3
11	211105	GEAR, PRIMARY DRIVE .....	1.1

Ref. No.	Part No.	Description	Reqd. QTY					Serial No.	Parts catalogue code
			4	5	6	7	8		
1	13115-147-000	CLIP, PISTON PIN, 10MM .....	1	1	1	1	1		
2	13415-KRN-670	GEAR, BALANCER DRIVE (32T) ..	1	1	1	1	1		
	13415-KRN-A10	.....	-	-	-	-	1		
3	22100-KRN-670	OUTER COMP., CLUTCH .....	1	1	1	-	-		
	22100-KRN-A00	.....	-	-	-	1	1		
4	22120-KZ4-A90	CENTER, CLUTCH .....	1	1	1	-	-		
	22120-KRN-A00	.....	-	-	-	1	1		
5	22201-KRN-670	DISK, CLUTCH FRICTION .....	7	7	7	7	-		
	22201-KRN-A10	.....	-	-	-	-	7		
6	22321-KF0-770	PLATE, CLUTCH .....	7	7	7	7	7		
7	22351-KZ4-A90	PLATE, CLUTCH PRESSURE .....	1	1	1	1	-		
	22351-KRN-A10	.....	-	-	-	-	1		
8	22352-KRN-670	PIECE, CLUTCH LIFTER .....	1	1	1	1	1		
9	22401-KZ4-A90	SPRING, CLUTCH .....	5	-	-	-	-		
	22401-KRN-730	.....	-	5	5	5	-		
	22401-KRN-A10	.....	-	-	-	-	5		
10	22850-KZ4-A90	ROD, CLUTCH LIFTER .....	1	1	1	1	1		
11	23121-KRN-670	GEAR, PRIMARY DRIVE (18T) ...	1	1	1	-	-		
	23121-KRN-A00	.....	-	-	-	1	1		
12	28237-KZ4-A10	COLLAR, CLUTCH OUTER .....	1	1	1	1	1		
13	90013-MEB-670	BOLT, SPECIAL, 12X28 .....	1	1	1	1	1		
14	90235-KA4-000	NUT, 18MM .....	1	1	1	1	1		
15	90402-KW6-960	WASHER, PLAIN, 12MM .....	1	1	1	1	1		
16	90441-HA2-670	WASHER, LOCK, 18MM .....	1	1	1	1	1		
17	90456-KA4-000	WASHER, THRUST, 18X32 .....	1	1	1	1	1		
18	90456-KS6-000	WASHER, THRUST, 20MM .....	1	1	1	1	1		



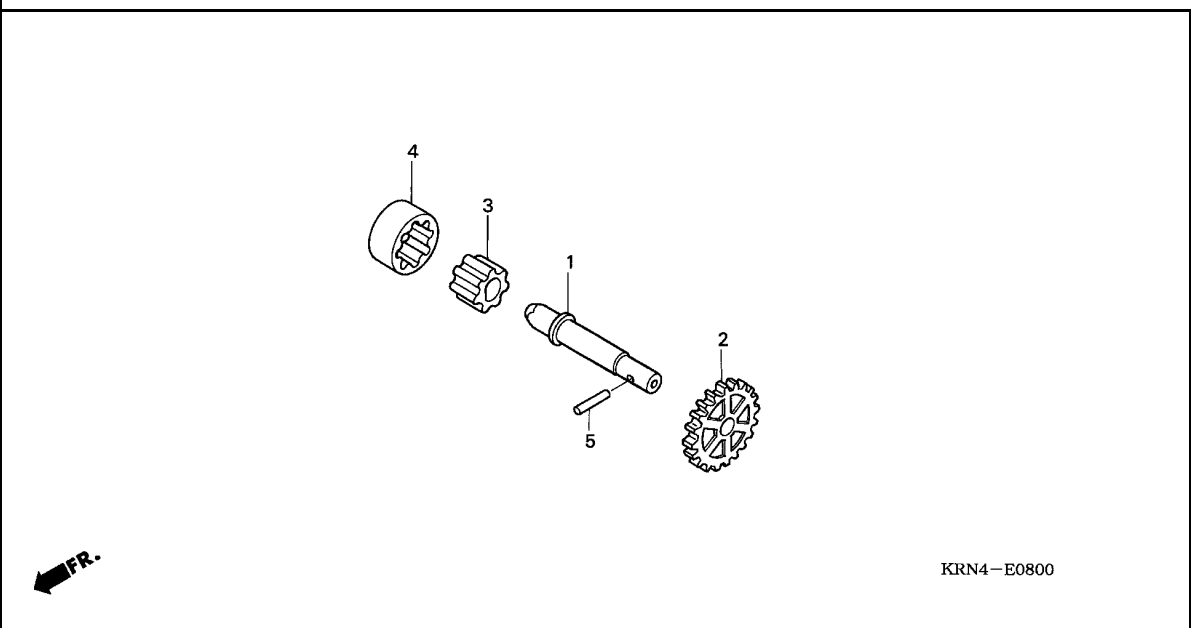


Ref. No.	Part No.	Description	Reqd. QTY					Serial No.	Parts catalogue code
			4	5	6	7	8		
19	90608-072-000	WASHER, 12MM .....	1	1	1	1	1		
20	91001-147-003	BEARING, NEEDLE, 12MM(NTN) ..	1	1	1	1	1		
21	91011-KS6-003	BEARING, NEEDLE, 25X29X22 (TOYO)	1	1	1	1	1		
22	93404-06020-08	BOLT-WASHER, 6X20 .....	5	5	5	5	5		
23	22125-435-000	SEAT, JUDDER SPRING .....	-	-	-	-	1		
24	22201-KRN-670	DISK, CLUTCH FRICTION .....	1	1	1	1	-		
	22202-KSC-670	DISK B, CLUTCH FRICTION .....	-	-	-	-	1		
25	22402-435-000	SPRING, JUDDER .....	-	-	-	-	1		

E-8

OIL PUMP

D14



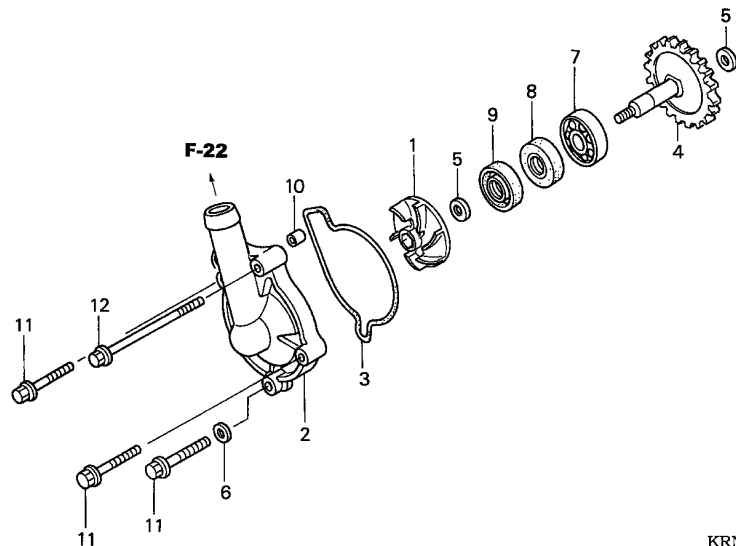
KRN4-E0800

Ref. No.	L.O.N.	(Relative ref. Number) Description	F.R.T.
2	1131C4	GEAR, OIL PUMP DRIVEN (1,4)	1.0
3	1131C7	ROTOR, OIL PUMP .INCLUDES: Engine removal and installation	4.2

Ref. No.	Part No.	Description	Reqd. QTY					Serial No.	Parts catalogue code
			4	5	6	7	8		
1	15111-KRN-670	SHAFT, OIL PUMP	1	1	1	1	1		
2	15133-KRN-670	GEAR, OIL PUMP DRIVEN (18T)	1	1	1	1	1		
3	15331-324-000	ROTOR, OIL PUMP INNER	1	1	1	1	1		
4	15332-324-000	ROTOR, OIL PUMP OUTER	1	1	1	1	1		
5	96220-30178	ROLLER, 3X17.8	1	1	1	1	1		

2





KRN4-E0900

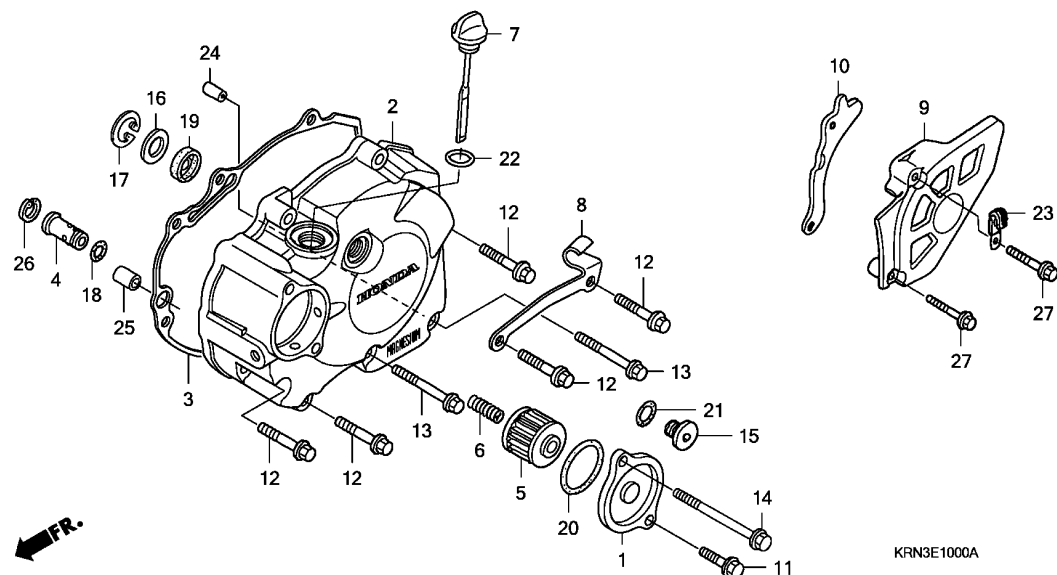
Ref. No.	L.O.N.	(Relative ref. Number) Description	F.R.T.
1	114105	IMPELLER, WATER PUMP .....	0.4
2	1141B0	COVER, WATER PUMP .....	0.3
3	1141B1	GASKET, WATER PUMP COVER .....	0.3
4	114142	SPROCKET OR GEAR, WATER PUMP DRIVEN .....	0.8
7	114144	BEARING, WATER PUMP .....	1.0
9	114110	MECHANICAL SEAL, WATER PUMP ..	1.1

Ref. No.	Part No.	Description	Reqd. QTY					Serial No.	Parts catalogue code
			4	5	6	7	8		
1	19215-KRN-670	IMPELLER, WATER PUMP .....	1	1	1	-	-		
	19215-KRN-A00	.....	-	-	-	1	1		
2	19221-KRN-670	COVER, WATER PUMP .....	1	1	1	-	-		
	19221-KRN-A00	.....	-	-	-	1	1		
3	19226-KRN-670	GASKET, WATER PUMP .....	1	1	1	1	1		
4	19240-KRN-670	GEAR COMP., WATER PUMP (22T)	1	1	1	1	1		
5	90447-KE1-000	WASHER, SEALING, 7MM .....	2	2	2	2	2		
6	90463-ML7-000	WASHER, SEALING, 6.5MM .....	1	1	1	1	1		
7	91001-KA4-003	BEARING, RADIAL BALL, 12X28X7 (NTN)	1	1	1	1	1		
8	91201-148-003	OIL SEAL, 12X22X5 (ARAI) .....	1	1	1	1	1		
9	91211-KRN-671	SEAL, WATER PUMP .....	1	1	1	-	-		
	91211-KSE-671	.....	-	-	-	1	1		
10	91320-KE1-000	DOWEL PIN, 8X7 .....	1	1	1	-	-		
	94301-08100	DOWEL PIN, 8X10 .....	-	-	-	1	1		
11	96001-06028-00	BOLT, FLANGE, 6X28 .....	3	3	3	3	3		
12	96001-06070-00	BOLT, FLANGE, 6X70 .....	1	1	1	1	1		

E-10

L. CRANKCASE COVER

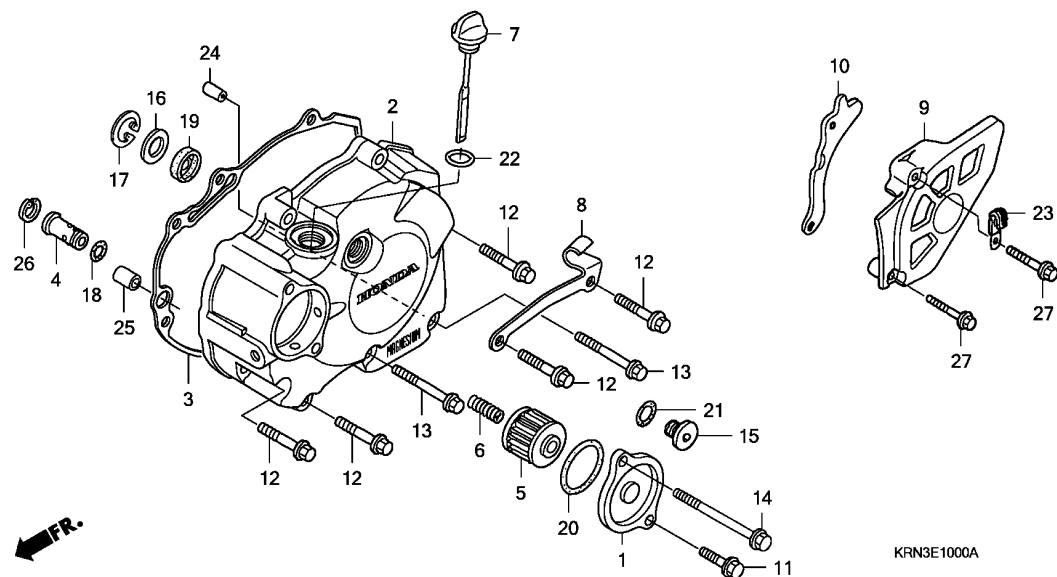
D16



Ref. No.	L.O.N.	(Relative ref. Number) Description	F.R.T.
2		(4,19)	
1101A6		COVER, CRANKCASE :LEFT .....	0.5
3		(24,25)	
1101A3		GASKET, CRANKCASE COVER :LEFT	0.4
5		(1,20)	
113127		ELEMENT, OIL FILTER .....	0.2
9		(10)	
2131A4		COVER, DRIVE SPROCKET .....	0.1

Ref. No.	Part No.	Description	Reqd. QTY					Serial No.	Parts catalogue code
			4	5	6	7	8		
1	11333-KRN-670	COVER, OIL FILTER .....	1	1	1	1	1		
2	11340-KRN-670	COVER COMP., L. CRANKCASE ...	1	1	1	1	1		
3	11395-KRN-670	GASKET, L. COVER .....	1	1	1	1	1		
4	15220-MEB-770	VALVE ASSY., RELIEF .....	1	1	1	1	1		
5	15412-MEN-671	FILTER COMP., ENGINE OIL ....	1	1	1	1	1		
6	15414-MEB-670	SPRING, OIL FILTER .....	1	1	1	1	1		
7	15650-KRN-670	GAUGE, OIL LEVEL .....	1	1	1	1	1		
8	22838-KRN-670	RECEIVER, CLUTCH CABLE .....	1	1	1	1	1		
9	23810-KRN-670	COVER COMP., DRIVE SPROCKET ..	1	1	1	1	1		
10	23812-KRN-670	GUIDE, DRIVE CHAIN .....	1	1	1	1	1		
11	90004-GHB-630	BOLT, FLANGE, 6X16(NSHF) ....	1	1	1	1	1		
12	90004-GHB-690	BOLT, FLANGE, 6X32(NSHF) ....	5	5	5	5	5		
13	90004-GHB-710	BOLT, FLANGE, 6X40(NSHF) ....	2	2	2	2	2		
14	90004-GHB-780	BOLT, FLANGE, 6X75(NSHF) ....	1	1	1	1	1		
15	90084-MEN-670	CAP, 14MM .....	1	1	1	1	1		
16	90451-459-770	WASHER, THRUST, 13MM .....	1	1	1	1	1		
17	90602-MEB-670	CIRCLIP, SPECIAL INTERNAL, 24MM	1	1	1	1	1		
18	90751-GK1-003	O-RING, 8.5X1.7 .....	1	1	1	1	1		
19	91204-KRN-671	OIL SEAL, 10X21X5 .....	1	1	1	1	1		
	91204-HP1-601	.....	-	-	-	-	1		
20	91302-PA9-003	O-RING, 39.8X2.2(ARAI) .....	1	1	1	1	1		
21	91303-377-000	O-RING, 13.8X2.5 .....	1	1	1	1	1		
22	91307-035-000	O-RING, 18X3 .....	1	1	1	1	1		
23	91410-679-000	CLIP, 2X60 .....	1	1	1	1	1		

2

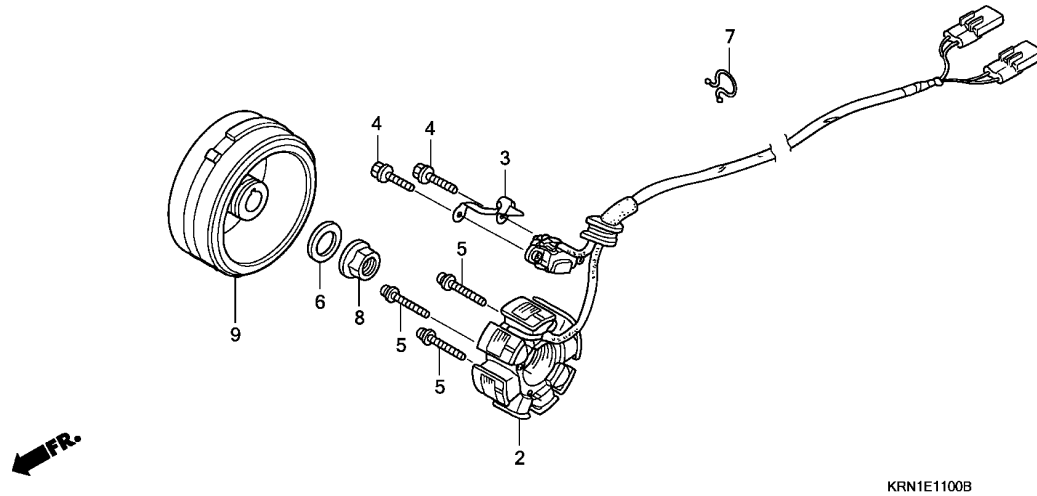


Ref. No.	Part No.	Description	Reqd. QTY					Serial No.	Parts catalogue code
			4	5	6	7	8		
24	94301-08140	DOWEL PIN, 8X14 .....	1	1	1	1	1		
25	94301-10160	DOWEL PIN, 10X16 .....	1	1	1	1	1		
26	94520-14000	CIRCLIP, INTERNAL, 14MM .....	1	1	1	1	1		
27	96001-06030-07	BOLT, FLANGE, 6X30 .....	2	2	2	2	2		

E-11

GENERATOR

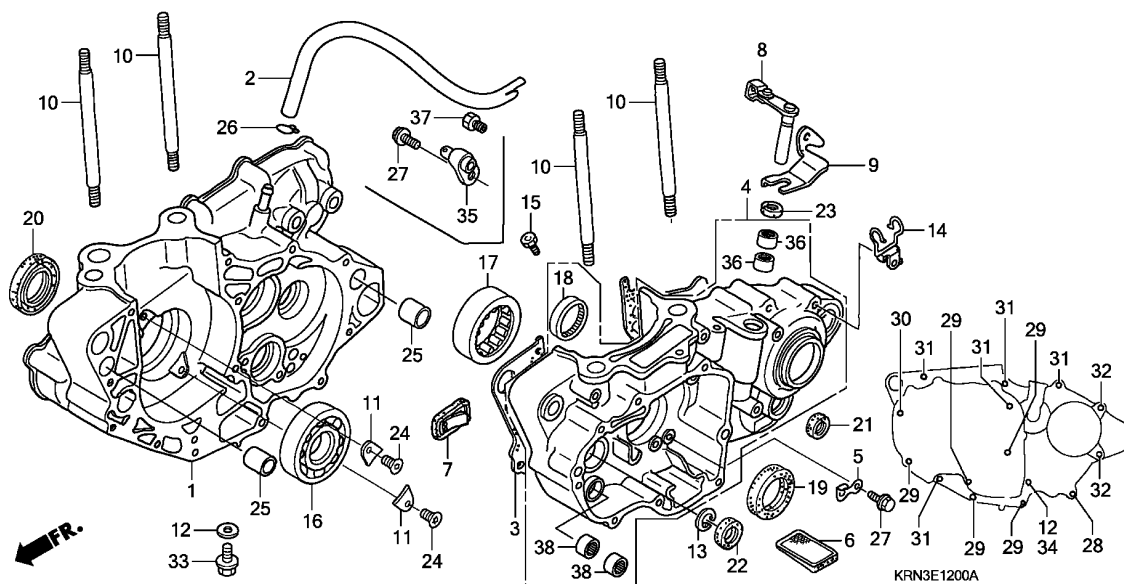
E 2



Ref. No.	L.O.N.	(Relative ref. Number) Description	F.R.T.
2	6131A3	STATOR .....	0.7
9	613105	ROTOR OR FLYWHEEL .....	0.5

Ref. No.	Part No.	Description	Reqd. QTY					Serial No.	Parts catalogue code
			4	5	6	7	8		
2	31120-KRN-670	STATOR COMP. ....	1	1	1	1	1		
3	32112-KRN-670	CLAMPER, CORD .....	1	1	1	1	1		
4	90005-896-000	BOLT, FLANGE, 5X16 .....	2	2	2	2	2		
5	90010-MEB-670	SCREW-WASHER, 4X24 .....	3	3	3	3	3		
6	90437-611-000	WASHER, PLAIN, 12MM .....	1	1	1	1	1		
7	90630-751-000	CLIP, PURSE LOCK .....	1	1	1	1	1		
8	94050-12000	NUT, FLANGE, 12MM .....	1	1	1	1	1		
9	31110-KRN-670	FLYWHEEL COMP. ....	1	1	1	1	1		

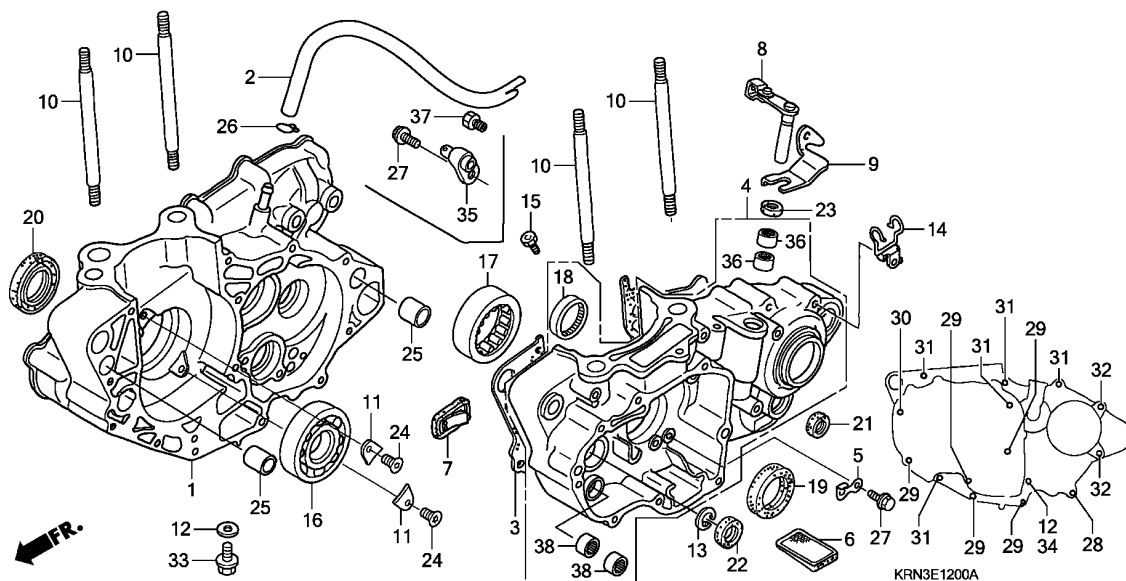
2



Ref. No.	L.O.N.	(Relative ref. Number) Description	F.R.T.
1	110120	CRANKCASE :RIGHT ..... .INCLUDES: Engine removal and installation	4.8
	1101A2	CRANKCASE :BOTH ..... .INCLUDES: Engine removal and installation	5.4
3	110110	GASKET, CRANKCASE ..... .INCLUDES: Engine removal and installation	4.1
4	110115	CRANKCASE :LEFT ..... .INCLUDES: Engine removal and installation	4.9
	1101A2	CRANKCASE :BOTH ..... .INCLUDES: Engine removal and installation	5.4
6	1131B5	SCREEN, OIL FILTER ..... .INCLUDES: Engine removal and installation	4.1
7	1101L3	ONE WAY VALVE, CRANKCASE ..... .INCLUDES: Engine removal and installation	4.1
8	2121A7	LEVER, CLUTCH .....	0.4
+16	1101B7	BEARING, CRANKSHAFT :RIGHT ...	4.3

Ref. No.	Part No.	Description	Reqd. QTY					Serial No.	Parts catalogue code
			4	5	6	7	8		
1	11100-KRN-670	CRANKCASE COMP., R. ....	1	-	-	-	-		
	11100-KRN-730	.....	-	1	-	-	-		
	11100-KRN-850	.....	-	-	1	-	-		
	11100-KRN-A00	.....	-	-	-	1	-		
	11100-KRN-A10	.....	-	-	-	-	1		
2	11105-KRN-670	TUBE, BREATHER .....	1	1	1	1	1		
3	11191-KRN-670	GASKET, CRANKCASE .....	1	1	-	-	-		
	11191-KRN-850	.....	-	-	1	1	-		
	11191-KRN-A10	.....	-	-	-	-	1		
4	11200-KRN-670	CRANKCASE COMP., L. ....	1	-	-	-	-		
	11200-KRN-731	.....	-	1	-	-	-		
	11200-KRN-851	.....	-	-	1	-	-		
	11200-KRN-A00	.....	-	-	-	1	-		
	11200-KRN-A10	.....	-	-	-	-	1		
5	11206-KRN-670	PLATE, CAM CHAIN GUIDE .....	1	1	1	1	1		
6	15421-KK0-000	SCREEN, OIL FILTER .....	1	1	1	1	1		
7	18601-MBW-003	VALVE COMP., REED .....	1	1	1	1	1		
8	22810-KRN-670	LEVER COMP., CLUTCH LIFTER ..	1	-	-	-	-		
	22810-KRN-730	.....	-	1	1	1	1		
9	22813-KRN-670	PLATE, CLUTCH LEVER .....	1	-	-	-	-		
10	90031-KRN-670	BOLT, STUD, 10X135 .....	4	4	4	4	4		
11	90441-KRN-670	PLATE, BEARING HOLDER .....	2	2	2	2	2		
12	90474-333-000	WASHER, SEALING, 8MM .....	2	2	2	2	2		
13	90604-MEB-670	CIRCLIP, SPECIAL, 33MM .....	1	1	1	1	1		
14	90610-MEB-670	GUIDE COMP., TUBE .....	1	1	1	1	1		
15	90901-KRN-670	JET, OIL, #100 .....	1	-	-	-	-		

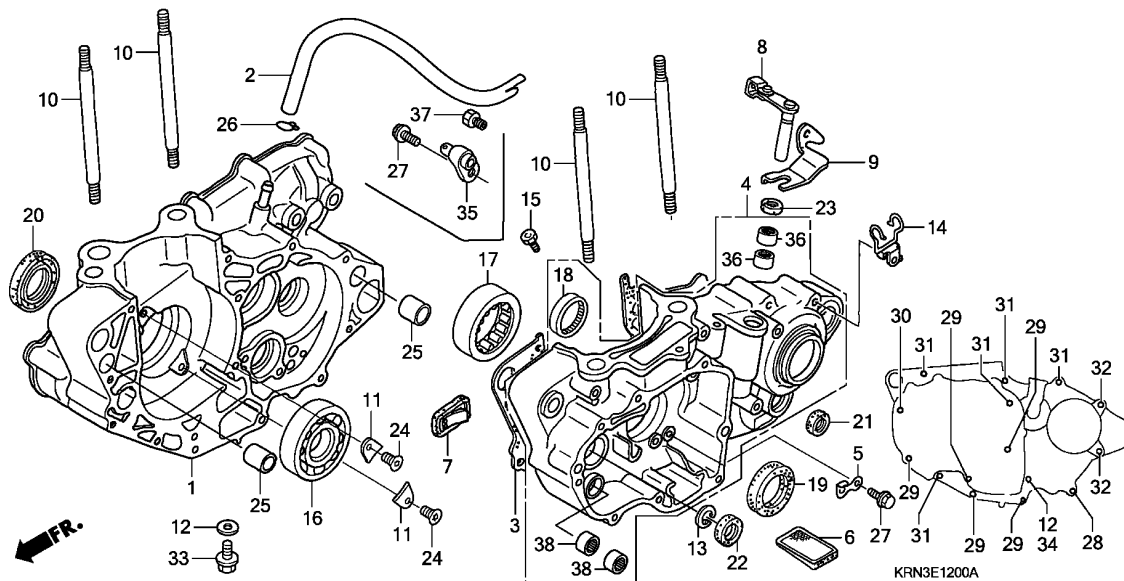
2



Ref. No.	L.O.N.	(Relative ref. Number) Description	F.R.T.
+16		.INCLUDES: Engine removal and installation	
	1101G0	BEARING, CRANKSHAFT :BOTH ....	4.5
		.INCLUDES: Engine removal and installation	
	17 1101B6	BEARING, CRANKSHAFT :LEFT ....	4.3
		.INCLUDES: Engine removal and installation	
	1101G0	BEARING, CRANKSHAFT :BOTH ....	4.5
		.INCLUDES: Engine removal and installation	
	19 110131	OIL SEAL, CRANKSHAFT :LEFT ...	4.2
		.INCLUDES: Engine removal and installation	
	1101H3	OIL SEAL, CRANKSHAFT :BOTH ...	4.3
		.INCLUDES: Engine removal and installation	
	20 110132	OIL SEAL, CRANKSHAFT :RIGHT ..	4.2
		.INCLUDES: Engine removal and installation	
	1101H3	OIL SEAL, CRANKSHAFT :BOTH ...	4.3
		.INCLUDES: Engine removal and installation	
	21 1101F9	OIL SEAL, GEARSHIFT SPINDLE ..	1.1

Ref. No.	Part No.	Description	Reqd. QTY				Serial No.	Parts catalogue code
			4	5	6	7		
16	91001-KRN-671	BEARING, RADIAL BALL, 30X72X16	1	1	1	1	1	
17	91002-KRN-671	BEARING, SPECIAL ROLLER .....	1	1	-	-	-	
	91002-KRN-851	.....	-	-	1	1	-	
	91002-KRN-A11	.....	-	-	-	-	1	
18	91022-KA4-740	BEARING, SHELL, 33X38X8 (NTN)	1	1	1	1	1	
19	91201-MEB-671	OIL SEAL, 38X52X7 (ARAI) .....	1	1	1	1	1	
20	91202-MEB-671	OIL SEAL, 39X56X7 (ARAI) .....	1	1	-	-	-	
	91202-MEY-671	OIL SEAL, 39X56X7.5 (ARAI) ...	-	-	1	1	1	
21	91203-KA4-771	OIL SEAL, 14X22X5 (NOK) .....	1	1	1	1	1	
22	91203-MEB-671	OIL SEAL, 20X33X5 (ARAI) .....	1	1	1	1	1	
23	91205-MEB-671	OIL SEAL, 12X18X3 (ARAI) .....	1	1	1	1	1	
24	90003-KRN-670	SCREW, SPECIAL FLAT, 6X12 .....	2	2	-	-	-	
	90001-MEN-850	SCREW, SPECIAL FLAT, 6X17 ...	-	-	2	2	2	
25	94301-14200	DOWEL PIN, 14X20 .....	2	2	2	2	2	
26	95002-02100	CLIP, TUBE (B10) .....	1	1	1	1	1	
27	96001-06012-00	BOLT, FLANGE, 6X12 .....	1	2	2	2	2	
28	96001-06040-00	BOLT, FLANGE, 6X40 .....	1	1	1	1	1	
29	96001-06045-00	BOLT, FLANGE, 6X45 .....	5	5	5	5	5	
30	96001-06060-00	BOLT, FLANGE, 6X60 .....	1	1	1	1	1	
31	96001-06070-00	BOLT, FLANGE, 6X70 .....	5	5	5	5	5	
32	96001-06075-00	BOLT, FLANGE, 6X75 .....	2	2	2	2	2	
33	96300-08025-00	BOLT, FLANGE, 8X25 .....	1	1	1	1	1	
34	96300-08070-00	BOLT, FLANGE, 8X70 .....	1	1	1	1	1	
35	11210-KRN-730	JET COMP., PISTON, #80 .....	-	1	1	1	1	
36	91053-719-005	BEARING, NEEDLE, 12X16X10 (NTN)	2	2	2	2	2	

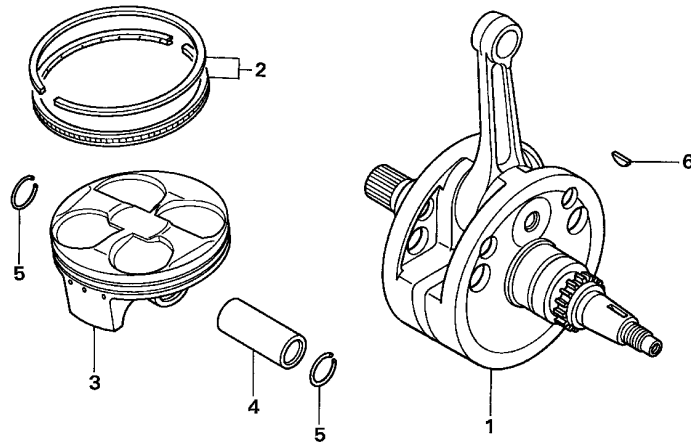




2

Ref. No.	Part No.	Description	Reqd. QTY					Serial No.	Parts catalogue code
			4	5	6	7	8		

37	90901-KRN-A00	ORIFICE, #170 .....	-	-	-	1	-	
38	91006-HA0-003	BEARING, NEEDLE, 9MM(NTN) ...	2	2	2	2	2	

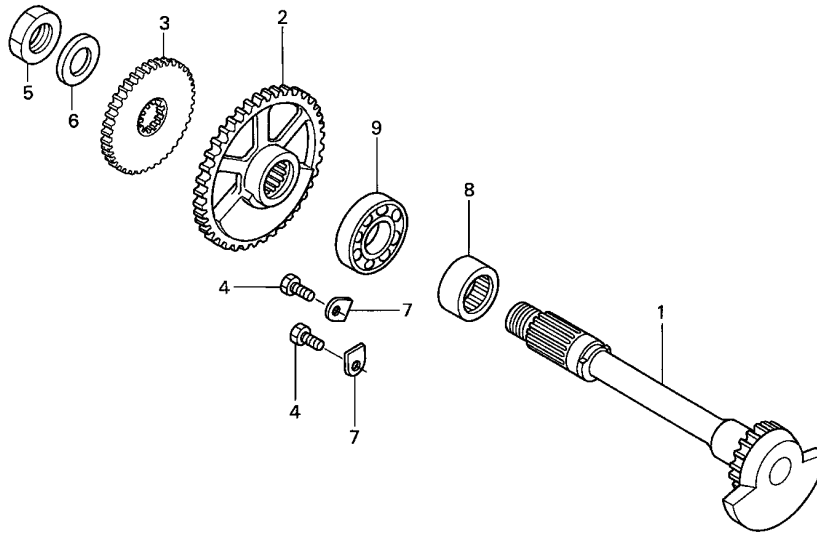


Ref. No.	L.O.N.	(Relative ref. Number) Description	F.R.T.
1	1101B5	CRANKSHAFT ..... .INCLUDES: Engine removal and installation (2,4,5)	4.3
3	111103	RING, PISTON AND/OR PISTON (ONE) .....	2.2

Ref. No.	Part No.	Description	Reqd. QTY					Serial No.	Parts catalogue code
			4	5	6	7	8		
1	13000-KRN-670	CRANKSHAFT COMP. ....	1	1	-	-	-		
	13000-KRN-850	.....	-	1	-	-	-		
	13000-KRN-A00	.....	-	-	-	1	-		
	13000-KRN-A10	.....	-	-	-	-	1		
2	13011-KRN-670	RING SET, PISTON (STD.) ....	1	1	-	-	-		
	13011-KRN-850	.....	-	-	1	1	-		
	13011-KRN-A10	.....	-	-	-	-	1		
3	13101-KRN-670	PISTON .....	1	1	-	-	-		
	13101-KRN-850	.....	-	-	1	1	-		
	13101-KRN-A10	.....	-	-	-	-	1		
4	13111-KRN-670	PIN, PISTON .....	1	1	-	-	-		
	13111-KRN-850	.....	-	-	1	1	1		
5	13115-KM7-700	CLIP, PISTON PIN, 16MM .....	2	2	2	2	2		
6	13331-360-000	KEY, SPECIAL WOODRUFF, 25X14	1	1	1	1	1		

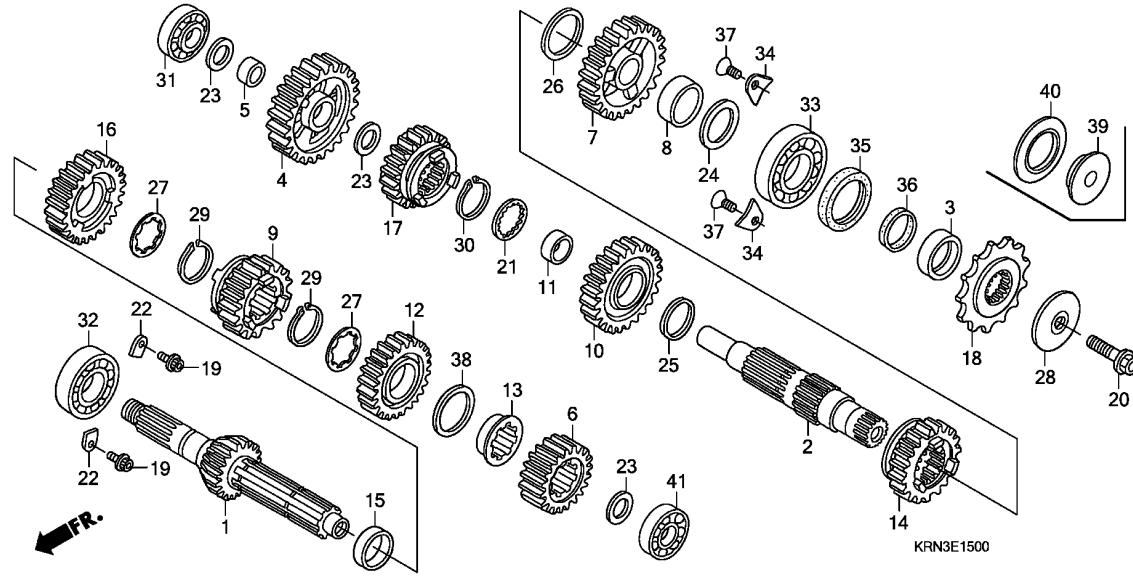






Ref. No.	L.O.N.	(Relative ref. Number) Description	F.R.T.
1	110185	SHAFT, BALANCER .....	1.2
2	1101L5	GEAR, BALANCER DRIVEN .....	0.8
3	1101F8	GEAR, WATER PUMP DRIVE .....	0.8
8	1101G3	BEARING, BALANCER SHAFT :LEFT .INCLUDES: Engine removal and installation	4.3
	1101G5	BEARING, BALANCER SHAFT :BOTH .INCLUDES: Engine removal and installation	4.5
9	1101G4	BEARING, BALANCER SHAFT :RIGHT .INCLUDES: Engine removal and installation	4.3
	1101G5	BEARING, BALANCER SHAFT :BOTH .INCLUDES: Engine removal and installation	4.5

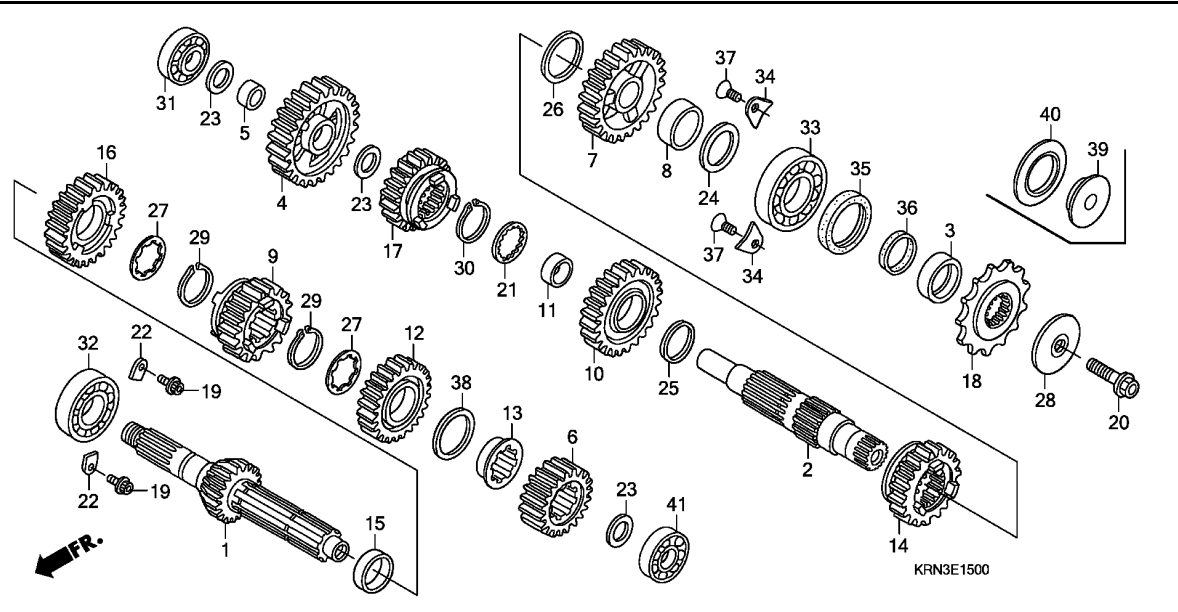
Ref. No.	Part No.	Description	Reqd. QTY					Serial No.	Parts catalogue code
			4	5	6	7	8		
1	13420-KRN-670	SHAFT COMP., BALANCER .....	1	1	1	-	-		
	13420-KRN-A00	.....	-	-	-	1	-		
	13420-KRN-A10	.....	-	-	-	-	1		
2	13422-KRN-670	GEAR, BALANCER DRIVEN (32T) .	1	1	1	-	-		
	13422-KRN-A00	.....	-	-	-	1	-		
	13422-KRN-A10	.....	-	-	-	-	1		
3	19245-KRN-670	GEAR, WATER PUMP DRIVE (19T)	1	1	-	-	-		
	19245-KRN-671	.....	-	-	1	-	-	----- 2215431 ED,U	
			-	-	1	-	-	----- ED/A,ED/B,U/A,U/B	
			-	-	1	-	-	2215432 ----- ED,U	
4	90038-KY4-900	BOLT, HEX., 6X16 .....	2	2	2	2	2		
5	90204-MN5-000	NUT, HEX., 14MM .....	1	1	1	1	1		
6	90433-KE1-000	WASHER, 14MM .....	1	1	1	1	1		
7	90441-KA4-700	PLATE, BEARING HOLDER .....	2	2	2	2	2		
8	91004-MEB-671	BEARING, SPECIAL ROLLER, 20X32X14	1	1	1	1	1		
9	91005-MEB-671	BEARING, RADIAL BALL, 6003 ..	1	1	1	1	1		



Ref. No.	L.O.N.	(Relative ref. Number) Description	F.R.T.
1		(6,9,12,16)	
210141		MAINSHAFT, TRANSMISSION ..... .INCLUDES: Engine removal and installation	4.3
210141A		.Replace countershaft add ....	0.2
2		(4,7,10,14,17)	
210142		COUNTERSHAFT, TRANSMISSION ... .INCLUDES: Engine removal and installation	4.3
210142A		.Replace mainshaft add .....	0.2
18	213135	SPROCKET, DRIVE .....	0.2
31	2101C8	BEARING, COUNTERSHAFT :RIGHT .INCLUDES: Engine removal and installation	4.3
2101C9		BEARING, COUNTERSHAFT :BOTH .. .INCLUDES: Engine removal and installation	4.5
2101D4		BEARING, MAINSHAFT AND COUNTERSHAFT :ALL .....	4.7
32	2101C5	BEARING, MAINSHAFT :RIGHT .... .INCLUDES: Engine removal and installation	4.3
+	2101C6	BEARING, MAINSHAFT :BOTH .....	4.5

Ref. No.	Part No.	Description	Reqd. QTY					Serial No.	Parts catalogue code
			4	5	6	7	8		
1	23210-KRN-670	MAINSHAFT COMP. (14T) .....	1	1	1	-	-		
	23210-KRN-A00	.....	-	-	-	1	-		
	23210-KRN-A10	.....	-	-	-	-	1		
2	23221-KRN-670	COUNTERSHAFT .....	1	-	-	-	-		
	23221-KRN-730	.....	-	1	1	-	-		
	23221-KRN-A00	.....	-	-	-	1	-		
	23221-KRN-A10	.....	-	-	-	-	1		
3	23225-KSR-A00	COLLAR, COUNTERSHAFT .....	1	-	-	-	-		
	23225-KSC-670	.....	-	1	1	1	1		
4	23411-KRN-670	GEAR, COUNTERSHAFT LOW (30T) .....	1	1	1	1	1		
5	23413-KZ4-J00	COLLAR, 17MM .....	1	1	1	1	1		
6	23421-KRN-670	GEAR, MAINSHAFT SECOND (16T) .....	1	1	1	1	1		
7	23431-KRN-670	GEAR, COUNTERSHAFT SECOND (28T) .....	1	1	1	1	1		
8	23432-KSR-A00	COLLAR, 24MM .....	1	-	-	-	-		
	23432-KRN-730	.....	-	1	1	1	1		
9	23441-KRN-670	GEAR, MAINSHAFT THIRD (20T) .....	1	1	1	-	-		
	23441-KRN-A00	.....	-	-	-	1	1		
10	23451-KRN-670	GEAR, COUNTERSHAFT THIRD (29T) .....	1	1	1	1	1		
11	23452-KRN-670	COLLAR, COUNTERSHAFT THIRD							
	23452-KSC-670	GEAR .....	1	-	-	-	-		
12	23461-KRN-670	GEAR, MAINSHAFT FOURTH (22T) .....	1	1	1	1	1		
13	23462-KZ4-J00	COLLAR, MAINSHAFT FOURTH	1	1	1	1	1		
14	23471-KRN-670	GEAR, COUNTERSHAFT FOURTH (27T) .....	1	1	1	1	1		
15	23472-KZ4-000	COLLAR, 20MM .....	1	1	1	1	1		





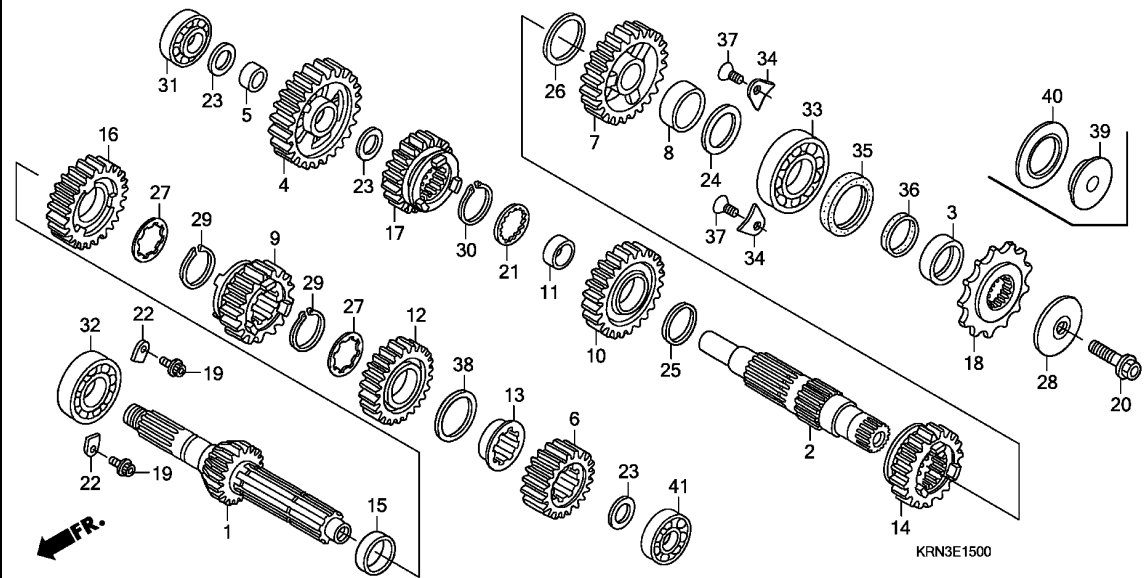
Ref. No.	L.O.N.	(Relative ref. Number) Description	F.R.T.
+32		.INCLUDES: Engine removal and installation	
2101D4		BEARING, MAINSHAFT AND COUNTERSHAFT :ALL .....	4.7
33	2101C7	BEARING, COUNTERSHAFT :LEFT ..	4.3
		.INCLUDES: Engine removal and installation	
2101C9		BEARING, COUNTERSHAFT :BOTH ..	4.5
		.INCLUDES: Engine removal and installation	
2101D4		BEARING, MAINSHAFT AND COUNTERSHAFT :ALL .....	4.7
41	2101C2	BEARING, MAINSHAFT :LEFT .....	4.3
		.INCLUDES: Engine removal and installation	
	2101C6	BEARING, MAINSHAFT :BOTH .....	4.5
		.INCLUDES: Engine removal and installation	
2101D4		BEARING, MAINSHAFT AND COUNTERSHAFT :ALL .....	4.7

Ref. No.	Part No.	Description	Reqd. QTY					Serial No.	Parts catalogue code
			4	5	6	7	8		
16	23481-KRN-670	GEAR, MAINSHAFT FIFTH (24T) .	1	1	1	1	1		
17	23491-KRN-670	GEAR, COUNTERSHAFT FIFTH (25T)	1	1	1	-	-		
	23491-KRN-A00	.....	-	-	-	1	1		
18	23801-KSR-A00	SPROCKET, DRIVE (13T) .....	1	1	1	1	1		
19	90071-MF5-000	BOLT, FLANGE SOCKET, 6X14 ...	2	2	2	2	2		
20	90112-413-000	BOLT, UBS, 8X33 .....	1	1	1	1	1		
21	90404-KW3-000	WASHER, THRUST INVOLUTE, 22X21X1	1	1	1	1	1		
22	90441-KA4-700	PLATE, BEARING HOLDER .....	2	2	2	2	2		
23	90446-357-000	WASHER, THRUST, 17.2MM .....	3	3	3	3	3		
24	90453-KSR-A00	WASHER, 22X32X1.5 .....	1	1	1	1	1		
25	90452-KZ4-000	WASHER, THRUST, 22X30X1 .....	1	1	1	1	1		
26	90452-KSR-A00	WASHER, 24X32X1 .....	1	1	1	1	1		
27	90461-444-000	WASHER, SPLINE, 20MM .....	2	2	2	2	2		
28	90501-KZ4-L30	WASHER, SPRING, 8X40 .....	1	-	-	-	-		
29	90601-360-000	SET RING, 20MM .....	2	2	2	2	2		
30	90602-360-000	SET RING, 22MM .....	1	1	1	1	1		
31	91001-KZ4-J11	BEARING, RADIAL BALL, 17X35X10	1	1	1	1	1		
32	91004-KRN-671	BEARING, RADIAL BALL, 22X47X14	1	-	-	-	-		
	91004-KSC-671	.....	-	1	1	1	1		
33	91005-KSR-A01	BEARING, RADIAL BALL, 22X47X14	1	1	-	-	-		
	91005-KRN-851	.....	-	-	1	-	-		
	91005-KRN-A01	BEARING, RADIAL BALL, 22X52X14	-	-	-	1	1		
34	91012-KA3-710	PLATE, COUNTERSHAFT BEARING .	2	2	2	2	2		
35	91201-KSR-A01	OIL SEAL, 28X37X7 .....	1	1	1	1	1		

E-15

TRANSMISSION

E10

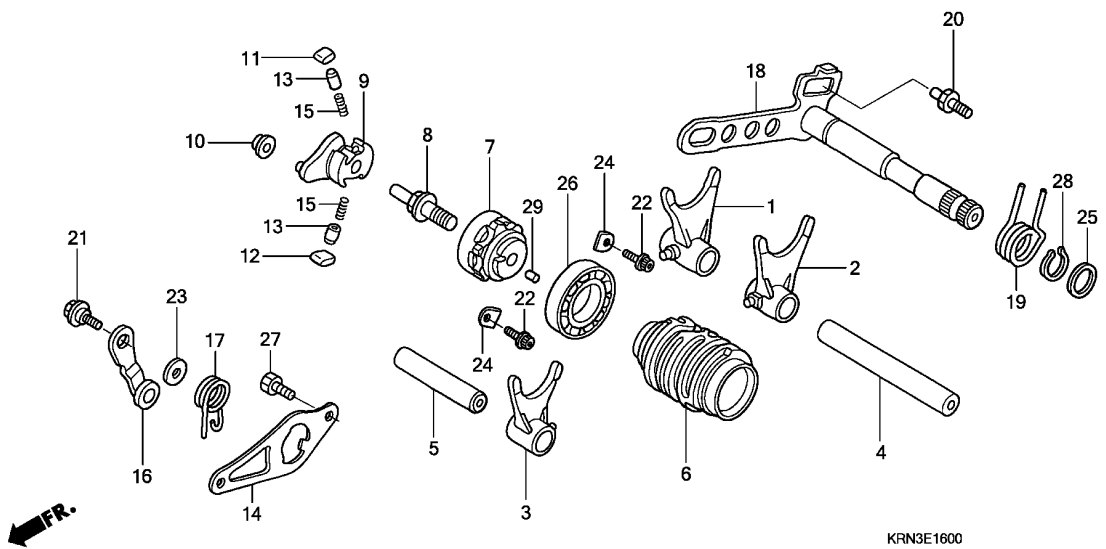


Ref. No.	L.O.N. (Relative ref. Number)	Description	F.R.T.
----------	-------------------------------	-------------	--------

+41		.INCLUDES: Engine removal and installation	
-----	--	--	--

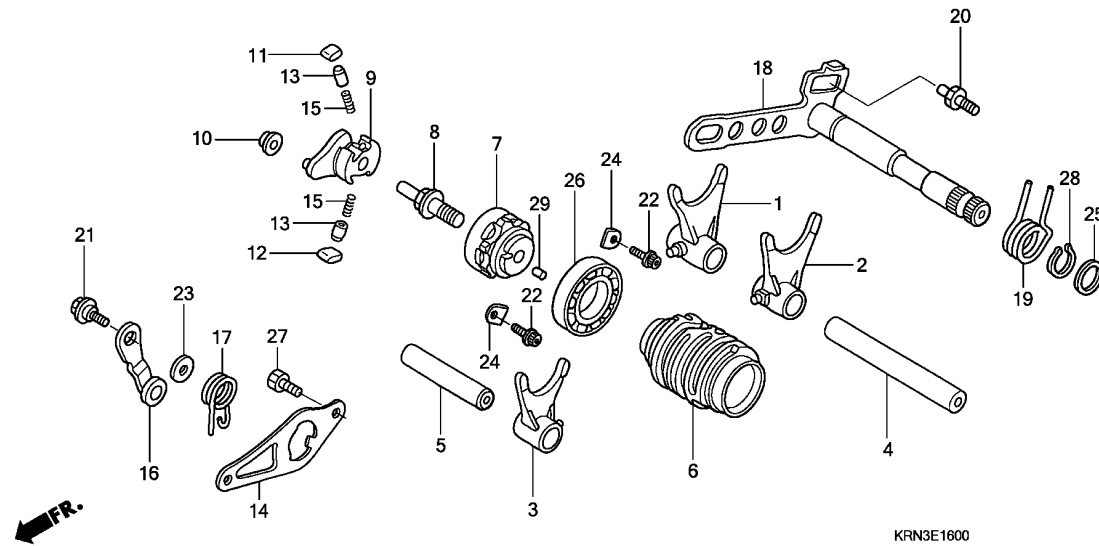
Ref. No.	Part No.	Description	Reqd. QTY					Serial No.	Parts catalogue code
			4	5	6	7	8		
36	91301-KSR-A01	D-RING, 22MM .....	1	1	1	1	1		
37	93600-06010-OH	SCREW, FLAT, 6X10 .....	2	2	2	2	2		
38	90401-KZ4-J00	WASHER, THRUST, 23.1X28X1 ...	1	1	1	1	1		
39	23802-KSC-670	COLLAR, DRIVE SPROCKET .....	-	1	1	1	1		
40	90501-KSC-670	WASHER, SPRING, 24MM .....	-	1	1	1	1		
41	91001-KZ4-J11	BEARING, RADIAL BALL, 17X35X10	1	1	-	-	-		
	91006-KRN-851	BEARING, RADIAL BALL, 17X36X10	-	-	1	-	-		
	91006-KRN-A01	BEARING, RADIAL BALL, 17X38X10	-	-	-	1	1		

2



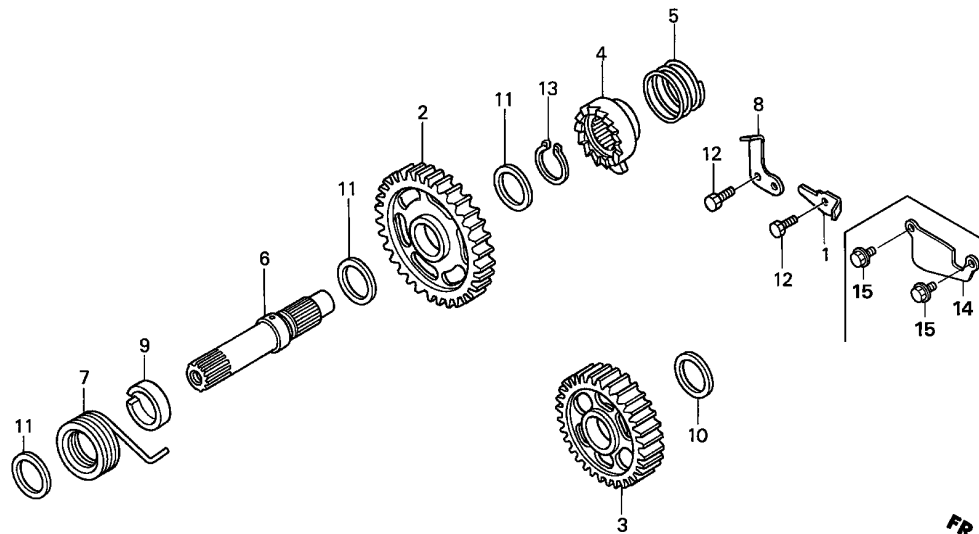
Ref. No.	L.O.N.	(Relative ref. Number) Description	F.R.T.
1		(2,3,4,5)	
210112		FORK, GEARSHIFT ..... .NOTE: Same time for two units or more .INCLUDES: Engine removal and installation	4.3
6	2101A9	DRUM, GEARSHIFT ..... .INCLUDES: Engine removal and installation	4.3
7	2101B2	CENTER, GEARSHIFT DRUM .....	1.1
9	2101B3	(11,12,13,15) SHIFTER, GEARSHIFT DRUM .....	1.0
14	2101B4	PLATE, GUIDE .....	1.0
16	210125	(17) STOPPER OR SPRING, SHIFT DRUM	1.2
18	210122	(19) SPINDLE, GEARSHIFT .....	1.0

Ref. No.	Part No.	Description	Reqd. QTY				Serial No.	Parts catalogue code
			4	5	6	7		
1	24211-KRN-670	FORK, R. GEARSHIFT .....	1	-	-	-	-	
	24211-KRN-730	.....	-	1	1	1	1	
2	24221-KRN-670	FORK, L. GEARSHIFT .....	1	-	-	-	-	
	24221-KRN-730	.....	-	1	1	1	1	
3	24231-KRN-670	FORK, CENTER GEARSHIFT .....	1	-	-	-	-	
	24231-KRN-730	.....	-	1	1	1	1	
4	24241-MEN-670	SHAFT A, SHIFT FORK .....	1	-	-	-	-	
	24241-KSC-670	.....	-	1	1	1	1	
5	24265-KA3-760	SHAFT, MAINSHAFT GEARSHIFT						
		FORK	1	-	-	-	-	
	24242-KSC-670	SHAFT B, SHIFT FORK .....	-	1	1	1	1	
6	24311-KRN-670	DRUM, GEARSHIFT .....	1	-	-	-	-	
	24311-KSC-670	.....	-	1	1	1	1	
	24311-KRN-A00	.....	-	-	-	1	1	
7	24312-KA3-741	CENTER, GEARSHIFT DRUM .....	1	1	1	1	1	
8	24315-HA0-000	PIN, SHIFTER .....	1	1	1	1	1	
9	24321-KZ4-620	SHIFTER, DRUM .....	1	1	1	1	1	
10	24322-MM4-000	COLLAR, SHIFTER .....	1	1	1	1	1	
11	24324-KA3-711	PAWL A, RATCHET .....	1	1	1	1	1	
12	24325-KA3-711	PAWL B, RATCHET .....	1	1	1	1	1	
13	24326-KBH-901	PLUNGER, PAWL .....	2	2	2	2	2	
14	24328-KRN-670	PLATE, GUIDE .....	1	1	1	1	1	
15	24329-KA3-740	SPRING, PAWL PLUNGER .....	2	2	2	2	2	
16	24430-KA3-740	STOPPER COMP., DRUM .....	1	1	1	1	1	
17	24435-KZ4-690	SPRING, DRUM STOPPER .....	1	1	1	1	1	
18	24610-KRN-670	SPINDLE COMP., GEARSHIFT .....	1	-	-	-	-	



Ref. No.	Part No.	Description	Reqd. QTY					Serial No.	Parts catalogue code
			4	5	6	7	8		
18)	24610-KRN-730	SPINDLE COMP., GEARSHIFT ....	-	1	1	1	1		
19	24651-MEB-670	SPRING, GEARSHIFT RETURN ....	1	1	1	1	1		
20	24652-HA0-000	PIN, GEARSHIFT RETURN SPRING	1	1	1	1	1		
21	90022-MG8-000	PIVOT, SHIFT DRUM STOPPER ARM	1	1	1	1	1		
22	90071-MF5-000	BOLT, FLANGE SOCKET, 6X14 ...	2	2	2	2	2		
23	90435-HB3-000	WASHER, 6.1MM .....	1	1	1	1	1		
24	90441-KA4-700	PLATE, BEARING HOLDER .....	2	2	2	2	2		
25	90451-155-000	WASHER, 14MM .....	1	1	1	1	1		
26	91004-KY4-900	BEARING, RADIAL BALL, 6905U .	1	1	1	1	1		
27	93301-06016-0A	BOLT, HEX., 6X16 .....	2	2	2	2	2		
28	94510-14000	CIRCLIP, EXTERNAL, 14MM .....	1	1	1	1	1		
29	96220-40080	ROLLER, 4X8 .....	1	1	1	1	1		

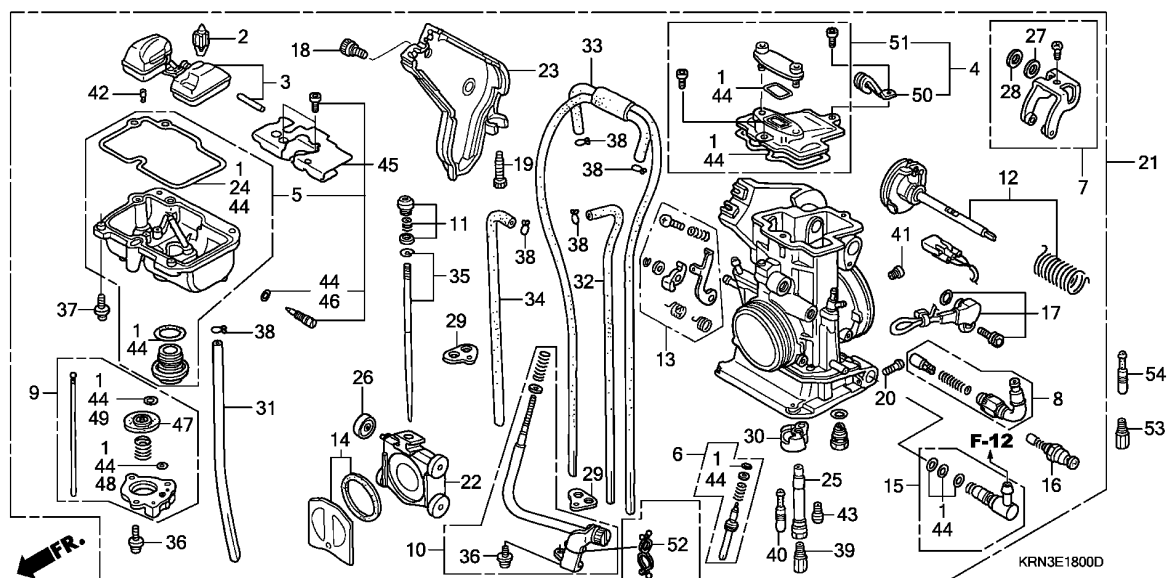




KRN4-E1700A

Ref. No.	L.O.N.	(Relative ref. Number) Description	F.R.T.
2	1121A0	PINION, KICK STARTER .....	1.0
3	1121B2	GEAR, KICK STARTER FIRST IDLE (5)	0.9
4	1121A1	RATCHET, KICK(RECOIL) STARTER	1.0
6	1121A2	SPINDLE, KICK STARTER .....	1.0
7	112103	SPRING, KICK STARTER RETURN ..	0.8

Ref. No.	Part No.	Description	Reqd. QTY					Serial No.	Parts catalogue code
			4	5	6	7	8		
1	15201-KRN-670	PLATE, OIL GUIDE .....	1	-	-	-	-		
2	28210-KRN-670	PINION COMP., KICK STARTER (33T)	1	1	1	1	1		
3	28230-KRN-670	GEAR COMP., STARTER IDLE (30T)	1	1	1	1	1		
4	28241-KA3-710	RATCHET, STARTER .....	1	1	1	1	1		
5	28242-KA3-710	SPRING, RATCHET .....	1	1	1	1	1		
6	28251-KZ4-000	SPINDLE, KICK STARTER .....	1	1	1	1	1		
7	28261-KA3-710	SPRING, STARTER RETURN .....	1	1	1	1	1		
8	28262-KS6-701	PLATE, RATCHET SLIDER .....	1	1	1	1	1		
9	28282-KZ4-B00	COLLAR, KICK SPINDLE .....	1	1	1	1	1		
10	90452-178-000	WASHER, THRUST, 17MM .....	1	1	1	1	1		
11	90501-444-000	WASHER, 16.8X24 .....	3	3	3	3	3		
12	93301-06016-0A	BOLT, HEX., 6X16 .....	2	1	1	1	1		
13	94510-16000	CIRCLIP, EXTERNAL, 16MM .....	1	1	1	1	1		
14	15201-KRN-730	PLATE, OIL GUIDE .....	-	1	1	1	1		
15	96300-06012-00	BOLT, FLANGE, 6X12 .....	-	2	2	2	2		

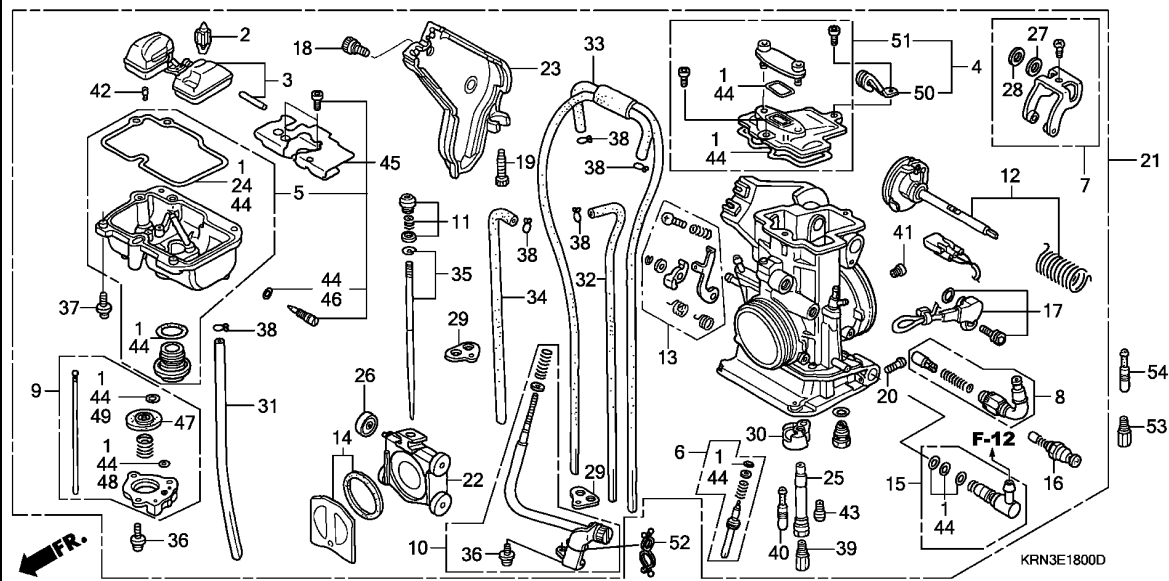


Ref. No.	L.O.N.	(Relative ref. Number) Description	F.R.T.
2		(3)	
311120		FLOAT OR FLOAT VALVE .....	0.8
5		(45)	
3111A6		CHAMBER, FLOAT .....	0.8
8		3111G0 VALVE SET, HOT START .....	0.7
9		3111F4 PUMP SET, ACCELERATOR .....	0.8
16		311125 VALVE, STARTER .....	0.6
17		617115 SENSOR, THROTTLE .....	0.9
21		3111B5 CARBURETOR ASSEMBLY .....	0.9
22		(14,26)	
3111A8		VALVE, THROTTLE .....	0.7
25		(40)	
3111A4		HOLDER, NEEDLE JET .....	0.8
35		(11)	
3111A3		NEEDLE, JET .....	0.4
39		3111D4 JET, MAIN .....	0.2

Ref. No.	Part No.	Description	Reqd. QTY					Serial No.	Parts catalogue code
			4	5	6	7	8		
1	16010-KRN-671	GASKET SET .....	1	1	-	-	-		
2	16011-KZ3-J11	VALVE SET, FLOAT .....	1	1	-	-	-		
	16011-MEN-851	.....	-	-	1	1	1		
3	16013-MEB-671	FLOAT SET .....	1	1	-	-	-		
	16013-KRN-851	.....	-	-	1	1	1		
4	16014-KRN-671	TOP SET .....	1	1	-	-	-		
	16014-KRN-731	.....	-	-	1	-	-		
5	16015-MEN-671	CHAMBER SET, FLOAT .....	1	-	-	-	-		
	16015-KRN-731	.....	-	1	-	-	-		
6	16016-MEB-671	SCREW SET A .....	1	-	-	-	-		
	16016-KSC-671	.....	-	1	1	-	-		
	16016-KRN-A01	.....	-	-	-	1	1		
7	16018-MEB-671	ARM SET, LINK .....	1	1	1	-	-		
	16018-MEY-A11	.....	-	-	-	1	1		
8	16019-MEB-671	START SET, HOT .....	1	1	1	1	1		
9	16021-KRN-671	DIAPHRAGM SET, PUMP .....	1	-	-	-	-		
	16021-KRN-731	.....	-	1	-	-	-		
	16021-KRN-851	.....	-	-	1	-	-		
	16021-MEN-A01	.....	-	-	-	1	1		
10	16028-MEB-671	SCREW SET B .....	1	1	1	-	-		
	16028-MEN-A01	.....	-	-	-	1	1		
11	16029-MEB-671	SCREW SET, JET NEEDLE .....	1	1	1	-	-		
	16029-MEY-A11	.....	-	-	-	1	1		
12	16032-MEB-671	SHAFT SET, THROTTLE .....	1	1	1	-	-		
	16032-MEN-A01	.....	-	-	-	1	-		
	16032-KRN-A11	.....	-	-	-	-	1		
13	16033-MEB-671	LEVER SET, PUMP .....	1	1	1	-	-		





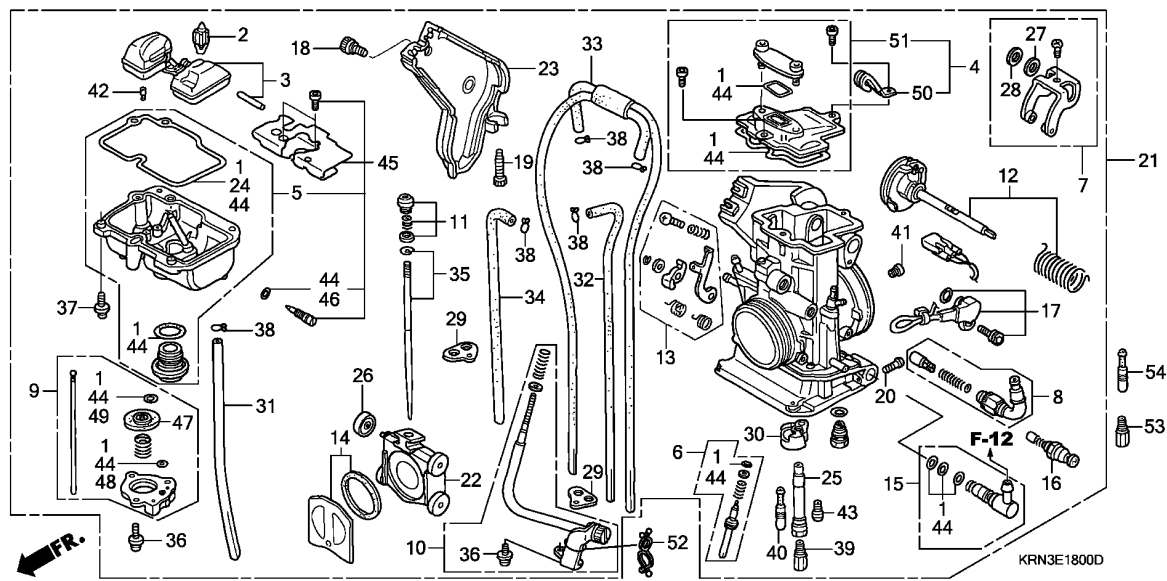


Ref. No.	Part No.	Description	Reqd. QTY					Serial No.	Parts catalogue code
			4	5	6	7	8		
13)	16033-MEN-A01	LEVER SET, PUMP .....	-	-	-	1	1		
14	16037-MEB-671	VALVE SET, FLOATING .....	1	1	1	1	1		
15	16038-KRN-671	JOINT SET, FUEL .....	1	1	1	1	1		
16	16046-MEB-671	VALVE SET, STARTER .....	1	1	1	1	1		
17	16060-KRN-671	SENSOR ASSY., THROTTLE .....	1	1	1	1	1		
18	16080-MEB-671	BOLT, COVER .....	1	1	1	-	-		
	16080-HP1-601	.....	-	-	-	1	1		
19	16081-KRN-671	BOLT, STOPPER .....	1	1	-	-	-		
20	16083-MEB-671	SCREW, PAN .....	1	1	1	1	1		
21	16100-KRN-671	CARBURETOR ASSY. (FCR01A A) ..	1	-	-	-	-		
	16100-KRN-734	CARBURETOR ASSY. (FCR01B A) ..	-	1	-	-	-		
	16100-KRN-861	CARBURETOR ASSY. (FCR12A A) ..	-	-	1	-	-		
	16100-KRN-E02	CARBURETOR ASSY. (FCR12B A) ..	-	-	-	1	-		
	16100-KRN-E12	CARBURETOR ASSY. (FCR12C A) ..	-	-	-	-	1		
22	16112-MEB-671	VALVE, THROTTLE .....	1	1	1	-	-		
	16112-MEY-A11	.....	-	-	-	1	-		
	16112-HP1-A01	.....	-	-	-	-	1		
23	16157-MEN-671	COVER, THROTTLE .....	1	1	1	-	-		
	16157-MEN-A01	.....	-	-	-	1	1		
24	16163-MEB-671	GASKET, FLOAT CHAMBER .....	1	1	1	1	1		
25	16165-MEB-671	HOLDER, NEEDLE JET .....	1	1	-	-	-		
	16165-MEN-851	.....	-	-	1	-	-		
	16165-KRN-A01	.....	-	-	-	1	-		
	16165-MEN-A01	.....	-	-	-	-	1		
26	16172-MEB-671	ROLLER .....	1	1	1	1	1		
27	16177-MEB-671	WASHER, PLAIN (PO) .....	1	1	1	1	1		

2

Ref. No.	Part No.	Description	Reqd. QTY					Serial No.	Parts catalogue code
			4	5	6	7	8		
28	16178-MEB-671	WASHER, PLAIN (SUS) .....	1	1	1	1	1		
29	16179-KZ4-690	BINDER .....	2	2	-	-	-		
	16178-MEN-851	.....	-	-	2	2	2		
30	16185-MEN-671	PLATE, BUFFER .....	1	1	-	-	-		
	16185-KRN-851	.....	-	-	1	1	1		
31	16196-MEB-671	TUBE, OVERFLOW .....	1	1	-	-	-		
	16196-MEN-851	.....	-	-	1	1	1		
32	16197-MEB-671	TUBE, AIR VENT .....	1	1	1	1	1		
33	16198-MEB-671	TUBE COMP., AIR VENT .....	1	1	1	1	1		
34	16199-MEB-671	TUBE, AIR VENT .....	1	1	1	1	1		
35	16201-MEN-671	NEEDLE SET, JET (NCYP) .....	(1)	(1)	-	-	-		
	16202-MEN-671	NEEDLE SET, JET (NCYQ) .....	(1)	1	-	-	-		
	16203-MEN-671	NEEDLE SET, JET (NCYR) .....	1	(1)	-	-	-		
	16204-MEN-671	NEEDLE SET, JET (NCYS) .....	(1)	(1)	-	-	-		
	16205-MEN-671	NEEDLE SET, JET (NCYT) .....	(1)	-	-	-	-		
	16230-MEN-671	NEEDLE SET, JET (NCVP) .....	(1)	(1)	-	-	-		
	16231-MEN-671	NEEDLE SET, JET (NCVQ) .....	(1)	(1)	-	-	-		
	16232-MEN-671	NEEDLE SET, JET (NCVR) .....	(1)	(1)	-	-	-		
	16233-MEN-671	NEEDLE SET, JET (NCVS) .....	(1)	(1)	-	-	-		
	16234-MEN-671	NEEDLE SET, JET (NCVT) .....	(1)	-	-	-	-		
	16201-KRN-731	NEEDLE SET, JET (NCYN) .....	-	(1)	-	-	-		
	16229-KRN-731	NEEDLE SET, JET (NCVN) .....	-	(1)	-	-	-		
	16201-KRN-851	NEEDLE SET, JET (NHFQ) .....	-	-	(1)	-	-		
	16202-KRN-851	NEEDLE SET, JET (NHFR) .....	-	-	(1)	-	-		
	16203-KRN-851	NEEDLE SET, JET (NHFS) .....	-	-	1	-	-		
	16204-KRN-851	NEEDLE SET, JET (NHFT) .....	-	-	(1)	-	-		
	16205-KRN-851	NEEDLE SET, JET (NHFU) .....	-	-	(1)	-	-		
	16230-KRN-851	NEEDLE SET, JET (NHGQ) .....	-	-	(1)	-	-		
	16231-KRN-851	NEEDLE SET, JET (NHGR) .....	-	-	(1)	-	-		
	16232-KRN-851	NEEDLE SET, JET (NHGS) .....	-	-	(1)	-	-		
	16233-KRN-851	NEEDLE SET, JET (NHGT) .....	-	-	(1)	-	-		
	16234-KRN-851	NEEDLE SET, JET (NHGU) .....	-	-	(1)	-	-		
	16201-KRN-A01	NEEDLE SET, JET (NKBR) .....	-	-	-	(1)	-		
	16201-KRN-E01	NEEDLE SET, JET (NHVR) .....	-	-	-	(1)	-		
	16202-KRN-A01	NEEDLE SET, JET (NKBS) .....	-	-	-	(1)	-		
	16202-KRN-E01	NEEDLE SET, JET (NHVS) .....	-	-	-	(1)	-		
	16203-KRN-A01	NEEDLE SET, JET (NKBT) .....	-	-	-	(1)	-		
	16203-KRN-E01	NEEDLE SET, JET (NHVT) .....	-	-	-	1	-		
	16204-KRN-A01	NEEDLE SET, JET (NKBU) .....	-	-	-	(1)	-		
	16204-KRN-E01	NEEDLE SET, JET (NHVU) .....	-	-	-	(1)	-		
	16205-KRN-A01	NEEDLE SET, JET (NKBV) .....	-	-	-	(1)	-		
	16205-KRN-E01	NEEDLE SET, JET (NHVV) .....	-	-	-	(1)	-		
	16201-KRN-E12	NEEDLE SET, JET (NMTR) .....	-	-	-	-	(1)		
	16202-KRN-E12	NEEDLE SET, JET (NMTS) .....	-	-	-	-	(1)		
	16203-KRN-E12	NEEDLE SET, JET (NMTT) .....	-	-	-	-	1		
	16204-KRN-E12	NEEDLE SET, JET (NMTU) .....	-	-	-	-	(1)		
	16205-KRN-E12	NEEDLE SET, JET (NMTV) .....	-	-	-	-	(1)		
	16230-KRN-E12	NEEDLE SET, JET (NMSR) .....	-	-	-	-	(1)		
	16231-KRN-E11	NEEDLE SET, JET (NMSS) .....	-	-	-	-	(1)		
	16232-KRN-E11	NEEDLE SET, JET (NMST) .....	-	-	-	-	(1)		
	16233-KRN-E11	NEEDLE SET, JET (NMSU) .....	-	-	-	-	(1)		
	16234-KRN-E11	NEEDLE SET, JET (NMSV) .....	-	-	-	-	(1)		
36	93892-04008-18	SCREW-WASHER, 4X8 .....	4	4	4	4	4		
37	93892-04014-18	SCREW-WASHER, 4X14 .....	4	4	4	4	4		
38	95002-02079	CLIP, TUBE (B7) .....	5	5	5	5	5		
39	99101-357-1500	JET, MAIN, #150 .....	(1)	-	-	-	-		



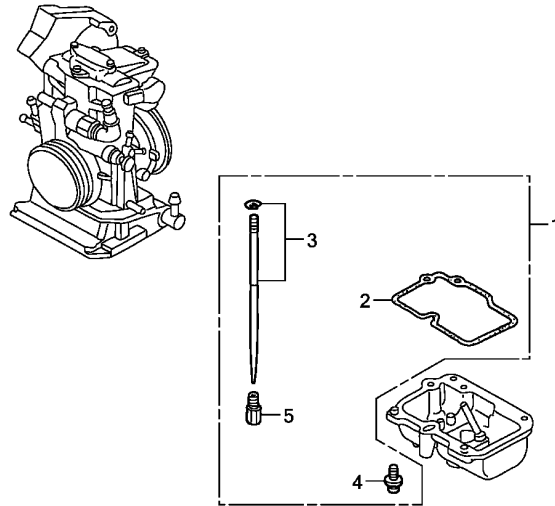


Ref. No.	Part No.	Description	Reqd. QTY				Serial No.	Parts catalogue code
			4	5	6	7		
39)	99101-357-1520	JET, MAIN, #152	(1)	-	-	-	-	
	99101-357-1550	JET, MAIN, #155	(1)	-	-	-	-	
	99101-357-1580	JET, MAIN, #158	(1)	-	(1)	-	-	
	99101-357-1600	JET, MAIN, #160	1	-	(1)	-	-	
	99101-357-1620	JET, MAIN, #162	(1)	(1)	(1)	(1)	-	
	99101-357-1650	JET, MAIN, #165	(1)	(1)	(1)	(1)	-	
	99101-357-1680	JET, MAIN, #168	(1)	(1)	1	(1)	(1)	
	99101-357-1700	JET, MAIN, #170	(1)	(1)	(1)	(1)	(1)	
	99101-357-1720	JET, MAIN, #172	-	1	(1)	1	(1)	
	99101-357-1750	JET, MAIN, #175	-	(1)	(1)	(1)	(1)	
	99101-357-1780	JET, MAIN, #178	-	(1)	(1)	(1)	1	
	99101-357-1800	JET, MAIN, #180	-	(1)	-	(1)	(1)	
	99101-357-1820	JET, MAIN, #182	-	(1)	-	(1)	(1)	
	99101-357-1850	JET, MAIN, #185	-	-	-	-	(1)	
	99101-357-1880	JET, MAIN, #188	-	-	-	-	(1)	
40	99103-440-0350	JET, SLOW, #35	(1)	-	-	-	-	
	99103-440-0380	JET, SLOW, #38	(1)	(1)	(1)	(1)	(1)	
	99103-440-0400	JET, SLOW, #40	1	(1)	(1)	(1)	(1)	
	99103-440-0420	JET, SLOW, #42	(1)	1	1	1	1	
	99103-440-0450	JET, SLOW, #45	(1)	(1)	(1)	(1)	(1)	
	99103-440-0480	JET, SLOW, #48	-	(1)	(1)	(1)	(1)	
41	99104-MEB-1000	JET, SLOW AIR, #100	1	1	1	1	-	
42	99108-KRN-0400	JET, LEAK, #40	-	-	(1)	-	-	
	99108-KRN-0450	JET, LEAK, #45	-	-	(1)	-	-	
	99108-KRN-0500	JET, LEAK, #50	-	-	(1)	-	-	
	99108-KRN-0700	JET, LEAK, #70	1	1	-	(1)	(1)	
	99108-KRN-0750	JET, LEAK, #75	-	-	-	1	(1)	
	99108-KRN-0800	JET, LEAK, #80	-	-	-	(1)	-	

2

Ref. No.	Part No.	Description	Reqd. QTY					Serial No.	Parts catalogue code
			4	5	6	7	8		
42)	99108-KRN-0850	JET, LEAK, #85 .....	-	-	-	(1)	-		
	99108-KSC-0650	JET, LEAK, #65 .....	-	-	-	(1)	1		
	99108-KSE-0600	JET, LEAK, #60 .....	-	-	-	-	(1)		
	99108-MEB-0550	JET, LEAK, #55 .....	-	-	1	-	(1)		
43	99112-KRN-0680	JET, BY-STARTER, #68 .....	1	1	1	1	1		
44	16010-KSC-671	GASKET SET .....	-	-	1	1	1		
45	16015-KRN-851	CHAMBER SET, FLOAT .....	-	-	1	-	-		
	16015-KRN-A01	.....	-	-	-	1	1		
46	16076-ND5-004	O-RING, 1.3X4.3 .....	-	-	1	1	1		
47	16022-KRN-851	DIAPHRAGM COMP. #15 .....	-	-	(1)	-	-		
	16023-KRN-851	DIAPHRAGM COMP. #20 .....	-	-	1	-	-		
48	16075-KRN-851	U-RING .....	-	-	1	-	-		
49	16178-548-004	O-RING, 5.8X1.9 .....	-	-	1	-	-		
50	16088-KRN-A01	CLIP .....	-	-	-	1	1		
51	16014-KRN-A01	TOP SET .....	-	-	-	1	1		
52	90651-680-961	HOLDER, CABLE .....	-	-	-	-	1		
53	99101-357-1580	JET, MAIN, #158 .....							
		(OTHER PARTS)	1	-	-	-	-		
	99101-357-1620	JET, MAIN, #162 .....							
		(OTHER PARTS)	1	-	-	-	-		
	99101-357-1650	JET, MAIN, #165 .....							
		(OTHER PARTS)	-	-	1	-	-		
	99101-357-1700	JET, MAIN, #170 .....							
		(OTHER PARTS)	-	1	1	1	-		
	99101-357-1750	JET, MAIN, #175 .....							
		(OTHER PARTS)	-	1	-	1	1		
	99101-357-1800	JET, MAIN, #180 .....							
		(OTHER PARTS)	-	-	-	-	1		
54	99103-440-0380	JET, SLOW, #38 .....							
		(OTHER PARTS)	1	-	-	-	-		
	99103-440-0400	JET, SLOW, #40 .....							
		(OTHER PARTS)	-	1	1	1	1		
	99103-440-0420	JET, SLOW, #42 .....							
		(OTHER PARTS)	1	-	-	-	-		
	99103-440-0450	JET, SLOW, #45 .....							
		(OTHER PARTS)	-	1	1	1	1		





KRN3E1801

Ref. L.O.N. (Relative ref. Number) F.R.T.  
No. Description

NO INFORMATION .....

Ref. No.	Part No.	Description	Reqd. QTY					Serial No.	Parts catalogue code
			4	5	6	7	8		
1	16020-KRN-671	PARTS KIT, CARBURETOR OPTIONAL	(1)	-	-	-	-		
	16020-KRN-732	.....	-	(1)	-	-	-		
	16020-KRN-861	.....	-	-	(1)	-	-		
	16020-KRN-E01	.....	-	-	-	(1)	-		
	16020-KRN-E12	.....	-	-	-	-	(1)		
2	16163-MEB-671	GASKET, FLOAT CHAMBER	(5)	(5)	(5)	(5)	(5)		
3	16201-MEN-671	NEEDLE SET, JET (NCYP)	(1)	(1)	-	-	-		
	16202-MEN-671	NEEDLE SET, JET (NCYQ)	(1)	-	-	-	-		
	16203-MEN-671	NEEDLE SET, JET (NCYR)	-	(1)	-	-	-		
	16204-MEN-671	NEEDLE SET, JET (NCYS)	(1)	(1)	-	-	-		
	16205-MEN-671	NEEDLE SET, JET (NCYT)	(1)	-	-	-	-		
	16230-MEN-671	NEEDLE SET, JET (NCVP)	(1)	(1)	-	-	-		
	16231-MEN-671	NEEDLE SET, JET (NCVQ)	(1)	(1)	-	-	-		
	16232-MEN-671	NEEDLE SET, JET (NCVR)	(1)	(1)	-	-	-		
	16233-MEN-671	NEEDLE SET, JET (NCVS)	(1)	(1)	-	-	-		
	16234-MEN-671	NEEDLE SET, JET (NCVT)	(1)	-	-	-	-		
	16201-KRN-731	NEEDLE SET, JET (NCYN)	-	(1)	-	-	-		
	16229-KRN-731	NEEDLE SET, JET (NCVN)	-	(1)	-	-	-		
	16201-KRN-851	NEEDLE SET, JET (NHFQ)	-	-	(1)	-	-		
	16202-KRN-851	NEEDLE SET, JET (NHFR)	-	-	(1)	-	-		
	16204-KRN-851	NEEDLE SET, JET (NHFT)	-	-	(1)	-	-		
	16205-KRN-851	NEEDLE SET, JET (NHFU)	-	-	(1)	-	-		
	16230-KRN-851	NEEDLE SET, JET (NHGQ)	-	-	(1)	-	-		
	16231-KRN-851	NEEDLE SET, JET (NHGR)	-	-	(1)	-	-		
	16232-KRN-851	NEEDLE SET, JET (NHGS)	-	-	(1)	-	-		
	16233-KRN-851	NEEDLE SET, JET (NHGT)	-	-	(1)	-	-		
	16234-KRN-851	NEEDLE SET, JET (NHGU)	-	-	(1)	-	-		
	16201-KRN-A01	NEEDLE SET, JET (NKBR)	-	-	-	(1)	-		
	16202-KRN-A01	NEEDLE SET, JET (NKBS)	-	-	-	(1)	-		

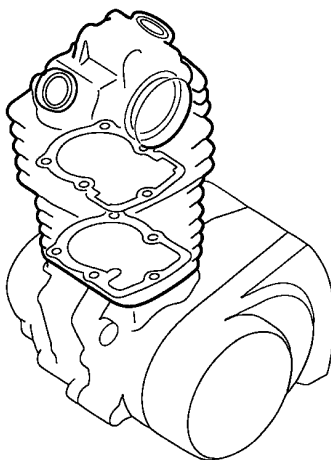
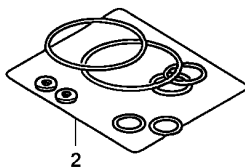
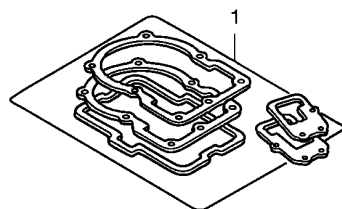
Ref. No.	Part No.	Description	Reqd. QTY					Serial No.	Parts catalogue code
			4	5	6	7	8		
(3)	16203-KRN-A01	NEEDLE SET, JET (NKBT)	-	-	-	(1)	-		
	16204-KRN-A01	NEEDLE SET, JET (NKBU)	-	-	-	(1)	-		
	16205-KRN-A01	NEEDLE SET, JET (NKBV)	-	-	-	(1)	-		
	16201-KRN-E01	NEEDLE SET, JET (NHVR)	-	-	-	(1)	-		
	16202-KRN-E01	NEEDLE SET, JET (NHVS)	-	-	-	(1)	-		
	16204-KRN-E01	NEEDLE SET, JET (NHVU)	-	-	-	(1)	-		
	16205-KRN-E01	NEEDLE SET, JET (NHVV)	-	-	-	(1)	-		
	16201-KRN-E12	NEEDLE SET, JET (NMTR)	-	-	-	-	(1)		
	16202-KRN-E12	NEEDLE SET, JET (NMTS)	-	-	-	-	(1)		
	16204-KRN-E12	NEEDLE SET, JET (NMTU)	-	-	-	-	(1)		
	16205-KRN-E12	NEEDLE SET, JET (NMTV)	-	-	-	-	(1)		
	16230-KRN-E12	NEEDLE SET, JET (NMSR)	-	-	-	-	(1)		
	16231-KRN-E11	NEEDLE SET, JET (NMSS)	-	-	-	-	(1)		
	16232-KRN-E11	NEEDLE SET, JET (NMST)	-	-	-	-	(1)		
	16233-KRN-E11	NEEDLE SET, JET (NMSU)	-	-	-	-	(1)		
	16234-KRN-E11	NEEDLE SET, JET (NMSV)	-	-	-	-	(1)		
4	93892-04014-18	SCREW-WASHER, 4X14	(10)	(10)	(10)	(10)	(10)		
5	99101-357-1500	JET, MAIN, #150	(1)	-	-	-	-		
	99101-357-1520	JET, MAIN, #152	(1)	-	-	-	-		
	99101-357-1550	JET, MAIN, #155	(1)	-	-	-	-		
	99101-357-1580	JET, MAIN, #158	(1)	-	(1)	-	-		
	99101-357-1600	JET, MAIN, #160	-	-	(1)	-	-		
	99101-357-1620	JET, MAIN, #162	(1)	(1)	(1)	(1)	-		
	99101-357-1650	JET, MAIN, #165	(1)	(1)	(1)	(1)	-		
	99101-357-1680	JET, MAIN, #168	(1)	(1)	-	(1)	(1)		
	99101-357-1700	JET, MAIN, #170	(1)	(1)	(1)	(1)	(1)		
	99101-357-1720	JET, MAIN, #172	-	-	(1)	-	(1)		
	99101-357-1750	JET, MAIN, #175	-	(1)	(1)	(1)	(1)		
	99101-357-1780	JET, MAIN, #178	-	(1)	(1)	(1)	-		
	99101-357-1800	JET, MAIN, #180	-	(1)	-	(1)	(1)		
	99101-357-1820	JET, MAIN, #182	-	(1)	-	(1)	(1)		



EOP-1

GASKET KIT A

F 5



ENG1X0001B

Ref. L.O.N. (Relative ref. Number) F.R.T.  
No. Description

NO INFORMATION .....

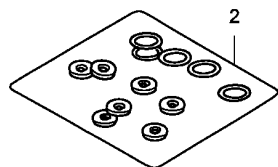
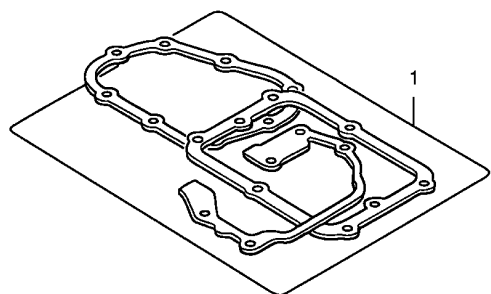
Ref. No.	Part No.	Description	Reqd. QTY					Serial No.	Parts catalogue code
			4	5	6	7	8		
1	06113-KRN-700	GASKET SHEET KIT A .....	1	-	-	-	-		
	06113-KRN-710	.....							
		(COMPONENT PARTS)	-	1	1	1	-		
	12191-KRN-671	GASKET, CYLINDER .....	1	-	-	-	-		
	12191-KRN-731	.....	-	1	1	1	-		
	12251-KRN-671	GASKET, CYLINDER HEAD .....	1	-	-	-	-		
	12251-KRN-731	.....	-	1	1	1	-		
	12391-KRN-670	GASKET, HEAD COVER .....	1	1	1	1	-		
	14560-MEN-671	GASKET, TENSIONER LIFTER ....	1	1	1	1	-		
	18291-MM5-860	GASKET, EX. PIPE .....	1	1	1	1	-		
2	06114-KRN-700	WASHER O-RING KIT A .....							
		(COMPONENT PARTS)	1	1	1	1	-		
	12226-MEB-670	SEAL, RING .....	1	1	1	1	-		
	90442-397-000	WASHER, SEALING, 6MM .....	1	1	1	1	-		
	90543-MV9-670	RUBBER, MOUNTING .....	2	2	2	2	-		
	91303-377-000	O-RING, 13.8X2.5 .....	1	1	1	1	-		

2

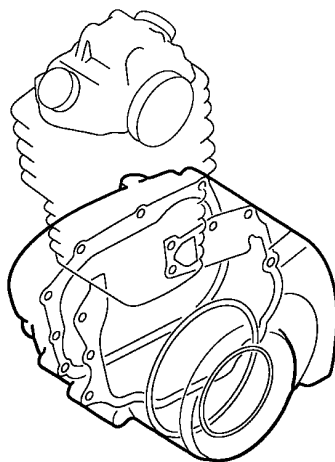
**EOP-2**

**GASKET KIT B**

**F 6**



← IFR.



ENG2X0001B

Ref. L.O.N. (Relative ref. Number) F.R.T.  
No. Description

NO INFORMATION .....

Ref. No.	Part No.	Description	Reqd. QTY					Serial No.	Parts catalogue code
			4	5	6	7	8		
1	06115-KRN-A00	GASKET SHEET KIT B .....	-	-	-	1	-		
	06115-KRN-700	.....	1	1	-	-	-		
	06115-KRN-840	.....	-	-	-	-	-		
		(COMPONENT PARTS)							
	11191-KRN-670	GASKET, CRANKCASE .....	1	1	-	-	-		
	11191-KRN-850	.....	-	-	1	1	-		
	11352-KRN-671	GASKET, CLUTCH COVER .....	1	1	1	1	-		
	11394-KRN-A00	GASKET, R. COVER .....	-	-	-	1	-		
	11394-KRN-670	.....	1	1	1	-	-		
	11395-KRN-670	GASKET, L. COVER .....	1	1	1	1	-		
	19226-KRN-670	GASKET, WATER PUMP .....	1	1	1	1	-		
2	06116-KRN-700	WASHER O-RING KIT B .....	1	1	1	1	-		
		(COMPONENT PARTS)							
	90447-KE1-000	WASHER, SEALING, 7MM .....	2	2	2	2	-		
	90463-ML7-000	WASHER, SEALING, 6.5MM .....	2	2	2	2	-		
	90474-333-000	WASHER, SEALING, 8MM .....	2	2	2	2	-		
	90751-GK1-003	O-RING, 8.5X1.7 .....	1	1	1	1	-		
	91301-KSR-A01	O-RING, 22MM .....	1	1	1	1	-		
	91302-PA9-003	O-RING, 39.8X2.2(ARAI) .....	1	1	1	1	-		
	91303-377-000	O-RING, 13.8X2.5 .....	1	1	1	1	-		
	91304-MJ0-003	O-RING, 15.8X2.4(SHOWA) .....	1	1	1	1	-		
	91305-KF0-003	O-RING, 27X2(ARAI) .....	1	1	1	1	-		
	91307-035-000	O-RING, 18X3 .....	2	2	2	2	-		
	91312-KE7-003	O-RING, 19X3(NOK) .....	1	1	1	1	-		

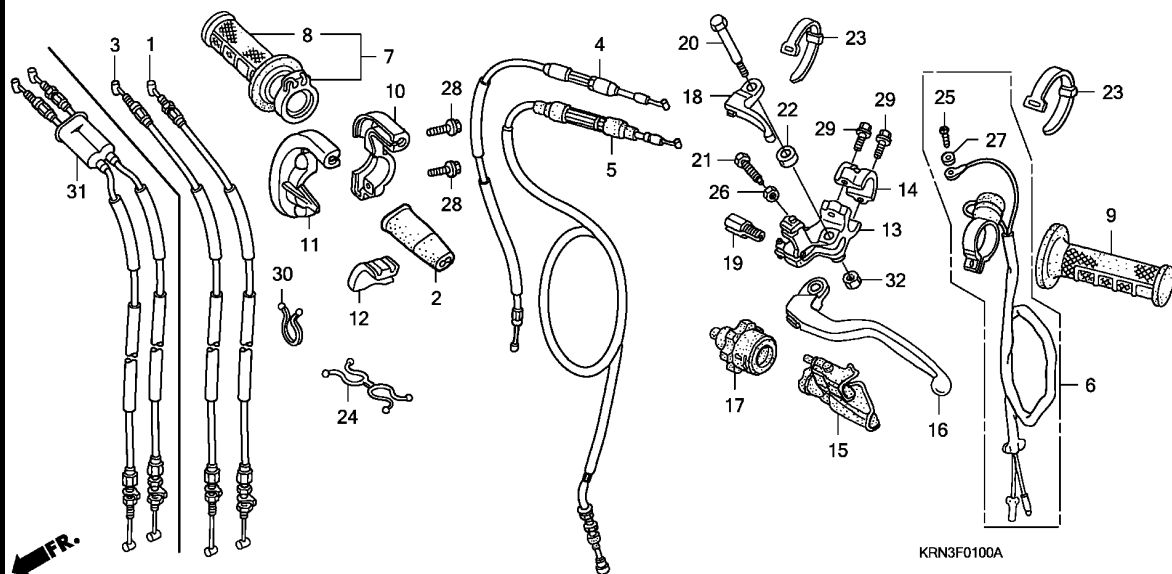
**2**



F-1

HANDLE LEVER/SWITCH/CABLE

G 1



Ref. No.	L.O.N.	(Relative ref. Number) Description	F.R.T.
1		(3,31)	
1	811100	CABLE, THROTTLE .....	0.7
		.NOTE: Same time for two units	
4	8111B5	CABLE, HOT STARTER .....	0.7
5	811115	CABLE, CLUTCH .....	0.2
6	6151D8	SWITCH, ENGINE STOP .....	0.2
7	810150	GRIP, THROTTLE .....	0.1
8	8101C1	GRIP, HANDLE :RIGHT .....	0.2
9	8101C0	GRIP, HANDLE :LEFT .....	0.1
10		(11)	
10	810155	HOUSING, THROTTLE .....	0.2
		.NOTE: Same time for two units	
13	8101C8	BRACKET, HANDLE LEVER :LEFT ..	0.2
16	8101C6	LEVER, HANDLE :LEFT .....	0.1
	8101F5	LEVER, HANDLE :BOTH .....	0.2
18	8101F2	LEVER, HOT STARTER .....	0.1

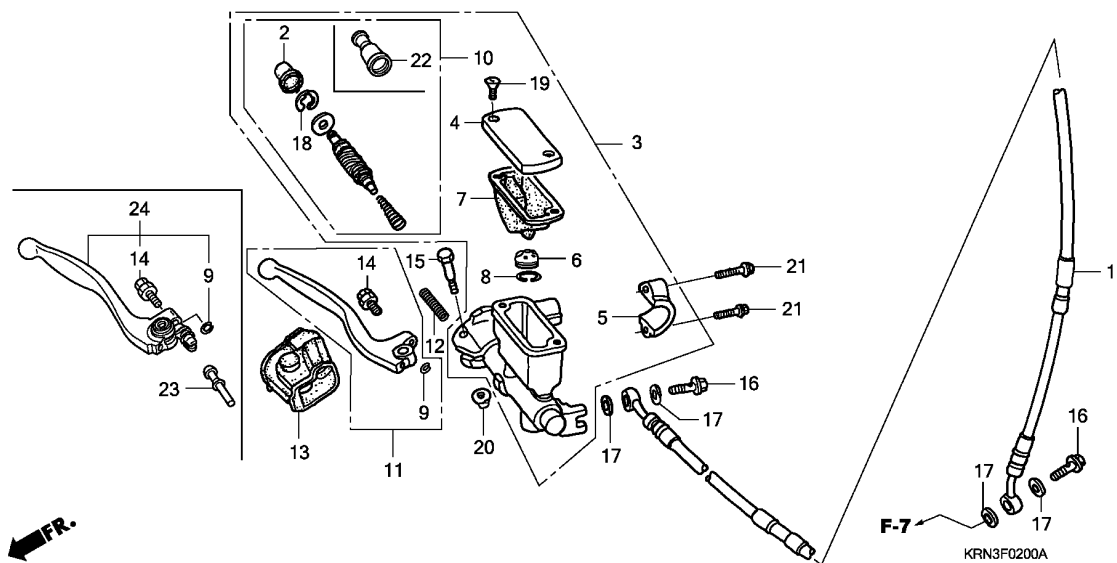
KRN3F0100A

3

Ref. No.	Part No.	Description	Reqd. QTY					Serial No.	Parts catalogue code
			4	5	6	7	8		
1	17910-KRN-000	CABLE COMP. A, THROTTLE .....	1	1	1	-	-		
2	17913-KB7-000	COVER, THROTTLE CABLE .....	1	1	1	-	-		
3	17920-KRN-000	CABLE COMP. B, THROTTLE .....	1	1	1	-	-		
4	17950-KRN-000	CABLE COMP., HOT STARTER .....	1	1	1	1	1		
	17950-MEN-A10	.....	-	-	-	-	-	1	
5	22870-KRN-000	CABLE COMP., CLUTCH .....	1	1	1	1	1		
	22870-KRN-A10	.....	-	-	-	-	-	1	
6	35130-MEB-670	SWITCH ASSY., KILL .....	1	1	1	1	1		
7	53140-MEB-671	GRIP COMP., THROTTLE .....	1	1	1	1	1		
8	53165-GBF-J60	GRIP, R. HANDLE .....	1	1	1	1	1		
9	53166-GBF-J60	GRIP, L. HANDLE .....	1	1	1	1	1		
10	53167-MEB-671	HOUSING, UPPER THROTTLE .....	1	1	-	-	-		
			-	-	1	-	-	-----	U/A
			-	-	1	-	-	-----	6K211090 ED/A
			-	-	1	-	-	-----	6M230000 U
			-	-	1	-	-	-----	6M230005 ED
	53167-MEB-672	.....	-	-	1	-	-	-----	ED/B,U/B
			-	-	1	-	-	-----	6K211091 ED/A
			-	-	1	-	-	-----	6M230001 U
			-	-	1	-	-	-----	6M230006 ED
			-	-	-	1	1		
11	53168-MEB-670	HOUSING, UNDER THROTTLE .....	1	1	-	-	-		
			-	-	1	-	-	-----	U/A
			-	-	1	-	-	-----	6K211090 ED/A
			-	-	1	-	-	-----	6M230000 U
			-	-	1	-	-	-----	6M230005 ED

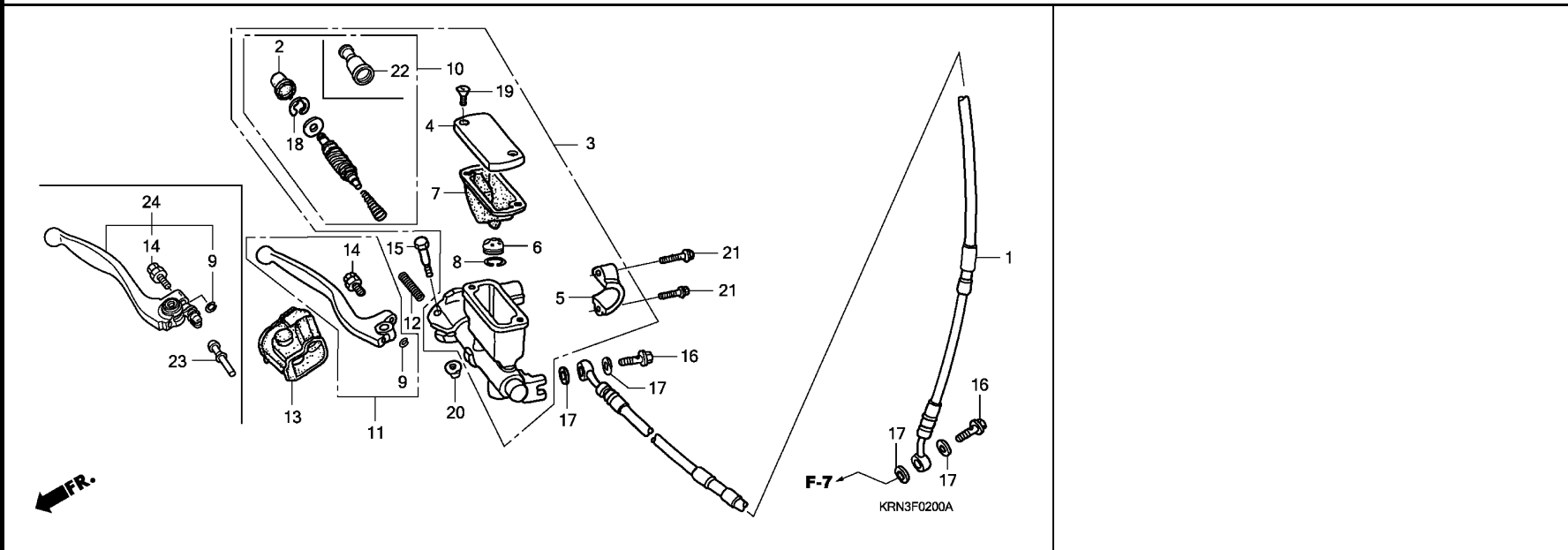
Ref. No.	Part No.	Description	Reqd. QTY					Serial No.	Parts catalogue code
			4	5	6	7	8		
11)	53168-MEB-671	HOUSING, UNDER THROTTLE .....	-	-	1	-	-	-----	ED/B,U/B
			-	-	1	-	-	6K211091	----- ED/A
			-	-	1	-	-	6M230001	----- U
			-	-	1	-	-	6M230006	----- ED
			-	-	-	1	1		
12	53169-MEB-670	SLIDER, THROTTLE CABLE .....	1	1	1	1	1		
13	53172-MEN-670	BRACKET, L. HANDLE LEVER .....	1	1	1	1	1		
14	53174-KCE-670	HOLDER, L. LEVER BRACKET .....	1	1	1	1	1		
15	53177-MEN-670	COVER, L. HANDLE LEVER .....	1	1	1	1	1		
16	53178-MEN-670	LEVER, L. STEERING HANDLE ...	1	1	1	-	-		
	53178-MEN-A01	.....	-	-	-	1	1		
17	53179-MEN-671	DIAL, CLUTCH CABLE ADJUSTING	1	1	1	1	1		
18	53190-MEN-670	LEVER, HOT STARTER .....	1	1	1	1	1		
19	53192-MEN-670	BOLT, WIRE ADJUSTING .....	1	1	1	1	1		
20	90113-MEN-670	BOLT, HANDLE LEVER PIVOT .....	1	1	1	-	-		
	90113-MEY-A10	.....	-	-	-	1	1		
21	90118-MEN-670	BOLT, LEVER PIVOT .....	1	1	1	1	1		
22	90501-MEN-670	COLLAR, PIVOT .....	1	1	1	1	1		
23	90650-KV6-003	BAND, WIRE .....	2	2	2	2	2		
24	90658-SAO-003	CLIP, WIRE HARNESS .....	1	1	1	1	1		
25	93500-04012-1A	SCREW, PAN, 4X12 .....	1	1	1	1	1		
26	94001-06000-0S	NUT, HEX., 6MM .....	1	1	1	1	1		
27	94111-04000	WASHER, SPRING, 4MM .....	1	1	1	1	1		
28	96001-06018-07	BOLT, FLANGE, 6X18 .....	2	2	2	-	-		
	96001-06020-07	BOLT, FLANGE, 6X20 .....	-	-	-	2	2		
29	96001-06022-00	BOLT, FLANGE, 6X22 .....	2	2	2	2	2		
30	32171-GF9-621	LOCK, PURSE .....	1	1	1	1	1		
31	17900-KRN-A00	CABLE ASSY., THROTTLE .....	-	-	-	1	1		
32	94001-06000-0S	NUT, HEX., 6MM .....	1	1	1	-	-		
	90301-782-000	NUT, U, 6MM .....	-	-	-	1	1		





Ref. No.	L.O.N.	(Relative ref. Number) Description	F.R.T.
1	7121A0	HOSE, FRONT BRAKE ..... .INCLUDES: Bleed brakes	0.4
3	712105	CYLINDER, FRONT BRAKE MASTER ..... .INCLUDES: Bleed brakes	0.4
7	7121G6	DIAPHRAGM, FRONT BRAKE MASTER CYLINDER .....	0.1
10	7121G9	PISTON SET, FRONT BRAKE MASTER ..... .INCLUDES: Bleed brakes	0.4
11		(23,24)	
	8101C7	LEVER, HANDLE :RIGHT .....	0.1
	8101F5	LEVER, HANDLE :BOTH .....	0.2

Ref. No.	Part No.	Description	Reqd. QTY					Serial No.	Parts catalogue code
			4	5	6	7	8		
1	45125-MEN-003	HOSE COMP., FR. BRAKE .....	1	1	1	1	1	-	
2	45504-KN5-006	BOOT COMP. ....	1	1	1	-	-	-	
3	45510-KCE-671	CYLINDER SUB ASSY., FR. BRAKE MASTER (NISSIN)	1	1	1	-	-	-	
	45510-MEN-J01	CYLINDER SUB ASSY., FR. MASTER	-	-	-	1	1	-	
4	45513-KCE-671	CAP, MASTER CYLINDER .....	1	1	1	1	1	1	
5	45517-GW0-751	HOLDER, MASTER CYLINDER .....	1	1	1	1	1	1	
6	45518-KA3-731	SEPARATOR COMP. ....	1	1	1	-	-	-	
	45518-MEN-J01		-	-	-	1	1	1	
7	45520-KA3-731	DIAPHRAGM .....	1	1	1	1	1	1	
8	45523-KA3-731	RING .....	1	1	1	1	1	1	
9	45523-MEB-003	RING .....	1	1	1	1	1	1	
10	45530-KCE-671	PISTON SET, MASTER CYLINDER .....	1	1	1	-	-	-	
	45530-MEN-J01		-	-	-	1	1	1	
11	53170-MEB-003	LEVER SET, R. HANDLE .....	1	1	1	-	-	-	
12	53174-KN5-006	SPRING, BRAKE LEVER .....	1	1	1	1	1	1	
13	53176-ML3-791	COVER, R. HANDLE LEVER .....	1	1	1	-	-	-	
	53176-MEN-J01		-	-	-	1	1	1	
14	90111-MEB-003	BOLT SET, ADJUSTING .....	1	1	1	1	1	1	
15	90114-166-006	BOLT, HANDLE LEVER PIVOT .....	1	1	1	-	-	-	
	90114-MEN-J01	BOLT, HANDLE LEVER .....	-	-	-	1	1	1	
16	90145-MS9-612	BOLT, OIL, 10X22 .....	2	2	2	2	2	2	
17	90545-300-000	WASHER, OIL BOLT .....	4	4	4	4	4	4	
18	90651-MA5-671	CIRCLIP .....	1	1	1	1	1	1	
19	93600-04012-16	SCREW, FLAT, 4X12 .....	2	2	2	2	2	2	
20	94050-06000	NUT, FLANGE, 6MM .....	1	1	1	1	1	1	

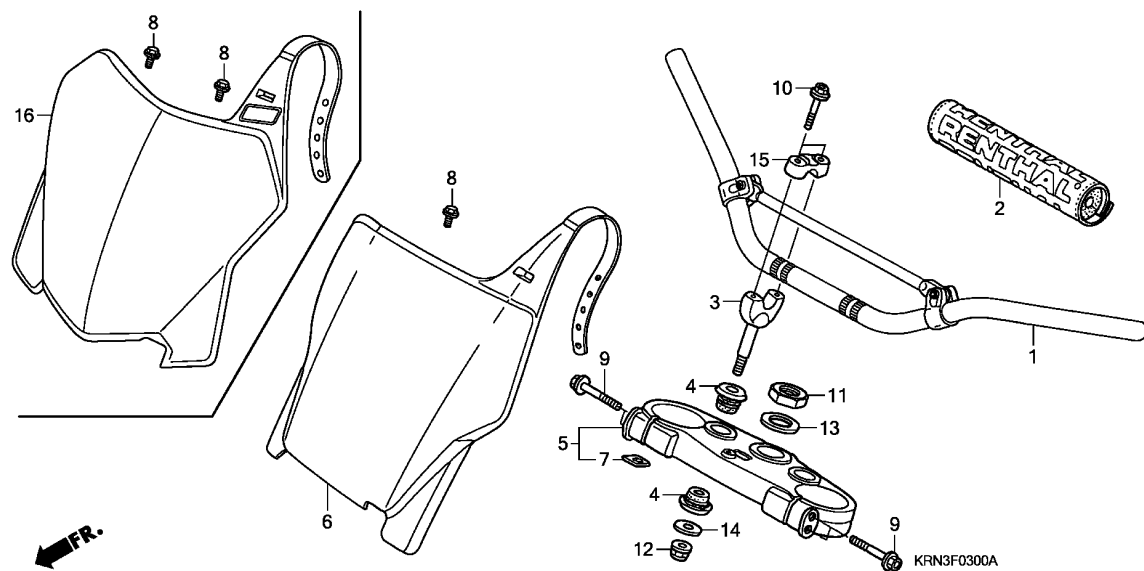


Ref. No.	Part No.	Description	Reqd. QTY					Serial No.	Parts catalogue code
			4	5	6	7	8		
21	96001-06022-00	BOLT, FLANGE, 6X22 .....	2	2	2	2	2		
22	45504-MEN-J01	BOOT COMP. ....	-	-	-	1	1		
23	45525-MEN-J01	ROD, PUSH .....	-	-	-	1	1		
24	53171-MEN-J01	LEVER COMP., R. STEERING HANDLE	-	-	-	1	1		

F-3

HANDLE PIPE/TOP BRIDGE

G 5



Ref. No.	L.O.N.	(Relative ref. Number) Description	F.R.T.
1	810100	PIPE, STEERING HANDLE .....	0.4
3	8101B9	HOLDER, HANDLE :LOWER .....	0.2
	8101B9A	.Replace 1 handle holder add ..	0.1
5	510110	BRIDGE, FORK TOP .....	0.4
6		(16)	
	4131K8	PLATE, FRONT NUMBER .....	0.1

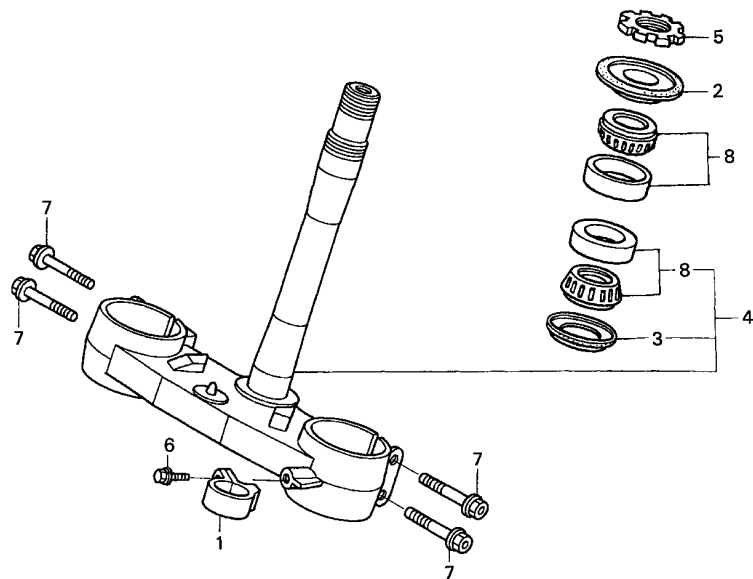
3

Ref. No.	Part No.	Description	Reqd. QTY					Serial No.	Parts catalogue code
			4	5	6	7	8		
1	53100-MEN-670	PIPE, STEERING HANDLE .....	1	1	1	1	1		
2	53121-MEN-670	PROTECTOR, HANDLE .....	1	1	1	1	1		
	53121-MEN-671	.....	-	-	-	-	1		
3	53132-KZ4-J20	HOLDER, HANDLE UNDER .....	2	2	2	2	2		
	53132-KA3-831	.....	(2)	(2)	(2)	(2)	(2)		
4	53133-KA3-832	CUSHION, HANDLE PIPE .....	4	4	4	4	4		
5	53300-MEN-000	BRIDGE COMP., FORK TOP .....	1	1	1	1	1		
	53300-MEN-A10	.....	-	-	-	-	1		
6	61136-MEN-670ZA	PLATE, FR. NUMBER							
	*NH196*	.....ROSS WHITE	1	1	1	1	-		
7	86150-KPG-901	EMBLEM, PRODUCT (MARUI) .....	1	1	1	1	1		
8	90004-GHB-600	BOLT, FLANGE, 6X10(NSHF) .....	1	1	1	1	2		
9	90107-KZ4-J40	BOLT, FLANGE, 8X45 .....	4	4	4	4	4		
10	90124-KZ4-J40	BOLT, FLANGE, 8X35 .....	4	4	4	4	4		
11	90304-KZ4-J30	NUT, STEERING STEM .....	1	1	1	1	1		
12	90306-KZ4-711	NUT, U, 10MM .....	2	2	2	2	2		
13	90503-KZ4-J40	WASHER, STEERING STEM .....	1	1	1	1	1		
14	90507-KA3-830	WASHER, PLAIN, 10MM .....	2	2	2	2	2		
15	95014-22100	HOLDER B1, HANDLE PIPE UPPER	2	2	2	2	2		
16	61140-MEN-A10ZB	PLATE SET, FR. NUMBER							
	*NH196*	.....ROSS WHITE	-	-	-	-	1		

F-4

STEERING STEM (CRF250R4/5/6/7)

G 6



Ref. No.	L.O.N.	(Relative ref. Number) Description	F.R.T.
4	510100	STEM OR SHAFT ASSY., STEERING	0.7
5	5101B2	THREAD, STEERING HEAD TOP ....	0.3
8	5101B6	BEARING, HEAD PIPE :UPPER ....	0.7
	5101B7	BEARING, HEAD PIPE :LOWER ....	0.9
	5101C7	BEARING, HEAD PIPE :BOTH .....	0.9

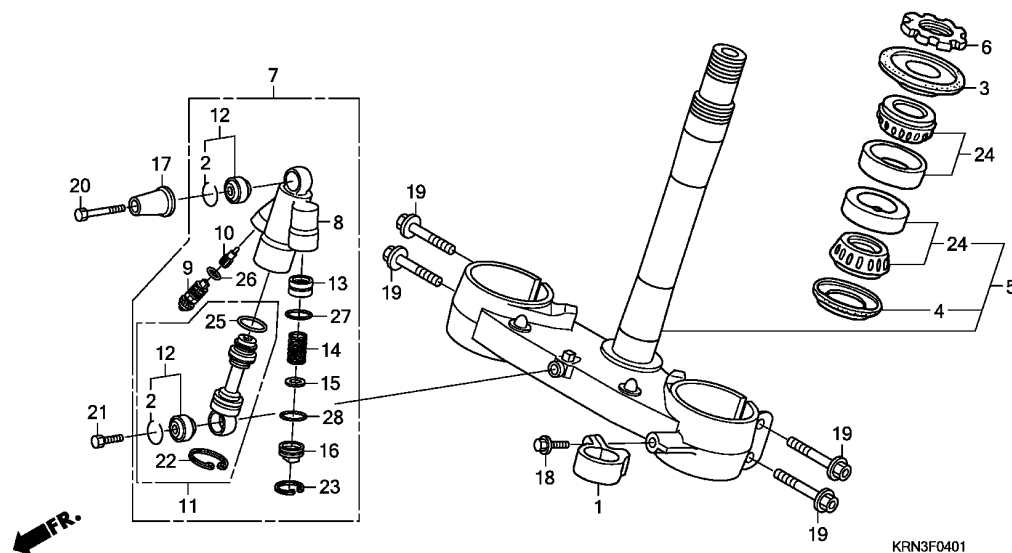
Ref. No.	Part No.	Description	Reqd. QTY					Serial No.	Parts catalogue code
			4	5	6	7	8		
1	45468-KS7-830	GUIDE, FR. BRAKE HOSE .....	1	1	1	1	-		
2	53214-KZ3-861	DUST SEAL, STEERING HEAD (ARAI)	1	1	1	1	-		
3	53214-KZ4-701	DUST SEAL, STEERING HEAD (ARAI)	1	1	1	1	-		
4	53219-MEN-000	STEM SUB ASSY., STEERING .....	1	-	-	-	-		
	53219-KRN-710	.....	-	1	1	1	-		
5	53229-KZ4-J30	THREAD, STEERING HEAD TOP ...	1	1	1	1	-		
6	90106-MJ0-000	BOLT, FLANGE, 6X16 .....	1	1	1	1	-		
7	90107-KZ4-J40	BOLT, FLANGE, 8X45 .....	4	4	4	4	-		
8	91015-KZ4-701	BEARING, HEAD PIPE (NTN) ....	2	2	2	2	-		

3

F-4-1

STEERING STEM(CRF250R8)/STEERING DAMPER

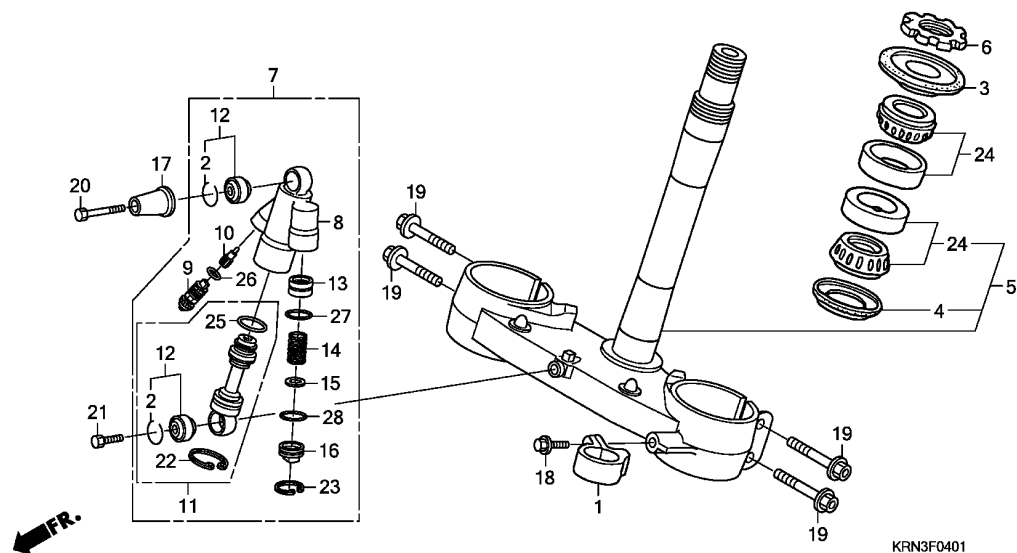
G 7



Ref. No.	L.O.N.	(Relative ref. Number) Description	F.R.T.
5	510100	STEM OR SHAFT ASSY., STEERING	0.7
6	5101B2	THREAD, STEERING HEAD TOP ....	0.3
7	5101C4	DAMPER, STEERING .....	0.2
8	5101G4	CASE, STEERING DAMPER .....	0.8
11	5101G3	ROD ASSY., STEERING DAMPER ...	0.4
12	5101G2	BEARING, STEERING DAMPER .....	0.4
	5101G2A	.Replace 1 bearing add .....	0.1
13		(9,10,26,27)	
	5101G5	PISTON, STEERING DAMPER .....	0.3
24	5101B6	BEARING, HEAD PIPE :UPPER ....	0.7
	5101B7	BEARING, HEAD PIPE :LOWER ....	0.9
	5101C7	BEARING, HEAD PIPE :BOTH .....	0.9

Ref. No.	Part No.	Description	Reqd. QTY					Serial No.	Parts catalogue code
			4	5	6	7	8		
1	45468-KS7-830	GUIDE, FR. BRAKE HOSE .....	-	-	-	-	1		
2	52487-MEN-A11	RING, STOPPER .....	-	-	-	-	2		
3	53214-KZ3-861	DUST SEAL, STEERING HEAD (ARAI)	-	-	-	-	1		
4	53214-KZ4-701	DUST SEAL, STEERING HEAD (ARAI)	-	-	-	-	1		
5	53219-KRN-A10	STEM SUB ASSY., STEERING ....	-	-	-	-	1		
6	53229-KZ4-J30	THREAD, STEERING HEAD TOP ...	-	-	-	-	1	ED,U	
7	53700-KRN-A11	DAMPER ASSY., STEERING .....	-	-	-	-	1	DE	
	53700-KRN-D11	.....	-	-	-	-	1	DE	
8	53701-MEN-A11	CASE, DAMPER .....	-	-	-	-	1		
9	53711-MEN-A11	BOLT COMP., PLUG .....	-	-	-	-	1	ED,U	
	53711-MEN-D11	.....	-	-	-	-	1	DE	
10	53712-MEN-A11	PIECE, ADJUST .....	-	-	-	-	1		
11	53721-MEN-A11	ROD COMP., PISTON .....	-	-	-	-	1	ED,U	
	53721-MEN-D11	.....	-	-	-	-	1	DE	
12	53731-MEN-A11	BEARING COMP. ....	-	-	-	-	2		
13	53754-MEN-A11	PISTON, FREE .....	-	-	-	-	1		
14	53755-MEN-A11	SPRING, RETURN .....	-	-	-	-	1		
15	53756-MEN-A11	WASHER .....	-	-	-	-	1		
16	53757-MEN-A11	CAP, END .....	-	-	-	-	1		
17	53782-MEN-A10	COLLAR, STEERING DAMPER ....	-	-	-	-	1		
18	90106-MJO-000	BOLT, FLANGE, 6X16 .....	-	-	-	-	1		
19	90107-KZ4-J40	BOLT, FLANGE, 8X45 .....	-	-	-	-	4		
20	90124-MEN-A10	BOLT, 7X51.5 .....	-	-	-	-	1		

3



Ref. No.	Part No.	Description	Reqd. QTY					Serial No.	Parts catalogue code
			4	5	6	7	8		
21	90125-MEN-A10	BOLT, 7X25 .....	-	-	-	-	1		
22	90651-MEN-A11	CIRCLIP(23.5) .....	-	-	-	-	1		
23	90652-MEN-A11	CIRCLIP(17.3) .....	-	-	-	-	1		
24	91015-KZ4-701	BEARING, HEAD PIPE (NTN) .....	-	-	-	-	2		
25	91258-KZ3-B01	O-RING, 18.8X1.9 .....	-	-	-	-	1		
26	91351-MEN-A11	O-RING, 9.5X1.5 .....	-	-	-	-	1		
27	91352-MEN-A11	O-RING, 11X1.9 .....	-	-	-	-	1		
28	91353-MEN-A11	O-RING, 13.5X1.5 .....	-	-	-	-	1		

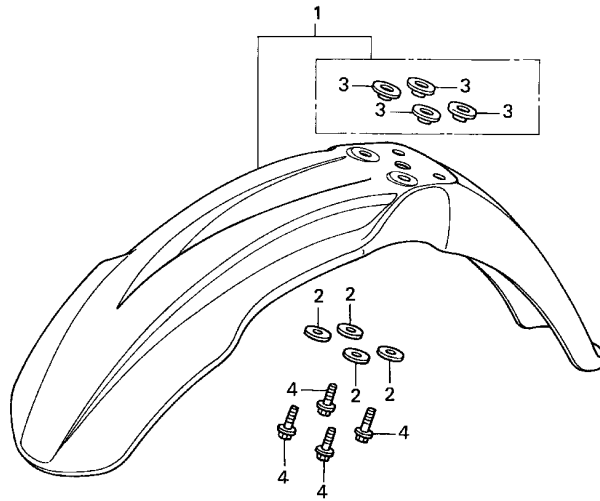


F-5

FRONT FENDER

G 9

FR.

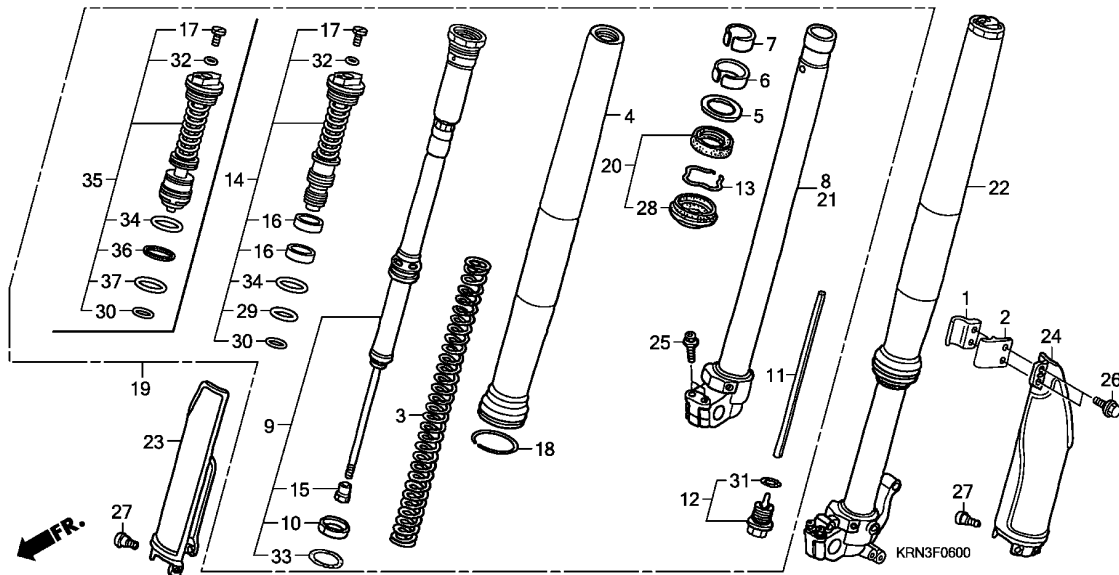


KRN4-F0500

Ref. No.	L.O.N. (Relative ref. Number)	Description	F.R.T.
1	4131B7	FENDER, FRONT .....	0.1

3

Ref. No.	Part No.	Description	Reqd. QTY					Serial No.	Parts catalogue code
			4	5	6	7	8		
1	61110-MEN-670	FENDER SUB ASSY., FR. ....	1	1	1	1	1		
2	90506-430-000	WASHER, FENDER MOUNTING ....	4	4	4	4	4		
3	90512-KZ4-J20	COLLAR, FR. FENDER .....	4	4	4	4	4		
4	96001-06016-00	BOLT, FLANGE, 6X16 .....	4	4	4	4	4		



Ref. No.	L.O.N.	(Relative ref. Number) Description	F.R.T.
3	5111C5	SPRING, FRONT FORK :LEFT .....	0.8
	5111C6	SPRING, FRONT FORK :RIGHT .....	0.8
	5111C7	SPRING, FRONT FORK :BOTH .....	1.3
4	5111C8	TUBE, OUTER :LEFT .....	1.0
	5111C9	TUBE, OUTER :RIGHT .....	1.0
	5111D0	TUBE, OUTER :BOTH .....	1.7
8	5111D5	PIPE, SLIDE :RIGHT .....	1.0
	5111D6	PIPE, SLIDE :BOTH .....	1.7
9	5111D8	DAMPER, FRONT FORK :LEFT .....	1.0
	5111D9	DAMPER, FRONT FORK :RIGHT .....	1.0
	5111E0	DAMPER, FRONT FORK :BOTH .....	1.7
14	(35)		
	5111E4	BOLT, FRONT FORK :LEFT .....	1.0
	5111E5	BOLT, FRONT FORK :RIGHT .....	1.0
	5111E6	BOLT, FRONT FORK :BOTH .....	1.7
19	5111C3	FORK ASSY., FRONT :RIGHT .....	0.4
	5111C4	FORK ASSY., FRONT :BOTH .....	0.5
20	(5,6,7,13)		
	5111E7	SEAL SET, FRONT FORK :LEFT ...	0.9
	5111E8	SEAL SET, FRONT FORK :RIGHT ..	0.9
	5111E9	SEAL SET, FRONT FORK :BOTH ...	1.5
21	5111D4	PIPE, SLIDE :LEFT .....	1.0
	5111D6	PIPE, SLIDE :BOTH .....	1.7
22	5111C2	FORK ASSY., FRONT :LEFT .....	0.4
	5111C4	FORK ASSY., FRONT :BOTH .....	0.5

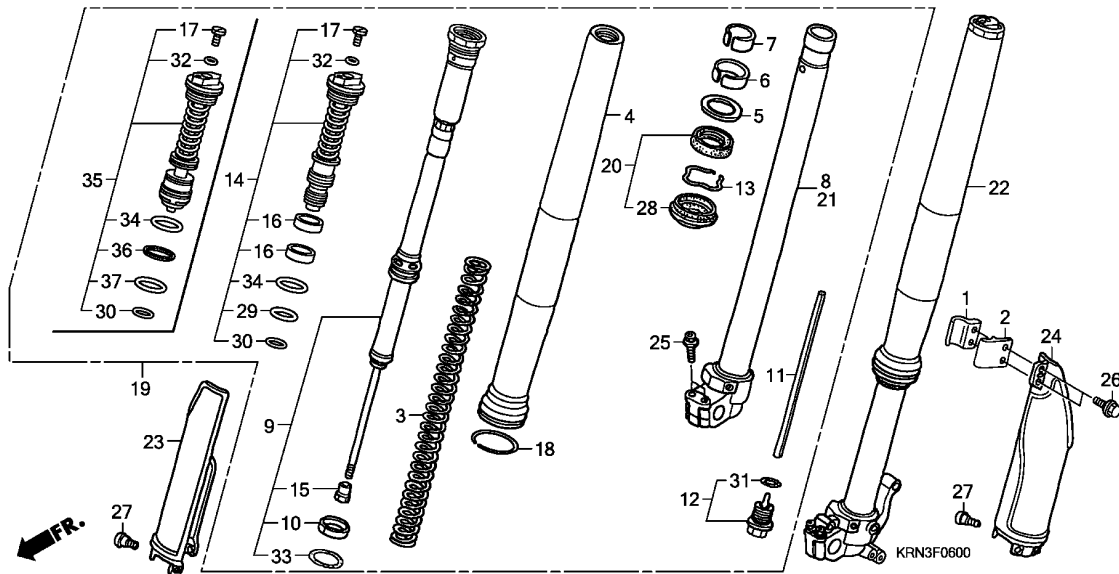
Ref. No.	Part No.	Description	Reqd. QTY					Serial No.	Parts catalogue code
			4	5	6	7	8		
1	45461-MEN-000	CLAMPER A, FR. BRAKE HOSE ...	1	1	1	1	1		
2	45462-MEN-000	CLAMPER B, FR. BRAKE HOSE ...	1	1	1	1	1		
3	51401-KRN-003	SPRING, FR. FORK (SHOWA) (4.41N/MM,D.45KGF/MM)	2	-	-	-	-		
	51402-MEB-751	.....	-	2	2	2	-		
	51401-KRN-A11	SPRING, FR. FORK (SHOWA) (4.51N/MM,D.46KGF/MM)	-	-	-	-	2		
	51401-KZ3-J21	SPRING, FR. FORK (SHOWA) (4.22N/MM,D.43KGF/MM)	(2)	(2)	(2)	(2)	-		
	51401-MEB-003	SPRING, FR. FORK (SHOWA) (4.61N/MM,D.47KGF/MM)	(2)	(2)	(2)	(2)	-		
	51402-KRN-A11	SPRING, FR. FORK (SHOWA) (4.71N/MM,D.48KGF/MM)	-	-	-	-	(2)		
	51403-KRN-A11	SPRING, FR. FORK (SHOWA) (4.31N/MM,D.44KGF/MM)	-	-	-	-	(2)		
4	51410-MEN-003	TUBE, OUTER .....	2	2	-	-	-		
	51410-MEN-841	.....	-	-	2	2	-		
	51410-MEN-A11	.....	-	-	-	-	2		
5	51412-KZ3-B01	RING, BACK UP .....	2	-	-	-	-		
	51412-KRN-711	.....	-	2	2	2	2		
6	51414-KZ3-B01	BUSH, GUIDE .....	2	2	2	2	2		
7	51415-KZ3-B01	BUSH, SLIDER .....	2	2	2	2	2		
8	51420-KSK-003	PIPE COMP., R. SLIDE .....	1	-	-	-	-		
	51420-KRN-711	.....	-	1	-	-	-		
	51420-KSC-A01	.....	-	-	1	1	-		
	51420-KRN-A11	.....	-	-	-	-	1		
9	51430-MEN-003	DAMPER COMP., FR. (SHOWA) ...	2	-	-	-	-		
	51430-KRN-711	DAMPER COMP., FR. ....	-	2	-	-	-		



F-6

FRONT FORK

G11



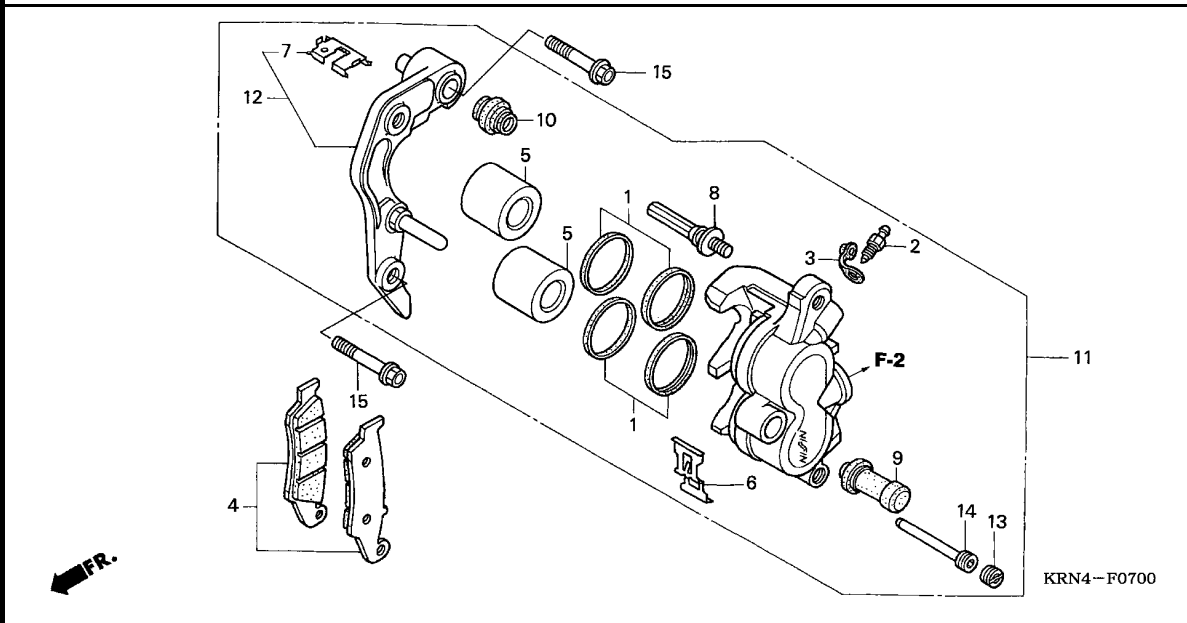
Ref. No.	L.O.N.	(Relative ref. Number) Description	F.R.T.
23	5111F5	PROTECTOR, FRONT FORK :RIGHT	0.2
	5111H6	PROTECTOR, FRONT FORK :BOTH	0.3
24	5111F4	PROTECTOR, FRONT FORK :LEFT	0.3
	5111H6	PROTECTOR, FRONT FORK :BOTH	0.3

3

Ref. No.	Part No.	Description	Reqd. QTY					Serial No.	Parts catalogue code
			4	5	6	7	8		
(9)	51430-KRN-841	DAMPER COMP., FR.	-	-	2	2	-		
	51430-MEN-A11	.....	-	-	-	-	2	-----	ED,U
	51430-MEN-D11	.....	-	-	-	-	2	-----	DE
10	51431-KZ3-B01	BUSH B, SLIDER	2	2	2	2	-		
	51431-MEN-D11	.....	-	-	-	-	2	-----	ED,U
		.....	-	-	-	-	2	-----	DE
11	51437-KZ3-J41	COLLAR, REBOUND NEEDLE	2	2	2	2	-		
	51437-MEN-A11	.....	-	-	-	-	2		
12	51440-MEN-003	BOLT COMP., CENTER	2	-	-	-	-		
	51440-KRN-711	.....	-	2	2	2	2		
13	51447-KZ3-003	RING, OIL SEAL STOPPER	2	2	2	2	2		
14	51450-KRN-003	BOLT ASSY., FR. FORK	2	-	-	-	-		
	51450-KRN-711	.....	-	2	-	-	-		
	51450-KRN-841	.....	-	-	2	-	-		
	51450-KRN-J01	.....	-	-	-	2	-		
15	51451-KZ3-B01	NUT, LOCK	2	2	2	2	-		
	51451-MEN-A11	.....	-	-	-	-	2		
16	51453-KZ3-B01	BUSH C, SLIDER	4	4	4	4	-		
17	51456-KZ3-J41	BOLT, PLUG	2	2	2	2	2		
18	51476-KZ3-711	RING, WEAR	2	2	-	-	-		
	51476-MEY-003	.....	-	-	2	2	2		
19	51480-KRN-003	FORK SUB ASSY., R. FR. (SHOWA)	1	-	-	-	-		
	51480-KRN-711	.....	-	1	-	-	-		
	51480-KRN-841	.....	-	-	1	-	-		
	51480-KRN-J01	.....	-	-	-	1	-		
	51480-KRN-A11	.....	-	-	-	-	1	-----	ED,U
	51480-KRN-D11	.....	-	-	-	-	1	-----	DE

Ref. No.	Part No.	Description	Reqd. QTY					Serial No.	Parts catalogue code
			4	5	6	7	8		
20	51490-MEN-003	SEAL SET, FR. FORK .....	2	2	2	2	2		
21	51520-KSK-003	PIPE COMP., L. SLIDE .....	1	-	-	-	-		
	51520-KRN-711	.....	-	1	-	-	-		
	51520-KSC-A01	.....	-	-	1	1	-		
	51520-KRN-A11	.....	-	-	-	-	1		
22	51580-KRN-003	FORK SUB ASSY., L. FR. (SHOWA)	1	-	-	-	-		
	51580-KRN-711	.....	-	1	-	-	-		
	51580-KRN-841	.....	-	-	1	-	-		
	51580-KRN-J01	.....	-	-	-	1	-		
	51580-KRN-A11	.....	-	-	-	-	1	----- ED,U	
	51580-KRN-D11	.....	-	-	-	-	1	----- DE	
23	51610-MEN-000ZA	PROTECTOR, R. FR. FORK							
	*TNATURAL*	.....NATURAL	1	1	1	1	1		
24	51620-MEN-000ZA	PROTECTOR, L. FR. FORK							
	*TNATURAL*	.....NATURAL	1	1	1	1	1		
25	90108-KZ4-J40	BOLT, FLANGE, 8X40 .....	4	4	4	4	4		
26	90113-KZ3-000	BOLT, FLANGE, 6MM .....	2	2	2	2	2		
27	90113-MAC-780	BOLT, PROTECTOR .....	6	6	6	6	6		
28	91254-KZ3-J31	DUST SEAL .....	2	2	2	2	2		
29	91256-KZ3-A71	O-RING, 26.7X3.5 .....	2	2	2	2	-		
30	91257-MEB-751	O-RING, 27.7X1.9 .....	2	2	2	2	2		
31	91258-KZ3-B01	O-RING, 18.8X1.9 .....	2	2	2	2	2		
32	91301-KZ3-711	O-RING, 3.5X1.5 .....	2	2	2	2	2		
33	91356-KZ3-003	O-RING, 44.7X2.4 .....	2	2	2	2	2		
34	91356-MW0-003	O-RING, 37.2X2.4 (SHOWA) .....	2	2	2	2	2		
35	51450-KRN-A11	BOLT ASSY., FR. FORK .....	-	-	-	-	2	----- ED,U	
	51450-KRN-D11	.....	-	-	-	-	2	----- DE	
36	51453-MEN-A11	RING, PISTON .....	-	-	-	-	2		
37	91256-MEN-A11	O-RING, 27.6X1.8 .....	-	-	-	-	2		





Ref. No.	L.O.N.	(Relative ref. Number) Description	F.R.T.
4	711115	SHOE(PAD) SET, BRAKE :FRONT .. (1)	0.1
5	7111D1	PISTON, FRONT BRAKE CALIPER .. .INCLUDES: Bleed brakes	0.5
11	711130	CALIPER, FRONT BRAKE ..... .NOTE: Same time for two units	0.4
12	7111G0	BRACKET, FRONT CALIPER .....	0.2

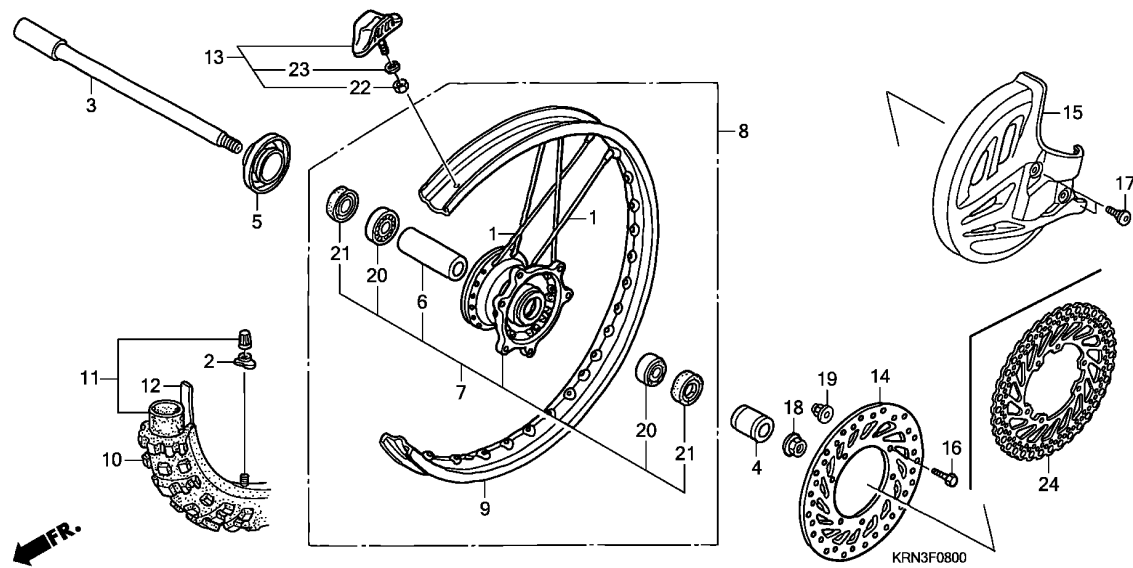


Ref. No.	Part No.	Description	Reqd. QTY					Serial No.	Parts catalogue code
			4	5	6	7	8		
1	06431-MA3-405	SEAL SET, PISTON .....	2	2	2	2	2		
2	43352-568-003	SCREW, BLEEDER (NISSIN) .....	1	1	1	1	1		
3	43353-461-771	CAP, BLEEDER .....	1	1	1	1	1		
4	45105-MY6-405	PAD SET, FR. ....	1	1	1	-	-		
	45105-MY6-415	.....	-	-	-	1	-	----- ED,ED/A,U,U/A	----- ED/B,U/B
5	45107-KZ4-J31	PISTON .....	2	2	2	2	2		
6	45108-MY1-006	SPRING, PAD .....	1	1	1	1	1		
7	45112-KS6-701	RETAINER .....	1	1	1	1	1		
8	45131-HA5-672	BOLT A, PIN .....	1	1	1	1	1		
9	45132-166-016	BOOT, PIN BUSH (NISSIN) .....	1	1	1	1	1		
10	45133-MA3-006	BOOT B .....	1	1	1	1	1		
11	45150-MEN-006	CALIPER SUB ASSY., L. FR. BRAKE (NISSIN)	1	1	1	1	1		
12	45190-MEN-006	BRACKET SUB ASSY., L. FR. CALIPER	1	1	1	1	1		
13	45203-MG3-016	PLUG, PIN .....	1	1	1	1	1		
14	45215-HA5-672	PIN, HANGER .....	1	1	1	1	1		
15	90110-KZ4-J40	BOLT, FLANGE, 8X40 .....	2	2	2	2	2		

F-8

FRONT WHEEL

G14



Ref. No.	L.O.N.	(Relative ref. Number) Description	F.R.T.
3	710151	AXLE, FRONT WHEEL .....	0.2
7	710103	HUB, FRONT WHEEL .....	2.4
8	710104	FRONT WHEEL .....	0.9
9	710109	RIM, WHEEL :FRONT .....	2.3
10		(12)	
	710139	FRONT TIRE(ONE) .....	0.8
11		(12)	
	710140	TUBE, FRONT TIRE(ONE) .....	0.8
14		(24)	
	711120	DISC, FRONT BRAKE .....	0.3
15	413195	COVER, FRONT DISC .....	0.1
20		(6)	
	710115	BEARING, FRONT WHEEL(ONE) ....	0.4
	710115G	.Replace 1 bearing add .....	0.1

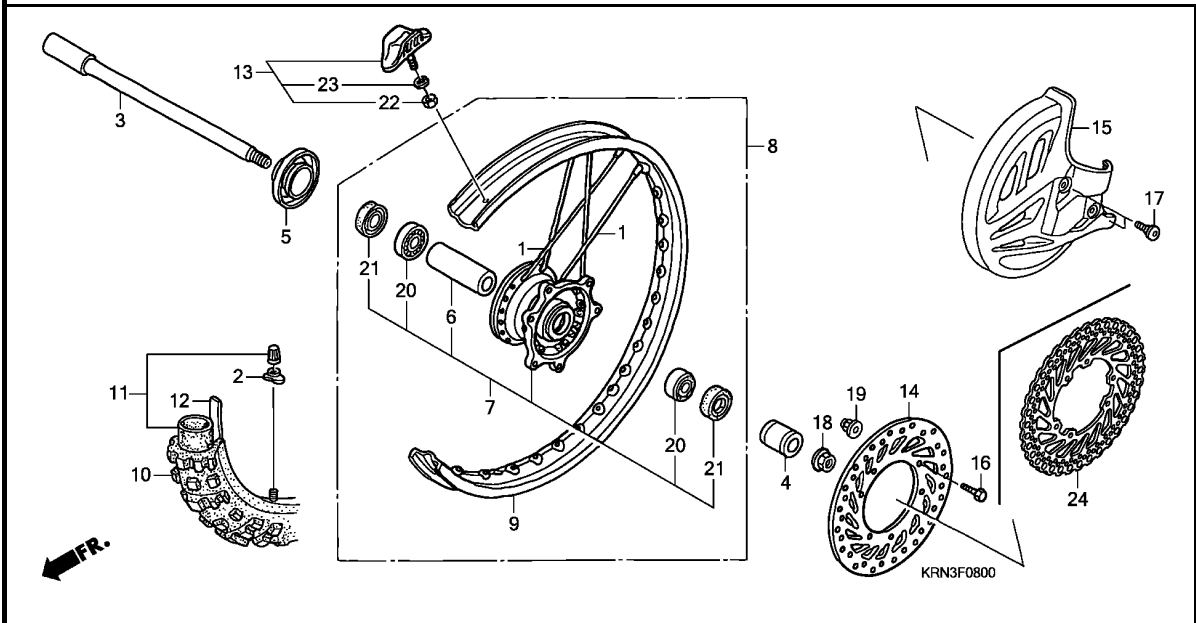
Ref. No.	Part No.	Description	Reqd. QTY					Serial No.	Parts catalogue code
			4	5	6	7	8		
1	06440-KZ4-J40	SPOKE SET, FR. (240MM) .....	36	36	-	-	-		
	06440-MEN-840	.....	-	-	36	36	36		
	06440-KZ4-820	SPOKE SET, FR. (226.5MM) ....							
		(FOR 20 INCHES)	(36)	(36)	-	-	-		
2	42714-KA3-710	CAP, VALVE .....	1	1	1	1	1		
3	44301-MEN-000	AXLE, FR. WHEEL .....	1	1	1	1	1		
4	44311-KZ4-J40	COLLAR, L. FR. WHEEL .....	1	1	1	1	1		
5	44312-MEN-000	COLLAR COMP., R. FR. WHEEL ..	1	1	1	1	1		
6	44620-MAC-680	COLLAR, FR. DISTANCE .....	1	1	1	1	1		
7	44635-MAC-680	HUB SUB ASSY., FR. WHEEL ....	1	1	-	-	-		
	44635-MEN-840	HUB SUB ASSY., FR. ....	-	-	1	1	1		
8	44650-MEN-000	WHEEL SUB ASSY., FR. ....	1	1	-	-	-		
	44650-MEN-840	.....	-	-	1	1	-		
	44650-MEN-A10	.....	-	-	-	-	1		
	44650-KZ3-810	.....	-	-	-	-	-		
		(FOR 20 INCHES)	(1)	(1)	-	-	-		
9	44701-MEN-003	RIM, FR. WHEEL (21X1.60) ....	1	1	1	1	-		
	44701-MEN-A11	.....	-	-	-	-	1		
	44701-KZ3-811	RIM, FR. WHEEL (20X1.85) ....	(1)	(1)	-	-	-		
10	44711-MEB-771	TIRE, FR. (PIRELLI)							
		(80/100-21 M/C 51R MST MT32A)	1	1	1	1	1	----- DE,ED,ED/A,ED/B	
	44711-MEN-004	TIRE, FR. (DUNLOP)							
		(80/100-21 M/C 51M)	1	1	1	-	-	----- U,U/A,U/B	
	44711-MEN-J01	.....	-	-	-	1	1	----- U,U/A,U/B	
	44711-KZ4-811	TIRE, FR. (DUNLOP)							
		(90/100-20 56M D739FA)	(1)	(1)	-	-	-		

3

F-8

FRONT WHEEL

G15



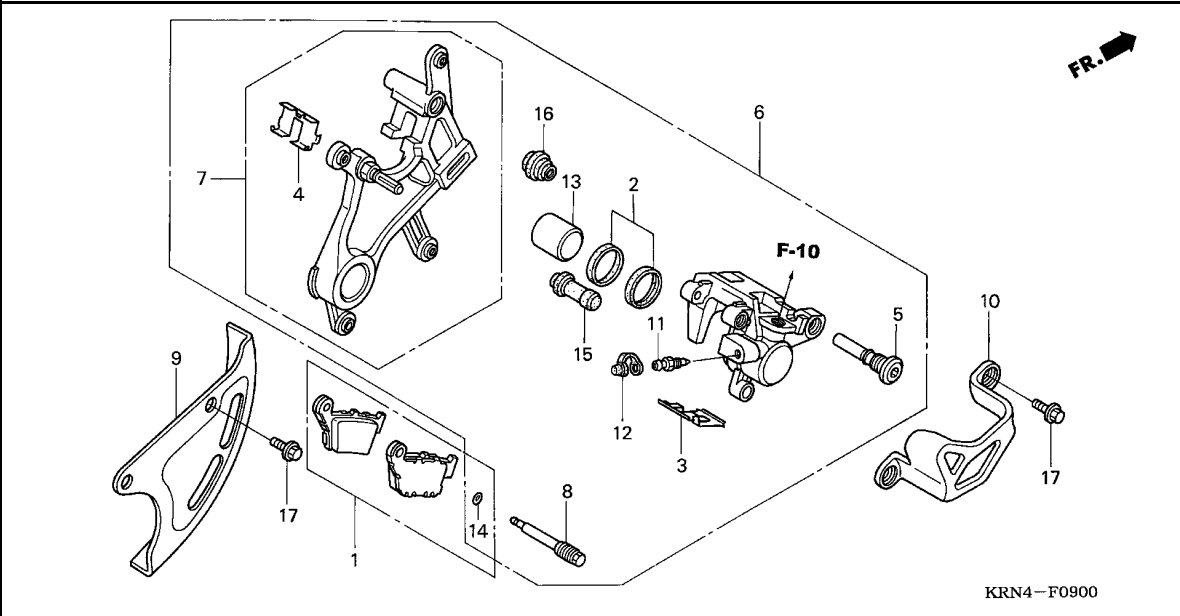
Ref. No.	Part No.	Description	Reqd. QTY					Serial No.	Parts catalogue code
			4	5	6	7	8		
11	44712-MEB-771	TUBE, TIRE (PIRELLI)							
		(80/100-21)	1	1	1	1	1	-----	DE,ED,ED/A,ED/B
	44712-400-004	TUBE, TIRE (DUNLOP) (80/100-21)	1	1	1	1	1	-----	U,U/A,U/B
	44712-KZ4-811	TUBE, TIRE (DUNLOP) (90/100-20)	(1)	(1)	-	-	-		
12	44713-KS6-641	FLAP, TIRE (DUNLOP) (80/100-21)	1	1	1	1	1	-----	U,U/A,U/B
	44713-MEB-771	FLAP, TIRE (PIRELLI)	1	1	1	1	1	-----	DE,ED,ED/A,ED/B
	44713-KZ4-811	FLAP, TIRE (DUNLOP)							
		(FOR 20 INCHES)	(1)	(1)	-	-	-		
13	44715-MA0-770	STOPPER, BEAD (1.60)	1	1	1	1	1		
	42715-KA2-680	STOPPER, BEAD (1.85)							
		(FOR 20 INCHES)	(1)	(1)	-	-	-		
14	45351-KZ4-J30	DISK, FR. BRAKE	1	1	1	1	-		
15	51614-KZ4-J40ZA	COVER, FR. DISK							
		*TNATURAL*.....NATURAL	1	-	-	-	-	-----	ED,U
			1	-	-	-	-	4K012448	ED/A
			1	-	-	-	-	4K050680	U/A
	51614-KZ4-J41ZA	*TNATURAL*.....NATURAL	1	-	-	-	-	4K012449	ED/A
			1	-	-	-	-	4K050681	U/A
			-	1	1	1	1		
16	90105-MAC-680	BOLT, DISK, 6X19	6	6	6	6	6		
17	90114-MAC-780	BOLT, FR. DISK COVER	2	2	2	2	2		
18	90301-KZ4-J40	NUT, FR. AXLE	1	1	1	1	1		
19	90301-473-003	NUT, U, 6MM	6	6	6	6	6		
20	91062-MAC-681	BEARING, RADIAL BALL, 6904	2	2	2	2	2		
21	91201-KS6-004	OIL SEAL, 26X37X7(ARAI)	2	2	2	2	2		
22	94001-08000-OS	NUT, HEX., 8MM	1	1	1	1	1		
23	94111-08000	WASHER, SPRING, 8MM	1	1	1	1	1		
24	45351-MEN-A10	DISK, FR. BRAKE	-	-	-	-	1		

3

**F-9**

**REAR BRAKE CALIPER**

**G16**



Ref. No.	L.O.N.	(Relative ref. Number) Description	F.R.T.
1	711140	SHOE(PAD) SET, BRAKE :REAR ...	0.1
6	711155	CALIPER, REAR BRAKE ..... .INCLUDES: Bleed brakes	0.6
7	7111C1	BRACKET, REAR CALIPER .....	0.5
9	4131A7	COVER, REAR DISC .....	0.4
10	7111C9	GUARD, REAR CALIPER .....	0.1
13	7111D5	PISTON, REAR BRAKE CALIPER ... .INCLUDES: Bleed brakes	0.7

Ref. No.	Part No.	Description	Reqd. QTY					Serial No.	Parts catalogue code
			4	5	6	7	8		
1	06435-KZ4-J41	PAD SET, RR. ....	1	-	-	-	-		
	06435-KRN-711	.....	-	1	1	-	-		
	06435-KRN-712	.....	-	-	-	1	-	----- ED,ED/A,U,U/A ----- ED/B,U/B	
2	06451-MZ2-405	SEAL SET, PISTON .....	1	1	1	1	1		
3	43108-KZ4-J41	SPRING, PAD .....	1	1	1	1	1		
4	43112-KZ4-J41	RETAINER, BRACKET .....	1	1	1	1	1		
5	43131-KW3-006	BOLT, PIN .....	1	1	1	1	1		
6	43150-KZ4-J41	CALIPER SUB ASSY., RR. BRAKE (NISSIN)	1	-	-	-	-		
	43150-KRN-711	.....	-	1	1	1	1		
7	43190-KZ4-J41	BRACKET SUB ASSY., RR. ....	1	-	-	-	-		
	43190-KRN-711	.....	-	1	1	1	1		
8	43215-KZ4-J41	PIN, HANGER .....	1	1	1	1	1		
9	43330-KZ4-J40ZA	COVER, RR. DISK *TNATURAL*.....NATURAL	1	1	1	1	1		
10	43340-KZ4-J40ZA	GUARD, RR. CALIPER *TNATURAL*.....NATURAL	1	1	-	-	-		
	43340-MEY-000ZA	*TNATURAL*.....NATURAL	-	-	1	1	1		
11	43352-568-003	SCREW, BLEEDER (NISSIN) .....	1	1	1	1	1		
12	43353-461-771	CAP, BLEEDER .....	1	1	1	1	1		
13	45107-MCT-006	PISTON (22 A) .....	1	1	1	1	1		
14	45111-MAJ-G41	RING, STOPPER .....	1	1	1	1	1		
15	45132-166-016	BOOT, PIN BUSH (NISSIN) .....	1	1	1	1	1		
16	45133-MA3-006	BOOT B .....	1	1	1	1	1		
17	90004-GHB-600	BOLT, FLANGE, 6X10(NSHF) .....	4	4	4	4	4		

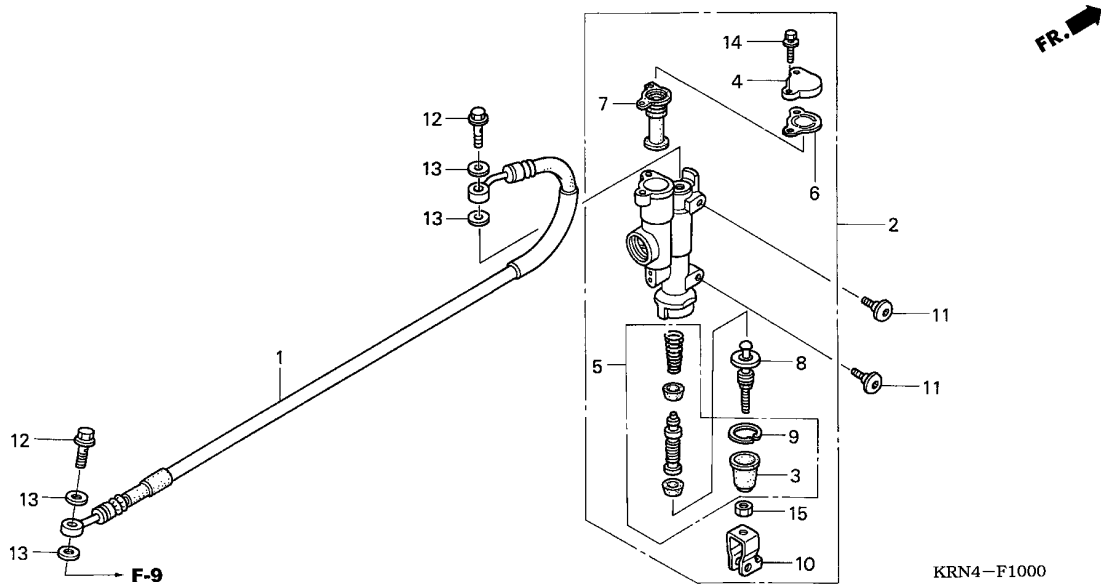
**3**



**F-10**

**RR. BRAKE MASTER CYLINDER**

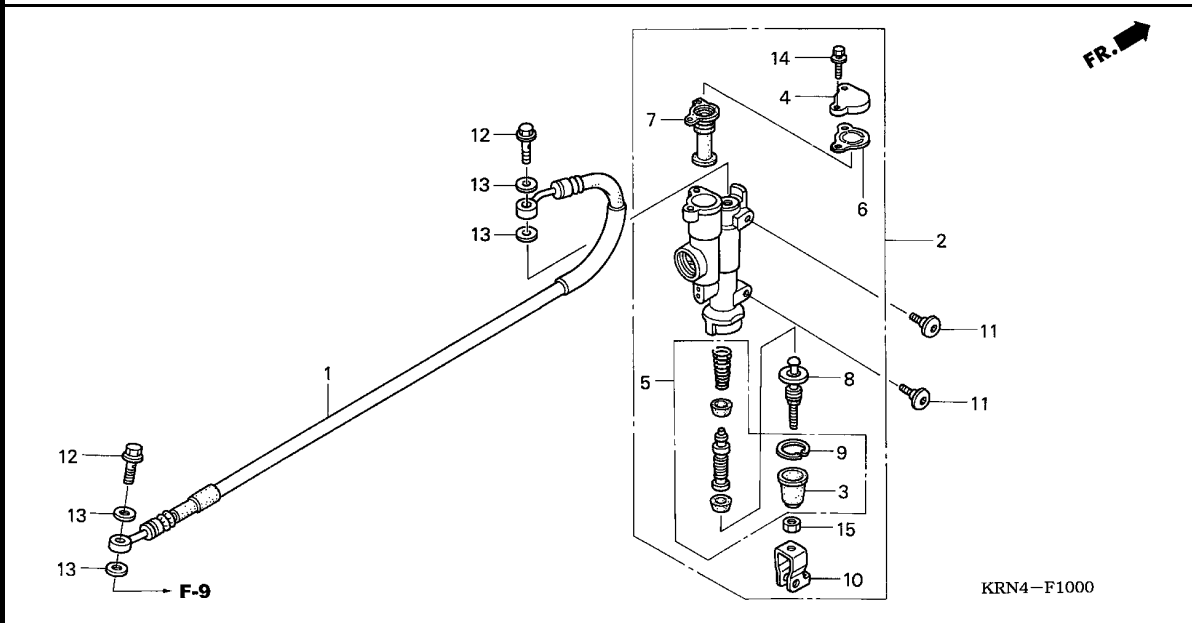
**H 1**



Ref. No.	L.O.N.	(Relative ref. Number) Description	F.R.T.
1	712130	HOSE, REAR BRAKE ..... .INCLUDES: Bleed brakes	0.6
2	712125	CYLINDER, REAR BRAKE MASTER .. .INCLUDES: Bleed brakes	0.4
5	7121H0	PISTON SET, REAR BRAKE MASTER .INCLUDES: Bleed brakes	0.5
7	7121G7	DIAPHRAGM, REAR BRAKE MASTER CYLINDER .....	0.1

**3**

Ref. No.	Part No.	Description	Reqd. QTY					Serial No.	Parts catalogue code
			4	5	6	7	8		
1	43310-KZ4-J41	HOSE, RR. BRAKE .....	1	1	1	1	-		
	43310-KRN-A11	HOSE COMP., RR. BRAKE .....	-	-	-	-	1		
2	43500-KZ4-J42	CYLINDER ASSY., RR. BRAKE MASTER (NISSIN)	1	1	1	-	-		
			-	-	-	1	-	----- ED,U	
			-	-	-	1	-	----- 7K310380 U/A	
			-	-	-	1	-	----- 7K312599 ED/A	
	43500-KZ4-J43	.....	-	-	-	1	-	----- ED/B,U/B	
			-	-	-	1	-	----- 7K310381 U/A	
			-	-	-	1	-	----- 7K312600 ED/A	
			-	-	-	-	1		
3	43504-MB2-006	BOOT COMP. ....	1	1	1	1	1		
4	43513-KZ4-J41	CAP, MASTER CYLINDER .....	1	1	1	1	1		
5	43520-KZ4-J42	PISTON SET, MASTER CYLINDER -	1	1	1	-	-		
			-	-	-	1	-	----- 7K310380 U/A	
			-	-	-	1	-	----- 7K312599 ED/A	
	43520-KZ4-J43	.....	-	-	-	1	-	----- ED,ED/B,U,U/B	
			-	-	-	1	-	----- 7K310381 U/A	
			-	-	-	1	-	----- 7K312600 ED/A	
			-	-	-	-	1		
6	43521-KZ4-J41	PLATE, DIAPHRAGM .....	1	1	1	1	1		
7	43522-KZ4-J41	DIAPHRAGM .....	1	1	1	1	1		
8	43530-KZ4-J41	ROD COMP., PUSH .....	1	1	1	1	1		
9	46182-500-013	CIRCLIP .....	1	1	1	-	-		
			-	-	-	1	-	----- 7K310380 U/A	
			-	-	-	1	-	----- 7K312599 ED/A	

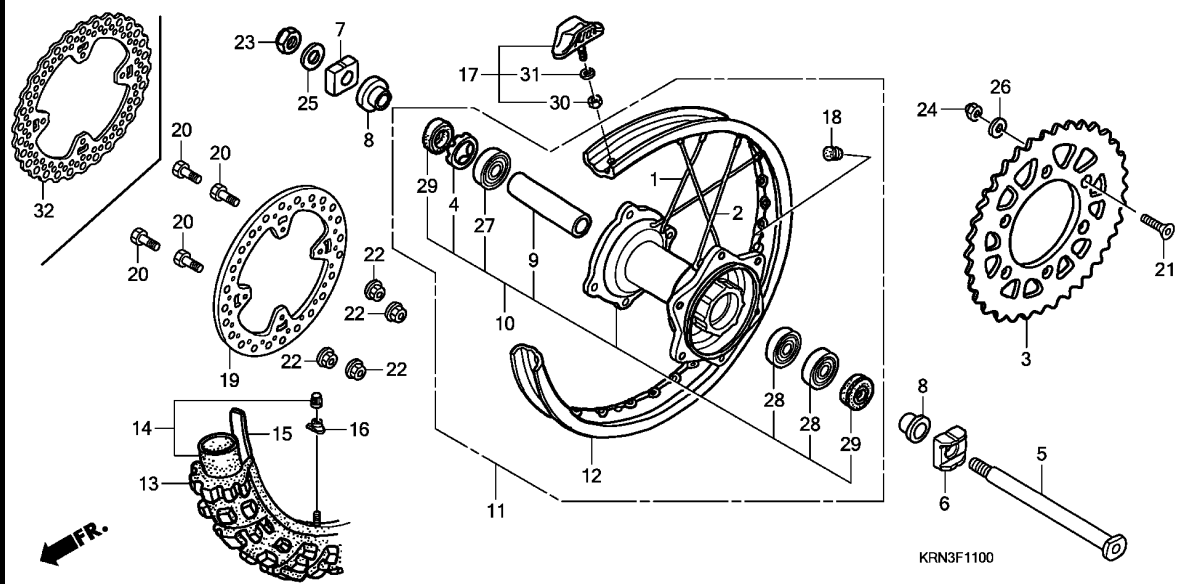


Ref. No.	Part No.	Description	Reqd. QTY					Serial No.	Parts catalogue code
			4	5	6	7	8		
(9)	46182-MEL-D21	CIRCLIP .....	-	-	-	1	-	----- ED,ED/B,U,U/B	
			-	-	-	1	7K310381	----- U/A	
			-	-	-	1	7K312600	----- ED/A	
10	46504-KZ4-J41	JOINT, BRAKE ROD .....	1	1	1	1	1		
11	90114-MAC-780	BOLT, FR. DISK COVER .....	2	2	2	2	2		
12	90145-MS9-612	BOLT, OIL, 10X22 .....	2	2	2	2	2		
13	90545-300-000	WASHER, OIL BOLT .....	4	4	4	4	4		
14	93401-04016-00	BOLT-WASHER, 4X16 .....	2	2	2	2	2		
15	94002-06000-0S	NUT, HEX., 6MM .....	1	1	1	1	1		

F-11

REAR WHEEL

H 3

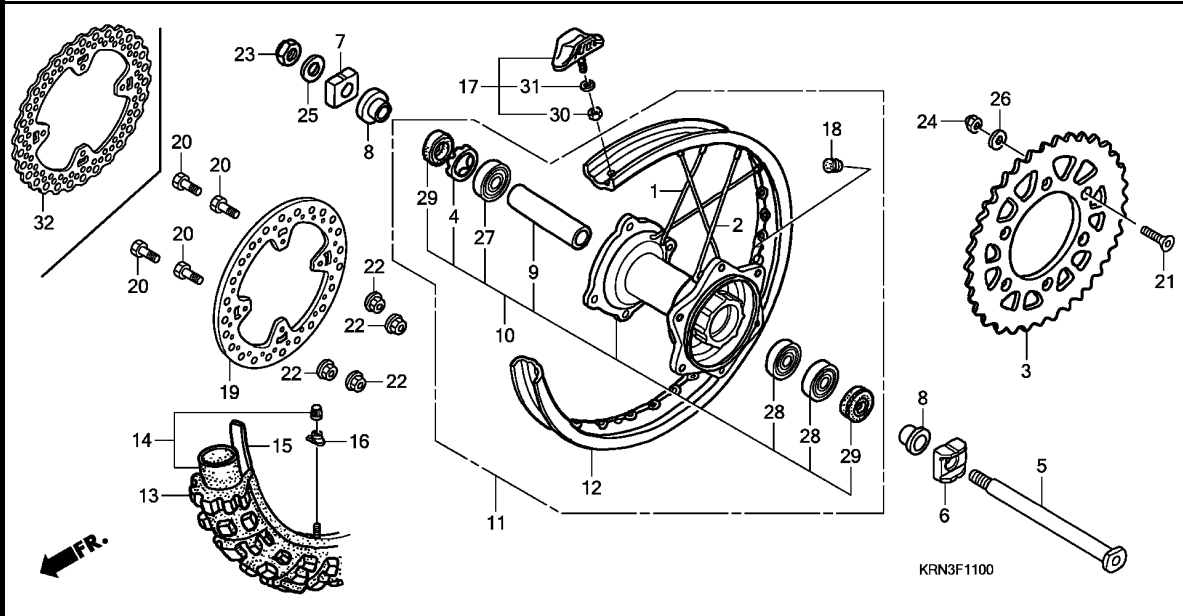


Ref. No.	L.O.N.	(Relative ref. Number) Description	F.R.T.
3	7101A0	SPROCKET, FINAL DRIVEN	0.4
5	7101B0	AXLE, REAR WHEEL	0.3
10	7101C1	HUB, REAR WHEEL	2.5
11	7101D8	REAR WHEEL	1.0
12	7101E7	RIM, WHEEL :REAR	2.4
13	7101F4	REAR TIRE(ONE)	0.9
14	7101G7	TUBE, REAR TIRE(ONE)	0.9
19	7111H5	DISC, REAR BRAKE	0.4
27	7101I3	BEARING, REAR WHEEL(ONE)	0.5
	7101J3G	.Replace 1 bearing add	0.1
	7101K3A	.Replace 2 bearings add	0.2

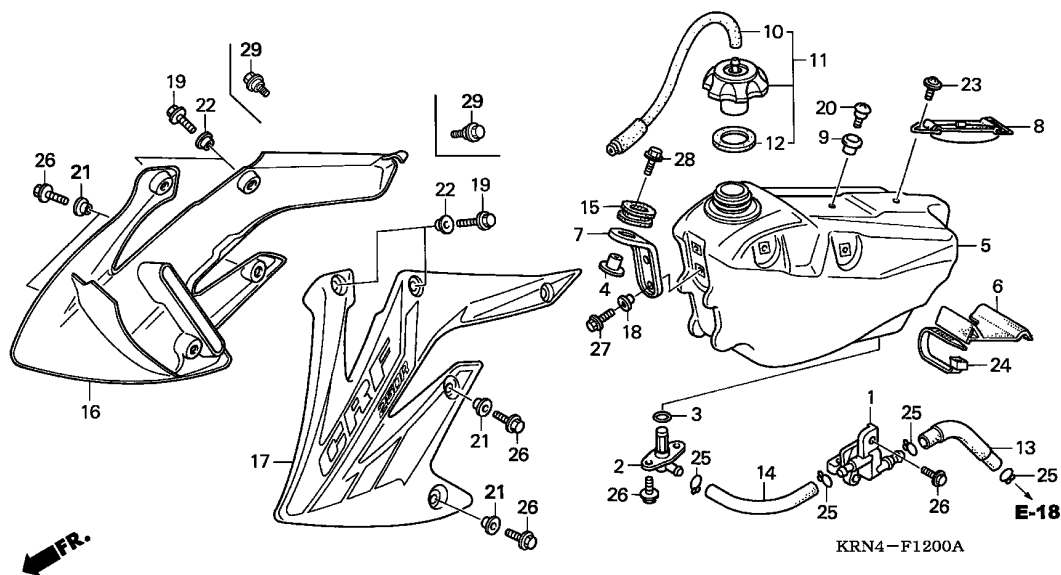
KRN3F1100

Ref. No.	Part No.	Description	Reqd. QTY					Serial No.	Parts catalogue code
			4	5	6	7	8		
1	06420-MEB-750	SPOKE SET, RR. (INSIDE)	16	-	-	-	-		
	06420-KRN-710	(INSIDE)	-	16	16	16	16		
2	06421-MEB-750	SPOKE SET, RR. (OUTSIDE)	16	-	-	-	-		
	06421-KRN-710	(OUTSIDE)	-	16	16	16	16		
3	41202-KZ4-J20	SPROCKET, FINAL DRIVEN (51T)	1	1	-	-	-		
	41201-MEY-000		-	-	1	1	1		
	41203-KZ3-J20	SPROCKET, FINAL DRIVEN (50T)	(1)	(1)	(1)	(1)	(1)		
	41203-KZ4-J30	SPROCKET, FINAL DRIVEN (52T)	(1)	(1)	(1)	(1)	(1)		
4	41231-KZ4-J20	RETAINER, RR. WHEEL BEARING	1	1	1	1	1		
5	42301-KZ4-J40	AXLE, RR. WHEEL	1	1	1	1	1		
6	42305-KZ4-J40	COLLAR, L. RR. AXLE	1	1	1	1	1		
7	42306-KZ4-J20	COLLAR, R. RR. AXLE	1	1	1	1	1		
8	42311-KZ4-J40	COLLAR, RR. WHEEL SIDE	2	2	2	2	2		
9	42620-KZ4-J20	COLLAR, RR. WHEEL DISTANCE	1	1	1	1	1		
10	42635-MEN-000	HUB SUB ASSY., RR.	1	-	-	-	-		
	42635-KRN-710		-	1	1	1	1		
11	42650-KRN-000	WHEEL SUB ASSY., RR.	1	-	-	-	-		
	42650-KRN-710		-	1	1	1	-		
	42650-KRN-A10		-	-	-	-	1		
12	42701-KRN-003	RIM, RR. WHEEL (19X1.85)	1	1	1	1	-		
	42701-KRN-A11		-	-	-	-	1		
13	42711-KSR-D02	TIRE, RR. (PIRELLI) (100/90-19 NHS MT32)	1	1	1	1	1	----- DE,ED,ED/A,ED/B	

3



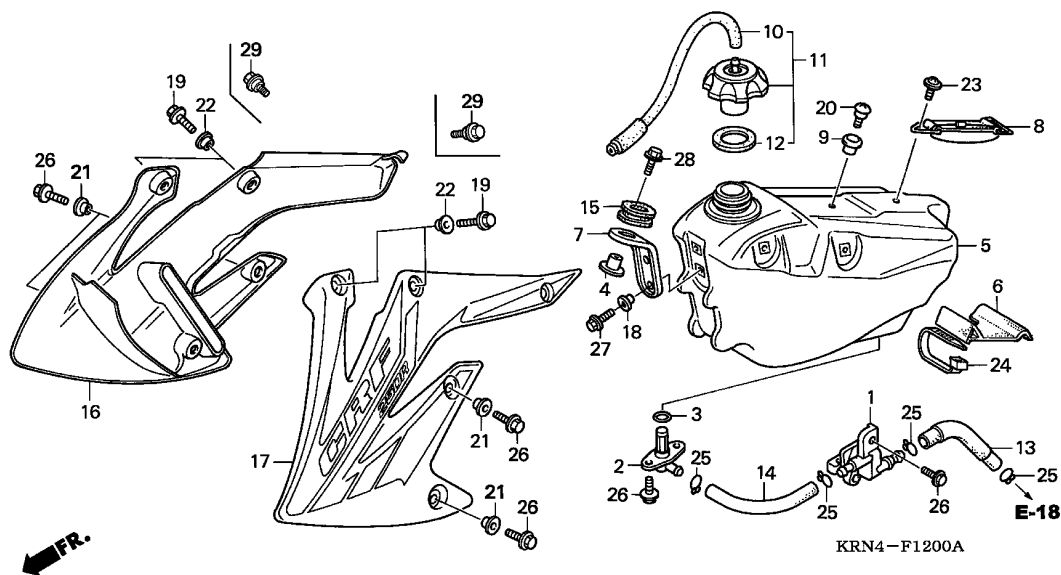
Ref. No.	Part No.	Description	Reqd. QTY								Serial No.	Parts catalogue code
			4	5	6	7	8	CRF250R				
13)	42711-KSR-J01	TIRE, RR. (DUNLOP) (100/90-19 57M D756)	1	1	1	1	1	-----	-----	U,U/A,U/B		
14	42712-MEB-771	TUBE, TIRE (PIRELLI) .....	1	1	1	1	1	-----	-----	DE,ED,ED/A,ED/B		
	44712-300-004	TUBE, TIRE (DUNLOP) (100/100-18)	1	1	1	1	1	-----	-----	U,U/A,U/B		
15	42713-MEB-771	FLAP, TIRE (PIRELLI) .....	1	1	1	1	1	-----	-----	DE,ED,ED/A,ED/B		
	44713-300-004	FLAP, TIRE (DUNLOP) (100/100-18)	1	1	1	1	1	-----	-----	U,U/A,U/B		
16	42714-KA3-710	CAP, VALVE .....	1	1	1	1	1					
17	42715-KA2-680	STOPPER, BEAD (1.85) .....	1	1	1	1	1					
18	42717-329-000	CAP, RIM HOLE .....	1	1	1	1	1					
19	43351-KZ4-J40	DISK, RR. BRAKE .....	1	1	1	1	-					
20	90105-MAC-680	BOLT, DISK, 6X19 .....	4	4	4	4	4					
21	90125-KA4-000	SCREW, FLAT, 8X31 .....	6	6	6	6	6					
22	90301-473-003	NUT, U, 6MM .....	4	4	4	4	4					
23	90305-KZ4-J20	NUT, U, 22MM .....	1	1	1	1	1					
24	90309-ML3-791	NUT, U, 8MM .....	6	6	6	6	6					
25	90401-KZ4-J20	WASHER, 22X35X2 .....	1	1	1	1	1					
26	90465-MC4-000	WASHER, 8MM .....	6	6	6	6	6					
27	91051-KZ4-J21	BEARING, RADIAL BALL, 69052RS	1	1	1	1	1					
28	91052-KZ4-J21	BEARING, RADIAL BALL, 6905RS	2	2	2	2	2					
29	91251-KZ4-J21	DUST SEAL, 32X43X7 .....	2	2	2	2	2					
30	94001-08000-0S	NUT, HEX., 8MM .....	1	1	1	1	1					
31	94111-08000	WASHER, SPRING, 8MM .....	1	1	1	1	1					
32	43351-MEN-A10	DISK, RR. BRAKE .....	-	-	-	-	1					



Ref. No.	L.O.N.	(Relative ref. Number) Description	F.R.T.
1	310110	COCK ASSY., FUEL .....	0.1
2		(3)	
	3101D5	JOINT, FUEL TANK .....	0.2
5	310100	TANK, FUEL .....	0.3
16	1151A0	SHROUD, RADIATOR :RIGHT .....	0.1
	1151A5	SHROUD, RADIATOR :BOTH .....	0.1
17	115126	SHROUD, RADIATOR :LEFT .....	0.1
	1151A5	SHROUD, RADIATOR :BOTH .....	0.1

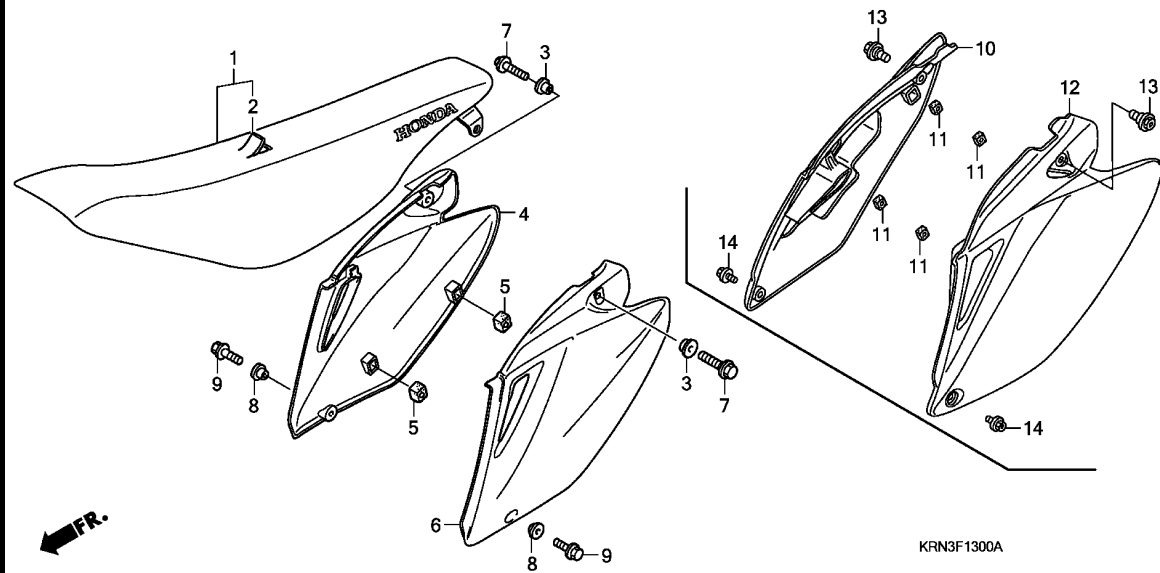
3

Ref. No.	Part No.	Description	Reqd. QTY					Serial No.	Parts catalogue code
			4	5	6	7	8		
1	16950-KRN-003	COCK ASSY., FUEL .....	1	1	1	1	1		
2	16955-MEB-671	JOINT ASSY., FUEL .....	1	1	1	1	1		
3	16997-467-000	O-RING, 11.8X3.55 .....	1	1	1	1	1		
4	17509-KZ3-B00	COLLAR, TANK SETTING .....	1	1	1	1	1		
5	17510-KRN-000	TANK COMP., FUEL .....	1	-	-	-	-		
	17510-KRN-730	.....	-	1	1	1	1		
6	17512-KRN-000	RUBBER, FUEL TANK MOUNTING ..	1	1	1	-	-		ED,U
			-	-	-	1	-	3K310135	ED/A
	17512-KRN-010	.....	-	-	-	1	-		ED/B,U/A,U/B
			-	-	-	1	-	3K310136	ED/A
			-	-	-	-	1		
7	17515-KRN-000	STAY, FR. TANK .....	1	1	1	1	1		
8	17516-KZ3-B00	BAND, TANK RR. ....	1	1	1	1	1		
9	17518-KZ4-710	COLLAR, SEAT FR. ....	1	1	1	1	1		
10	17521-KZ4-J20	TUBE COMP., FUEL CAP BREATHER	1	1	1	1	1		
11	17620-MEB-670	CAP ASSY., FUEL TANK .....	1	1	1	1	1		
12	17624-KT1-780	PACKING, FUEL CAP .....	1	1	1	1	1		
13	17681-KRN-000	TUBE B, FUEL .....	1	1	1	1	1		
14	17684-KRN-000	TUBE A, FUEL .....	1	1	1	1	1		
15	18334-ML3-680	RUBBER, SILENCER .....	1	1	1	1	1		
16	19071-KRN-000ZA	SHROUD SET, R. RADIATOR	1	-	-	-	-		
		*TYPE1*(WL)							
	19071-KRN-730ZA	.....	-	1	-	-	-		
	19071-KRN-850ZA	.....	-	-	1	-	-		
	19071-KRN-A00ZA	.....	-	-	-	1	-		



KRN4-F1200A

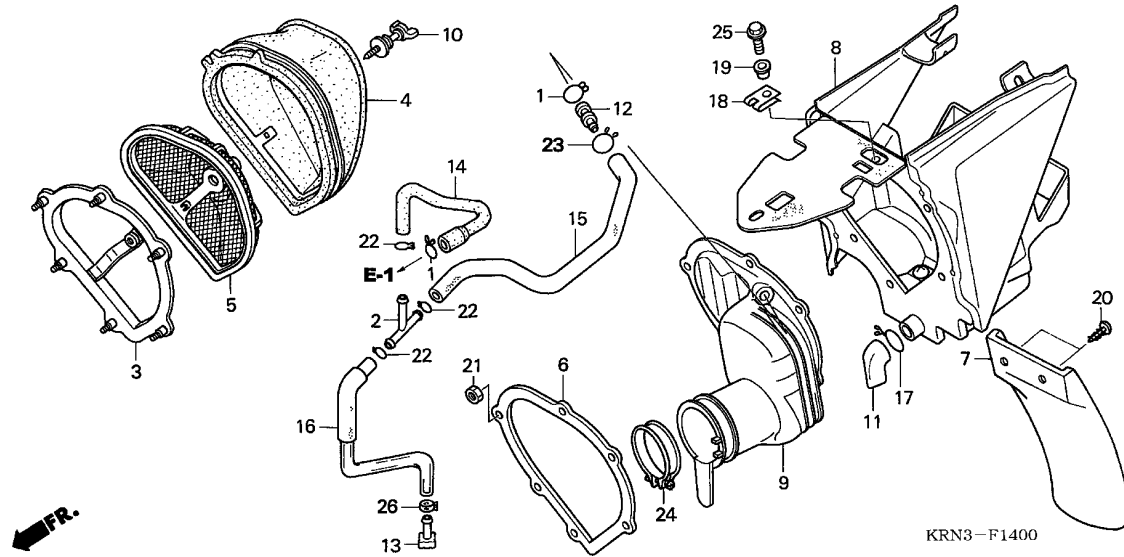
Ref. No.	Part No.	Description	Reqd. QTY					Serial No.	Parts catalogue code
			4	5	6	7	8		
16)	19071-KRN-A10ZA	SHROUD SET, R. RADIATOR *TYPE1*(WL)	-	-	-	-	1		
17	19072-KRN-000ZA	SHROUD SET, L. RADIATOR *TYPE1*(WL)	1	-	-	-	-		
	19072-KRN-730ZA	.....	-	1	-	-	-		
	19072-KRN-850ZA	.....	-	-	1	-	-		
	19072-KRN-A00ZA	.....	-	-	-	1	-		
	19072-KRN-A10ZA	.....	-	-	-	-	1		
18	84706-415-000	COLLAR .....	2	2	2	2	2		
19	90106-KRN-000	BOLT, FLANGE, 5X12 .....	4	-	-	-	-		
20	91422-MT8-770	SCREW, SPECIAL, 5MM .....	1	1	1	1	1		
21	90501-KZ4-J20	COLLAR A .....	4	4	4	4	4		
22	90502-KRN-000	COLLAR, SHROUD UPPER .....	4	-	-	-	-		
23	90108-MNO-000	SCREW, PAN, 5X13 .....	1	1	1	1	1		
24	91560-MS8-600	TY-RAP, CABLE .....	1	1	1	1	1		
25	95002-02120	CLIP, TUBE (B12) .....	4	4	4	4	4		
26	96001-06016-00	BOLT, FLANGE, 6X16 .....	7	7	7	7	7		
27	96001-06018-00	BOLT, FLANGE, 6X18 .....	2	-	-	-	-		
	96001-06016-00	BOLT, FLANGE, 6X16 .....	-	2	2	2	2		
28	96001-06030-00	BOLT, FLANGE, 6X30 .....	1	1	1	1	1		
29	90101-KRN-730	BOLT, SPECIAL, 5X9 .....	-	4	4	4	4		



Ref. No.	L.O.N.	(Relative ref. Number) Description	F.R.T.
1	413150	SEAT (10)	0.1
4	4111H9	COVER, SIDE :RIGHT	0.1
	4111J0	COVER, SIDE :BOTH	0.1
6		(12)	
	4111H8	COVER, SIDE :LEFT	0.1
	4111J0	COVER, SIDE :BOTH	0.1

3

Ref. No.	Part No.	Description	Reqd. QTY					Serial No.	Parts catalogue code
			4	5	6	7	8		
1	77100-KRN-000	SEAT COMP.	1	-	-	-	-		
	77100-KRN-730	.....	-	1	-	-	-		
	77100-KRN-850	.....	-	-	1	-	-		
	77100-KRN-A00	.....	-	-	-	1	-		
	77100-KRN-A01	.....	-	-	-	-	1		
2	77101-KRN-000	LEATHER COMP., SEAT (NO LETTERS PRINTED)	1	1	1	-	-		
	77101-KRN-A00	.....	-	-	-	1	1		
3	83505-KM4-000	COLLAR, TOOL BOX SETTING	2	2	-	-	-		
4	83510-KRN-000ZB	COVER, R. SIDE	1	-	-	-	-		
	*R292R*	.....EXTREME RED	-	1	-	-	-		
	83510-KRN-730ZA	*R292R*.....EXTREME RED	-	-	-	-	-		
5	83515-KS7-830	RUBBER, SIDE COVER STOPPER	2	2	-	-	-		
6	83610-KRN-000ZB	COVER, L. SIDE	1	-	-	-	-		
	*R292R*	.....EXTREME RED	-	1	-	-	-		
	83610-KRN-730ZA	*R292R*.....EXTREME RED	-	-	-	-	-		
7	90123-MEN-670	BOLT, FLANGE, 8X16	2	2	-	-	-		
8	90501-KZ4-J20	COLLAR A	2	2	-	-	-		
9	96001-06014-00	BOLT, FLANGE, 6X14	2	2	-	-	-		
10	83510-KRN-850	COVER, R. SIDE	-	-	1	-	-		
	83510-KRN-A00	.....	-	-	-	1	1		
11	83515-KZ3-700	RUBBER, SIDE COVER STOPPER	-	-	4	4	4		
12	83610-KRN-850	COVER, L. SIDE	-	-	1	-	-		
	83610-KRN-A00	.....	-	-	-	1	1		
13	90102-MEN-710	BOLT, SPECIAL, 8MM	-	-	2	2	2		
14	90103-MEN-710	BOLT, SPECIAL, 6MM	-	-	2	2	2		

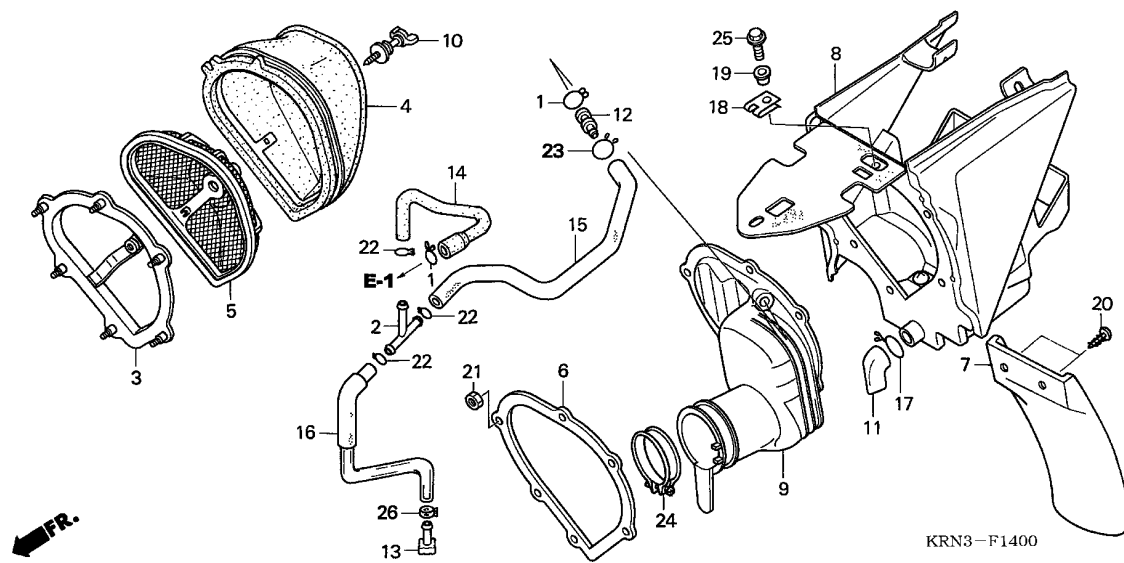


Ref. No.	L.O.N.	(Relative ref. Number) Description	F.R.T.
3	(6)		
3	3121C6	STAY, AIR CLEANER ELEMENT ....	0.5
4	3121O5	ELEMENT, AIR CLEANER .....	0.2
5	3121A8	BASE, AIR CLEANER ELEMENT ....	0.1
7	4131A0	MUDGUARD, AIR CLEANER CASE ...	0.1
8	3121A5	CASE, AIR CLEANER .....	0.5
9	3121B6	TUBE, AIR CLEANER CONNECTING .	0.5

Ref. No.	Part No.	Description	Reqd. QTY					Serial No.	Parts catalogue code
			4	5	6	7	8		
1	15771-551-000	CLIP, OIL DRAIN TUBE .....	2	2	-	-	-		
2	16959-MY1-000	JOINT, FUEL TUBE .....	1	1	-	-	-		
3	17212-MEN-670	STAY, AIR CLEANER ELEMENT ...	1	1	-	-	-		
4	17213-MEB-770	ELEMENT, AIR CLEANER .....	1	1	-	-	-		
5	17214-MEN-670	BASE ASSY., ELEMENT .....	1	1	-	-	-		
6	17217-MEB-770	PLATE, AIR CLEANER CASE FR. .	1	1	-	-	-		
7	17218-KRN-000	MUDGUARD, AIR CLEANER CASE ..	1	1	-	-	-		
8	17250-KRN-000	CASE COMP., AIR CLEANER .....	1	-	-	-	-		
	17250-KRN-730	.....	-	1	-	-	-		
9	17253-KRN-000	TUBE, AIR CLEANER CONNECTING	1	1	-	-	-		
10	17291-MEB-670	BOLT, AIR CLEANER ELEMENT SETTING	1	1	-	-	-		
11	17358-KRN-000	TUBE, DRAIN .....	1	1	-	-	-		
12	17359-MAG-L00	JOINT, BREATHER TUBE .....	1	1	-	-	-		
13	17370-419-700	PLUG, BREATHER TUBE .....	1	1	-	-	-		
14	17372-KRN-000	TUBE A, BREATHER .....	1	1	-	-	-		
15	17374-KRN-000	TUBE B, BREATHER .....	1	1	-	-	-		
16	17375-KRN-000	TUBE C, BREATHER .....	1	1	-	-	-		
17	17724-102-700	CLIP, SUB TANK HOSE .....	1	1	-	-	-		
18	90305-GK8-000	NUT, CLIP, 6MM .....	1	1	-	-	-		
19	90501-KRN-000	COLLAR, AIR CLEANER .....	1	1	-	-	-		
20	93913-15510	SCREW, TAPPING, 5X20 .....	2	2	-	-	-		
21	94002-05000-0S	NUT, HEX., 5MM .....	6	6	-	-	-		
22	95002-02120	CLIP, TUBE (B12) .....	3	3	-	-	-		
23	15707-634-000	CLIP, OIL DRAIN TUBE .....	1	1	-	-	-		





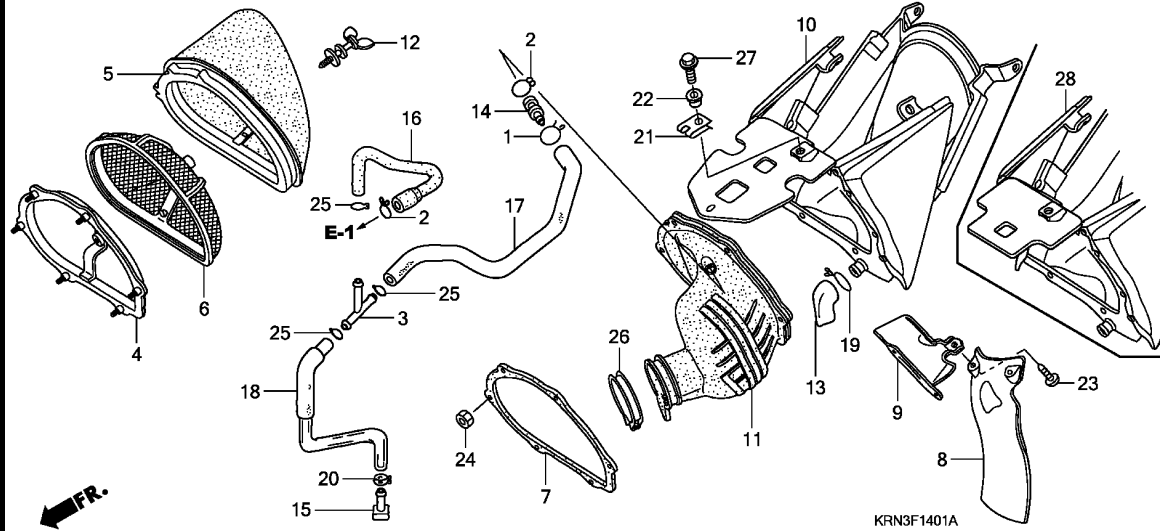


Ref. No.	Part No.	Description	Reqd. QTY				Serial No.	Parts catalogue code
			4	5	6	7		
24	95018-60321	BAND, AIR CLEANER CONNECTING TUBE (60)	1	1	-	-	-	
25	96001-06016-00	BOLT, FLANGE, 6X16 .....	1	1	-	-	-	
26	43514-KS6-701	CLAMP, MASTER CYLINDER OIL HOSE	1	1	-	-	-	

F-14-1

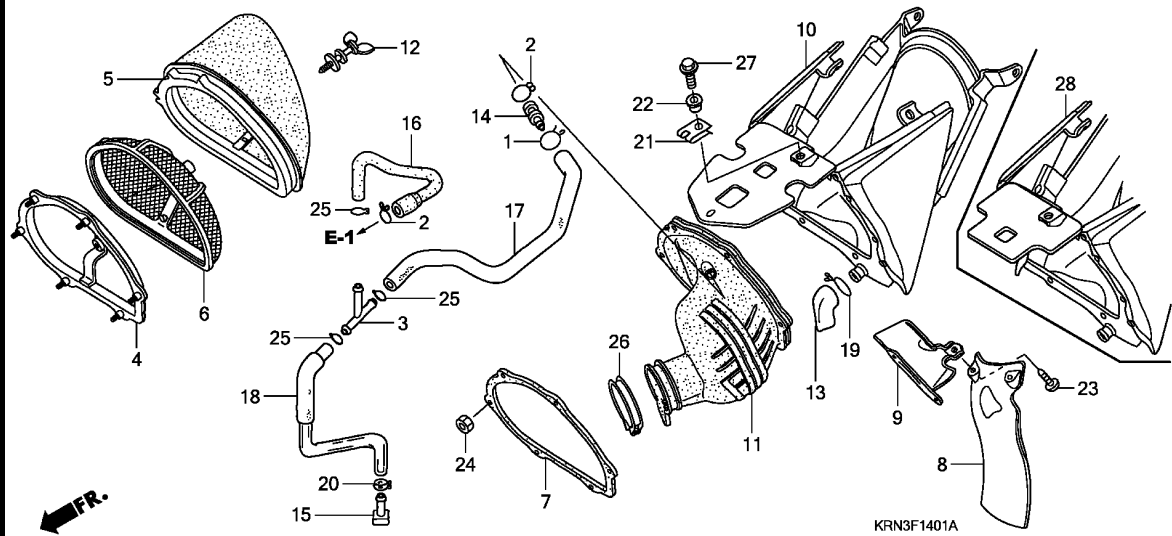
AIR CLEANER (CRF250R6/7/8)

H10



Ref. No.	L.O.N.	(Relative ref. Number) Description	F.R.T.
4		(7)	
	3121C6	STAY, AIR CLEANER ELEMENT ....	0.6
5	312105	ELEMENT, AIR CLEANER .....	0.2
6	3121A8	BASE, AIR CLEANER ELEMENT ....	0.1
8	4131A0	MUDGUARD, AIR CLEANER CASE ...	0.1
10		(28)	
	3121A5	CASE, AIR CLEANER .....	0.6
11	3121B6	TUBE, AIR CLEANER CONNECTING .	0.6

Ref. No.	Part No.	Description	Reqd. QTY				Serial No.	Parts catalogue code
			4	5	6	7		
1	15707-634-000	CLIP, OIL DRAIN TUBE .....	-	-	1	1	1	
2	15771-551-000	CLIP, OIL DRAIN TUBE .....	-	-	2	2	2	
3	16959-MY1-000	JOINT, FUEL TUBE .....	-	-	1	1	1	
4	17212-MEN-670	STAY, AIR CLEANER ELEMENT ...	-	-	1	1	1	
5	17213-KRN-850	ELEMENT, AIR CLEANER .....	-	-	1	1	1	
6	17214-MEN-670	BASE ASSY., ELEMENT .....	-	-	1	1	1	
7	17217-MEB-770	PLATE, AIR CLEANER CASE FR. .	-	-	1	1	1	
8	17218-KRN-850	MUDGUARD, AIR CLEANER CASE ..	-	-	1	1	1	
9	17230-KRN-850	GUARD, HEAT .....	-	-	1	1	1	
10	17250-KRN-850	CASE COMP., AIR CLEANER .....	-	-	1	1	-	
11	17253-KRN-850	TUBE, AIR CLEANER CONNECTING	-	-	1	1	1	
12	17291-MEB-670	BOLT, AIR CLEANER ELEMENT SETTING	-	-	1	1	1	
13	17358-KRN-000	TUBE, DRAIN .....	-	-	1	1	1	
14	17359-MAG-L00	JOINT, BREATHER TUBE .....	-	-	1	1	1	
15	17370-419-700	PLUG, BREATHER TUBE .....	-	-	1	1	1	
16	17372-KRN-000	TUBE A, BREATHER .....	-	-	1	1	1	
17	17374-KRN-000	TUBE B, BREATHER .....	-	-	1	1	1	
18	17375-KRN-000	TUBE C, BREATHER .....	-	-	1	1	-	
	17375-KRN-A10	.....	-	-	-	-	1	
19	17724-102-700	CLIP, SUB TANK HOSE .....	-	-	1	1	1	
20	43514-KS6-701	CLAMP, MASTER CYLINDER OIL HOSE	-	-	1	1	1	
21	90305-GK8-000	NUT, CLIP, 6MM .....	-	-	1	1	1	
22	90501-KRN-000	COLLAR, AIR CLEANER .....	-	-	1	1	1	

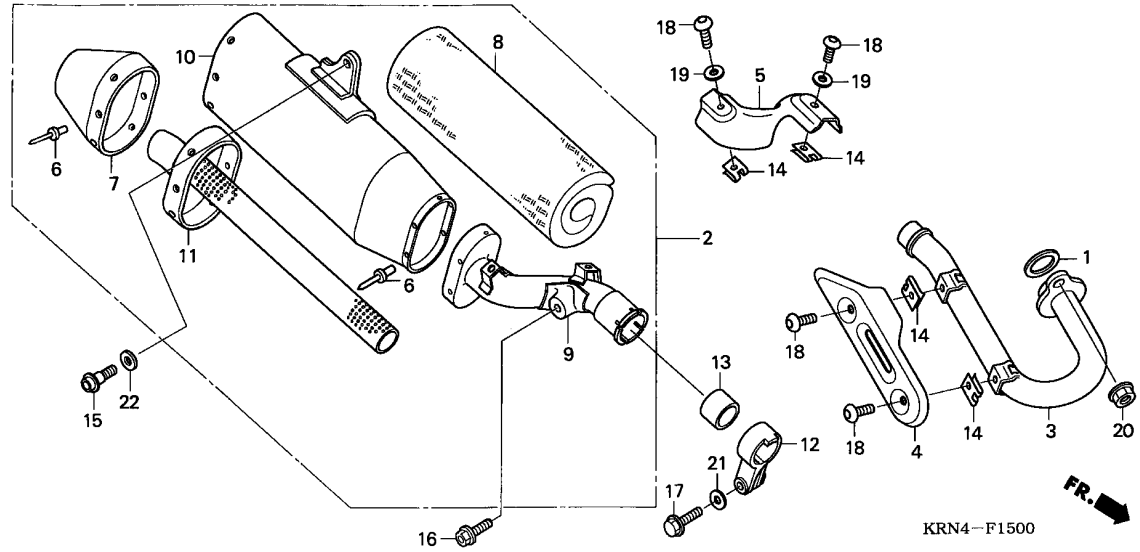


Ref. No.	Part No.	Description	Reqd. QTY					Serial No.	Parts catalogue code
			4	5	6	7	8		
23	93913-15510	SCREW, TAPPING, 5X20 .....	-	-	2	2	2		
24	94002-05000-0S	NUT, HEX., 5MM .....	-	-	6	6	6		
25	95002-02120	CLIP, TUBE (B12) .....	-	-	3	3	3		
26	95018-60321	BAND, AIR CLEANER CONNECTING TUBE (60) .....	-	-	1	1	1		
27	96001-06016-00	BOLT, FLANGE, 6X16 .....	-	-	1	1	1		
28	17250-KRN-A10	CASE COMP., AIR CLEANER .....	-	-	-	-	1		

F-15

EXHAUST MUFFLER (CRF250R4)

H12



Ref. No.	L.O.N.	(Relative ref. Number) Description	F.R.T.
1	3131B4	GASKET, EXHAUST PIPE .....	0.2
2		(13)	
2	313120	MUFFLER .....	0.1
3	313110	PIPE, EXHAUST .....	0.2
4	3131A6	PROTECTOR, EXHAUST PIPE .....	0.1
5	313121	PROTECTOR, MUFFLER .....	0.1
7	3131F2	CAP, MUFFLER END .....	0.6
8	3131C3	WOOL, GLASS .....	0.6
9	3131K1	BODY, MUFFLER :FRONT .....	0.5
10	3131F0	BODY, MUFFLER .....	1.0
11	3131J6	BODY, MUFFLER :REAR .....	0.6

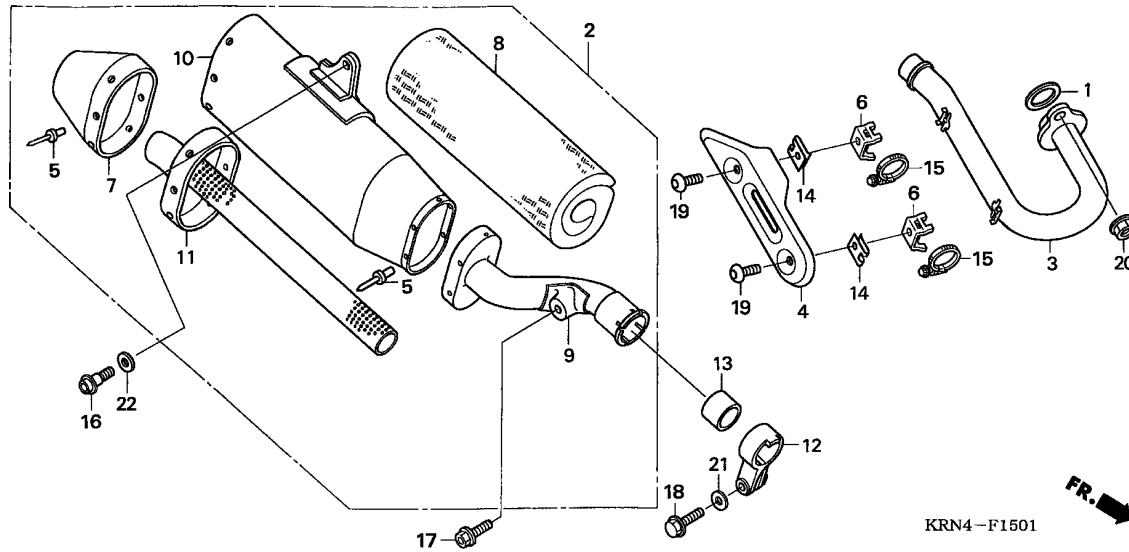
Ref. No.	Part No.	Description	Reqd. QTY					Serial No.	Parts catalogue code
			4	5	6	7	8		
1	18291-MM5-860	GASKET, EX. PIPE .....	1	-	-	-	-		
2	18310-KRN-000	MUFFLER COMP. (98DB) .....	1	-	-	-	-		
3	18320-KRN-000	PIPE COMP., EX. (98DB) .....	1	-	-	-	-		
4	18323-KRN-000	PROTECTOR, EX. PIPE .....	1	-	-	-	-		
5	18324-KRN-000	PROTECTOR, MUFFLER .....	1	-	-	-	-		
6	18324-MEB-670	RIVET, BLIND, 4.8 .....	12	-	-	-	-		
7	18332-KRN-300	COVER, END .....	1	-	-	-	-		
8	18336-KRN-000	WOOL COMP., GLASS .....	1	-	-	-	-		
9	18350-KRN-000	MUFFLER COMP., FR. ....	1	-	-	-	-		
10	18351-KRN-000	BODY COMP., MUFFLER .....	1	-	-	-	-		
11	18352-KRN-000	MUFFLER COMP., RR. (98DB) ...	1	-	-	-	-		
12	18374-MG7-701	BAND, L. MUFFLER .....	1	-	-	-	-		
13	18392-MK4-000	PACKING, MUFFLER .....	1	-	-	-	-		
14	19508-KA3-710	NUT, SPRING, 6MM .....	4	-	-	-	-		
15	90101-KZ3-J50	BOLT, FLANGE, 8X24 .....	1	-	-	-	-		
16	90123-KZ4-J40	BOLT, FLANGE, 8X18 .....	1	-	-	-	-		
17	90124-KZ4-J40	BOLT, FLANGE, 8X35 .....	1	-	-	-	-		
18	90170-MEB-670	BOLT, SPECIAL, 6MM .....	4	-	-	-	-		
19	90406-KV3-780	WASHER, 6MM .....	2	-	-	-	-		
20	94050-08000	NUT, FLANGE, 8MM .....	2	-	-	-	-		
21	94102-08800	WASHER, PLAIN, 8MM .....	1	-	-	-	-		
22	94103-08000	WASHER, PLAIN, 8MM .....	1	-	-	-	-		

3

# F-15-1

# EXHAUST MUFFLER (CRF250R5)

**H13**



Ref. No.	L.O.N.	(Relative ref. Number) Description	F.R.T.
1	3131B4	GASKET, EXHAUST PIPE .....	0.2
2		(13)	
2	313120	MUFFLER .....	0.1
3	313110	PIPE, EXHAUST .....	0.2
4	3131A6	PROTECTOR, EXHAUST PIPE .....	0.1
7	3131F2	CAP, MUFFLER END .....	0.6
8	3131C3	WOOL, GLASS .....	0.6
9	3131K1	BODY, MUFFLER :FRONT .....	0.5
10	3131F0	BODY, MUFFLER .....	1.0
11	3131J6	BODY, MUFFLER :REAR .....	0.6

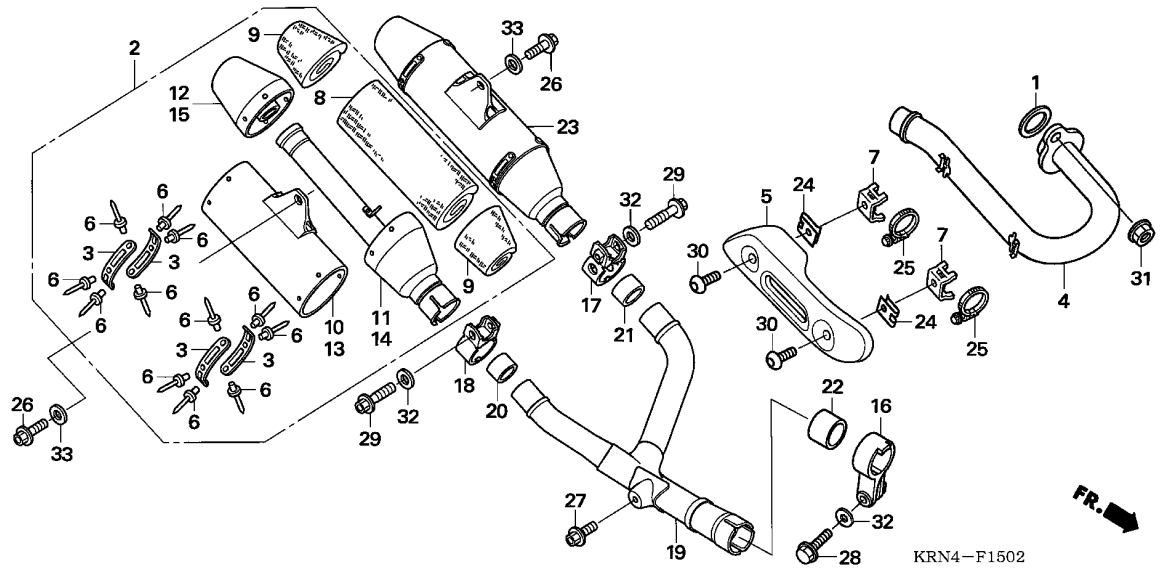
**3**

Ref. No.	Part No.	Description	Reqd. QTY					Serial No.	Parts catalogue code
			4	5	6	7	8		
1	18291-MM5-860	GASKET, EX. PIPE .....	-	1	-	-	-		
2	18310-KRN-730	MUFFLER COMP. (98DB) .....	-	1	-	-	-		
3	18320-KRN-730	PIPE COMP., EX. (98DB) .....	-	1	-	-	-		
4	18323-KRN-000	PROTECTOR, EX. PIPE .....	-	1	-	-	-		
5	18324-MEB-670	RIVET, BLIND, 4.8 .....	-	12	-	-	-		
6	18327-KRN-730	STAY, EX. PIPE PROTECTOR .....	-	2	-	-	-		
7	18332-KRN-730	COVER, END (98DB) .....	-	1	-	-	-		
8	18336-KRN-730	WOOL COMP., GLASS .....	-	1	-	-	-		
9	18350-KRN-730	MUFFLER COMP., FR. (98DB) ..	-	1	-	-	-		
10	18351-KRN-730	BODY COMP., MUFFLER (98DB) ..	-	1	-	-	-		
11	18352-KRN-000	MUFFLER COMP., RR. (98DB) .....	-	1	-	-	-		
12	18374-MG7-701	BAND, L. MUFFLER .....	-	1	-	-	-		
13	18392-MK4-000	PACKING, MUFFLER .....	-	1	-	-	-		
14	19508-KA3-710	NUT, SPRING, 6MM .....	-	2	-	-	-		
15	19509-MM5-003	CLAMPER, RADIATOR HOSE .....	-	2	-	-	-		
16	90101-KZ3-J50	BOLT, FLANGE, 8X24 .....	-	1	-	-	-		
17	90123-KZ4-J40	BOLT, FLANGE, 8X18 .....	-	1	-	-	-		
18	90124-KZ4-J40	BOLT, FLANGE, 8X35 .....	-	1	-	-	-		
19	90170-MEB-670	BOLT, SPECIAL, 6MM .....	-	2	-	-	-		
20	94050-08000	NUT, FLANGE, 8MM .....	-	2	-	-	-		
21	94102-08800	WASHER, PLAIN, 8MM .....	-	1	-	-	-		
22	94103-08000	WASHER, PLAIN, 8MM .....	-	1	-	-	-		

# F-15-2

# EXHAUST MUFFLER (CRF250R6)

**H14**



Ref. No.	L.O.N.	(Relative ref. Number) Description	F.R.T.
1	3131B4	GASKET, EXHAUST PIPE .....	0.2
2		(20)	
	3131B6	MUFFLER :RIGHT .....	0.1
	3131D6	MUFFLER :BOTH .....	0.2
4		(22)	
	313110	PIPE, EXHAUST .....	0.2
5	3131A6	PROTECTOR, EXHAUST PIPE .....	0.1
8		(9)	
	3131J9	WOOL, GLASS :LEFT .....	0.9
	3131K0	WOOL, GLASS :RIGHT .....	0.9
		(11)	
10	3131J5	BODY, MUFFLER :RIGHT .....	0.9
12	3131J8	BODY, MUFFLER :RIGHT REAR .....	0.5
13		(14)	
	3131J4	BODY, MUFFLER :LEFT .....	0.9
15	3131J7	BODY, MUFFLER :LEFT REAR .....	0.5
19	313151	JOINT, EXHAUST PIPE .....	0.3
23		(21)	
	3131B5	MUFFLER :LEFT .....	0.1
	3131D6	MUFFLER :BOTH .....	0.2

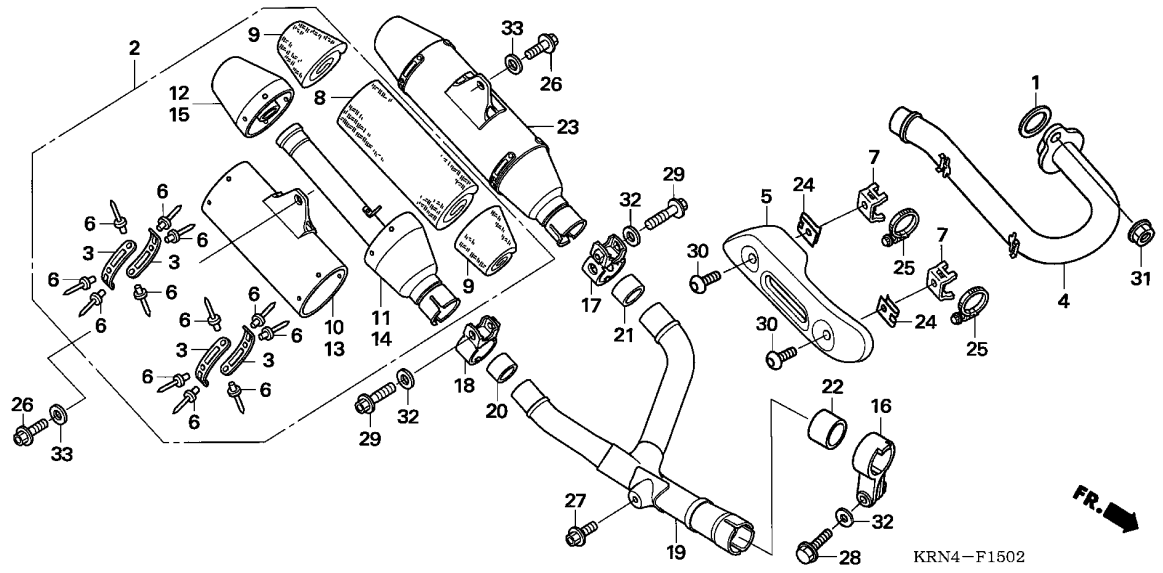
Ref. No.	Part No.	Description	Reqd. QTY					Serial No.	Parts catalogue code
			4	5	6	7	8		
1	18291-MM5-860	GASKET, EX. PIPE .....	-	-	1	-	-		
2	18310-KRN-862	MUFFLER COMP., R. (96DB) .....	-	-	1	-	-		
3	18317-KRN-850	BAND, MUFFLER BODY .....	-	-	8	-	-		
4	18320-KRN-850	PIPE COMP., EX. ....	-	-	1	-	-		
5	18323-KRN-000	PROTECTOR, EX. PIPE .....	-	-	1	-	-		
6	18324-MEB-670	RIVET, BLIND, 4.8 .....	-	-	24	-	-		
7	18327-KRN-730	STAY, EX. PIPE PROTECTOR .....	-	-	2	-	-		
8	18336-KRN-860	WOOL A, GLASS .....	-	-	2	-	-		
9	18337-KRN-850	WOOL B, GLASS .....	-	-	4	-	-		
10	18350-KRN-860	BODY COMP., R. MUFFLER .....	-	-	1	-	-		
11	18351-KRN-850	MUFFLER COMP., R. FR. ....	-	-	1	-	-		
12	18352-KRN-862	MUFFLER COMP., R. RR. (96DB) .....	-	-	1	-	-		
13	18353-KRN-860	BODY COMP., L. MUFFLER .....	-	-	1	-	-		
14	18354-KRN-850	MUFFLER COMP., L. FR. ....	-	-	1	-	-		
15	18355-KRN-861	MUFFLER COMP., L. RR. (96DB) .....	-	-	1	-	-		
16	18374-MG7-701	BAND, L. MUFFLER .....	-	-	1	-	-		
17	18374-MLO-000	BAND, L. EX. PIPE .....	-	-	1	-	-		
18	18374-ML4-003	BAND, L. EX. PIPE .....	-	-	1	-	-		
19	18380-KRN-860	PIPE, COMP., EX. JOINT (96DB) .....	-	-	1	-	-		
20	18391-ML8-000	PACKING, MUFFLER .....	-	-	1	-	-		
21	18392-HA7-710	PACKING, EX. ....	-	-	1	-	-		
22	18392-MK4-000	PACKING, MUFFLER .....	-	-	1	-	-		
23	18410-KRN-861	MUFFLER COMP., L. (96DB) .....	-	-	1	-	-		
24	19508-KA3-710	NUT, SPRING, 6MM .....	-	-	2	-	-		
25	19509-MM5-003	CLAMPER, RADIATOR HOSE .....	-	-	2	-	-		

**3**

F-15-2

EXHAUST MUFFLER (CRF250R6)

H15



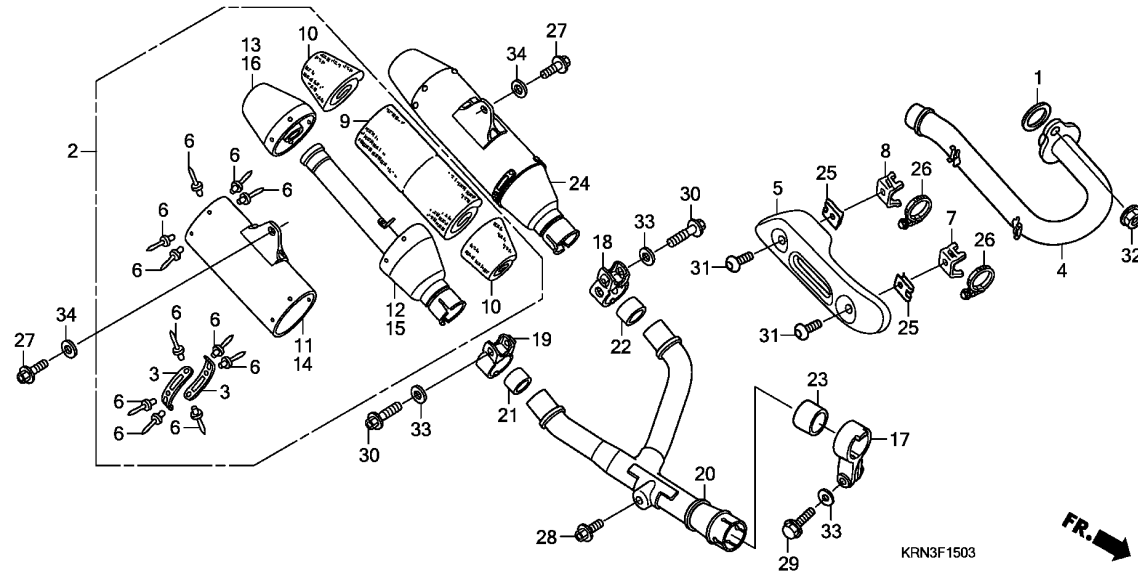
Ref. No.	Part No.	Description	Reqd. QTY					Serial No.	Parts catalogue code
			4	5	6	7	8		
26	90101-KZ3-J50	BOLT, FLANGE, 8X24	-	-	2	-	-		
27	90123-MEN-730	BOLT, 8X18	-	-	1	-	-		
28	90124-KZ4-J40	BOLT, FLANGE, 8X35	-	-	1	-	-		
29	90124-MEB-770	BOLT, FLANGE, 8X32	-	-	2	-	-		
30	90170-MEB-670	BOLT, SPECIAL, 6MM	-	-	2	-	-		
31	94050-08000	NUT, FLANGE, 8MM	-	-	2	-	-		
32	94102-08800	WASHER, PLAIN, 8MM	-	-	3	-	-		
33	94103-08000	WASHER, PLAIN, 8MM	-	-	2	-	-		

3

**F-15-3**

**EXHAUST MUFFLER (CRF250R7/8)**

**H16**



Ref. No.	L.O.N.	(Relative ref. Number) Description	F.R.T.
1	3131B4	GASKET, EXHAUST PIPE .....	0.2
2		(21)	
	3131B6	MUFFLER :RIGHT .....	0.1
	3131D6	MUFFLER :BOTH .....	0.2
4		(23)	
	313110	PIPE, EXHAUST .....	0.2
5	3131A6	PROTECTOR, EXHAUST PIPE .....	0.1
9		(10)	
	3131J9	WOOL, GLASS :LEFT .....	0.9
	3131K0	WOOL, GLASS :RIGHT .....	0.9
11		(12)	
	3131J5	BODY, MUFFLER :RIGHT .....	0.9
13	3131J8	BODY, MUFFLER :RIGHT REAR .....	0.5
14		(15)	
	3131J4	BODY, MUFFLER :LEFT .....	0.9
16	3131J7	BODY, MUFFLER :LEFT REAR .....	0.5
20	313151	JOINT, EXHAUST PIPE .....	0.3
24		(22)	
	3131B5	MUFFLER :LEFT .....	0.1
	3131D6	MUFFLER :BOTH .....	0.2

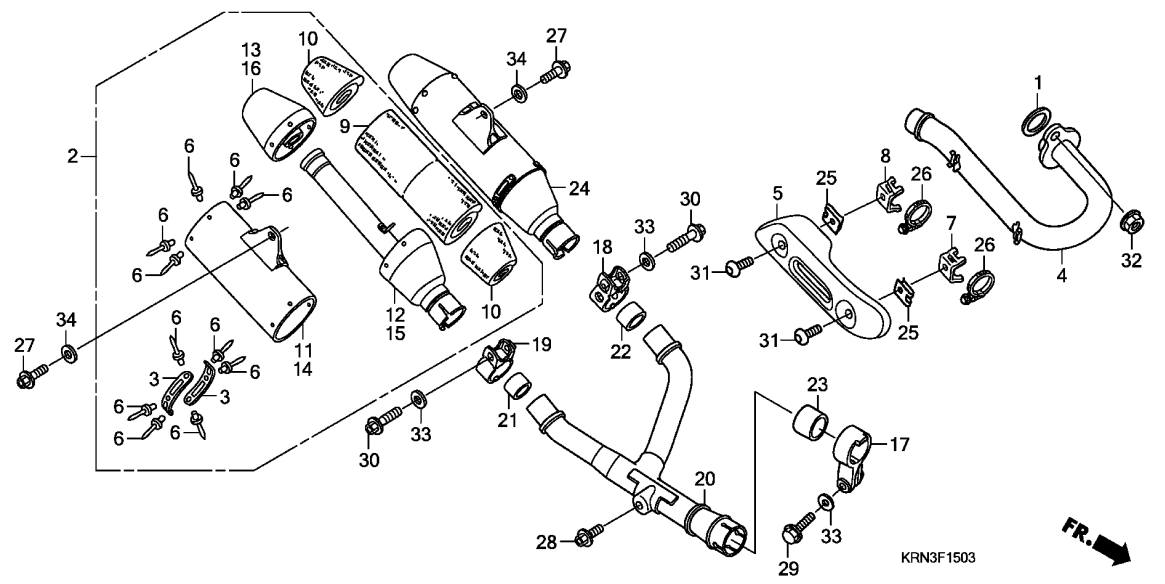
Ref. No.	Part No.	Description	Reqd. QTY					Serial No.	Parts catalogue code
			4	5	6	7	8		
1	18291-MM5-860	GASKET, EX. PIPE .....	-	-	-	1	1		
2	18310-KRN-E00	MUFFLER COMP., R. (96DB) .....	-	-	-	1	-		
	18310-KRN-E10	MUFFLER COMP., R. (94DB) .....	-	-	-	-	1		
3	18317-KRN-850	BAND, MUFFLER BODY .....	-	-	-	4	-		
	18317-KRN-E10	.....	-	-	-	-	4		
4	18320-KRN-A00	PIPE COMP., EX. ....	-	-	-	1	-		
	18320-KRN-A10	.....	-	-	-	-	1		
5	18323-KRN-000	PROTECTOR, EX. PIPE .....	-	-	-	1	1		
6	18326-KRN-A00	RIVET, BLIND, 3.2 .....	-	-	-	24	24		
7	18327-KRN-730	STAY, EX. PIPE PROTECTOR .....	-	-	-	1	1		
8	18328-KRN-A00	STAY, RR. EX. PIPE PROTECTOR .....	-	-	-	1	1		
9	18336-KRN-E00	PACK A, GLASS WOOL .....	-	-	-	2	-		
	18336-KRN-E10	.....	-	-	-	-	2		
10	18337-KRN-850	WOOL B, GLASS .....	-	-	-	4	-		
	18337-KRN-A10	PACK B, GLASS WOOL .....	-	-	-	-	4		
11	18350-KRN-E00	BODY COMP., R. MUFFLER .....	-	-	-	1	-		
	18350-KRN-E10	.....	-	-	-	-	1		
12	18351-KRN-A00	MUFFLER COMP., R. FR. ....	-	-	-	1	-		
	18351-KRN-E10	.....	-	-	-	-	1		
13	18352-KRN-862	MUFFLER COMP., R. RR. (96DB) .....	-	-	-	1	-		
	18352-KRN-E10	MUFFLER COMP., R. RR. (94DB) .....	-	-	-	-	1		
14	18353-KRN-E00	BODY COMP., L. MUFFLER .....	-	-	-	1	-		
	18353-KRN-E10	.....	-	-	-	-	1		
15	18354-KRN-A00	MUFFLER COMP., L. FR. ....	-	-	-	1	-		
	18354-KRN-E10	.....	-	-	-	-	1		
16	18355-KRN-861	MUFFLER COMP., L. RR. (96DB) .....	-	-	-	1	-		



F-15-3

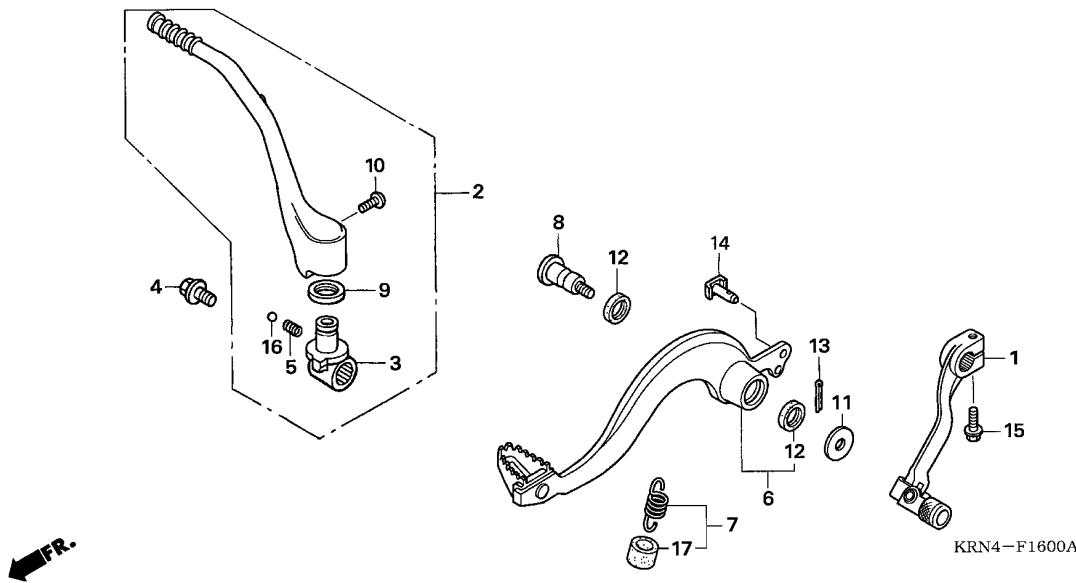
EXHAUST MUFFLER (CRF250R7/8)

I 1



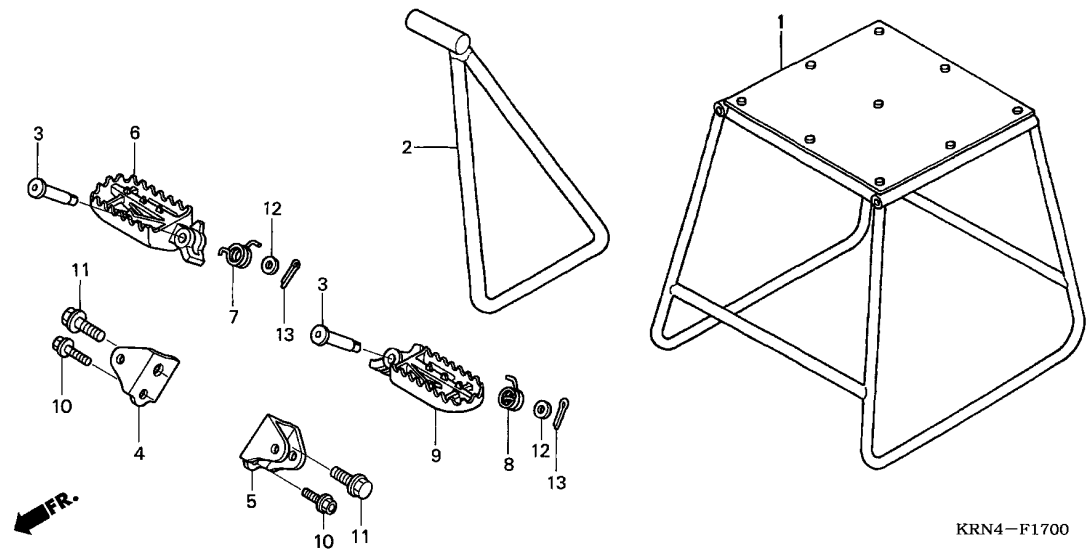
Ref. No.	Part No.	Description	Reqd. QTY				Serial No.	Parts catalogue code
			4	5	6	7		
16)	18355-KRN-E10	MUFFLER COMP., L. RR. (94DB)	-	-	-	-	1	
17	18374-MG7-701	BAND, L. MUFFLER .....	-	-	-	1	1	
18	18374-MLO-000	BAND, L. EX. PIPE .....	-	-	-	1	1	
19	18374-ML4-003	BAND, L. EX. PIPE .....	-	-	-	1	1	
20	18380-KRN-E00	PIPE, COMP., EX. JOINT .....	-	-	-	1	-	
	18380-KRN-E10	.....	-	-	-	-	1	
21	18391-ML8-000	PACKING, MUFFLER .....	-	-	-	1	1	
22	18392-HA7-710	PACKING, EX. ....	-	-	-	1	1	
23	18392-MK4-000	PACKING, MUFFLER .....	-	-	-	1	1	
24	18410-KRN-E00	MUFFLER COMP., L. (96DB) .....	-	-	-	1	-	
	18410-KRN-E10	MUFFLER COMP., L. (94DB) .....	-	-	-	-	1	
25	19508-KA3-710	NUT, SPRING, 6MM .....	-	-	-	2	2	
26	19509-MM5-003	CLAMPER, RADIATOR HOSE .....	-	-	-	2	2	
27	90101-KZ3-J50	BOLT, FLANGE, 8X24 .....	-	-	-	2	2	
28	90123-MEN-730	BOLT, 8X18 .....	-	-	-	1	1	
29	90124-KZ4-J40	BOLT, FLANGE, 8X35 .....	-	-	-	1	1	
30	90124-MEB-770	BOLT, FLANGE, 8X32 .....	-	-	-	2	2	
31	90170-MEB-670	BOLT, SPECIAL, 6MM .....	-	-	-	2	2	
32	94050-08000	NUT, FLANGE, 8MM .....	-	-	-	2	2	
33	94102-08800	WASHER, PLAIN, 8MM .....	-	-	-	3	3	
34	94103-08000	WASHER, PLAIN, 8MM .....	-	-	-	2	2	

3



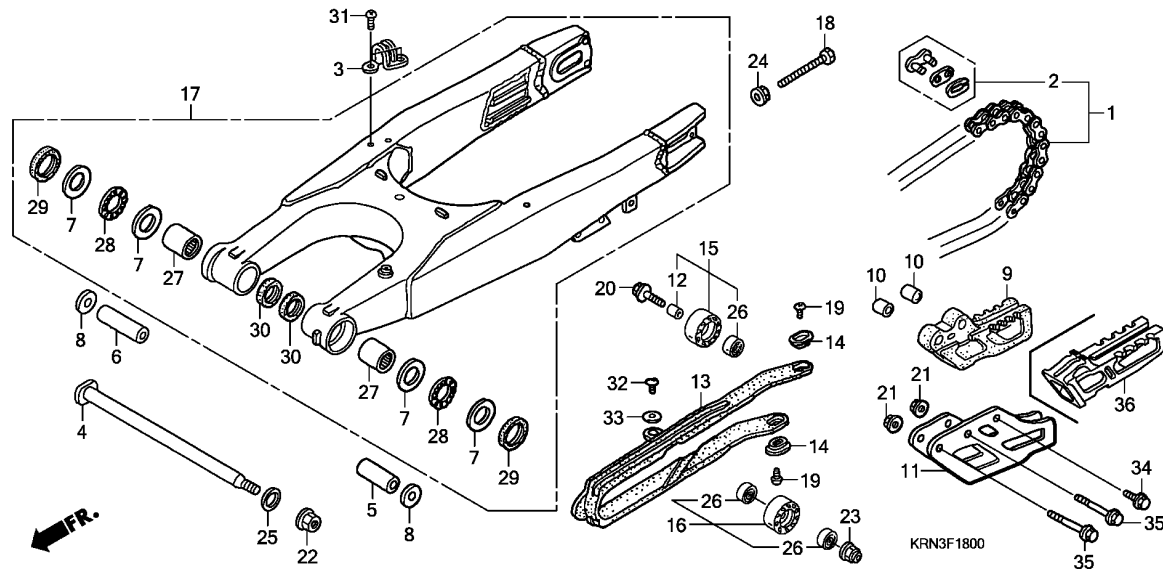
Ref. No.	L.O.N.	(Relative ref. Number) Description	F.R.T.
1	4101A1	PEDAL, GEAR CHANGE .....	0.1
2	112107	ARM, KICK STARTER .....	0.1
6	810160	PEDAL, REAR BRAKE .....	0.2

Ref. No.	Part No.	Description	Reqd. QTY					Serial No.	Parts catalogue code
			4	5	6	7	8		
1	24700-KRN-000	PEDAL COMP., CHANGE .....	1	1	1	1	1		
2	28300-KRN-000	ARM ASSY., KICK STARTER .....	1	1	1	1	1		
3	28302-KRN-000	JOINT, KICK ARM .....	1	1	1	1	1		
4	28306-MEN-670	BOLT, KICK JOINT .....	1	1	1	1	1		
5	28333-KK0-000	SPRING, KICK STARTER .....	1	1	1	1	1		
6	46510-KRN-000	PEDAL, RR. BRAKE .....	1	1	1	1	1		
7	46511-KZ4-J00	SPRING ASSY., RR. BRAKE RETURN	1	1	1	1	1		
8	46513-KRN-000	SHAFT, BRAKE PIVOT .....	1	-	-	-	-		
	46513-KRN-730	.....	-	1	1	1	1		
9	46525-KK0-003	DUST SEAL, 17X20X2.5 .....	1	1	1	1	1		
10	90103-KRN-000	BOLT, KICK ARM .....	1	1	1	1	1		
11	90404-MEN-670	WASHER, 26X9 .....	1	-	-	-	-		
	90512-KRN-730	WASHER, 26X10.5 .....	-	1	1	1	1		
12	91251-444-000	DUST SEAL, 15X20X2.5 .....	2	2	2	2	2		
13	94201-20120	PIN, SPLIT, 2.0X12 .....	1	1	1	1	1		
14	95015-54000	PIN D, JOINT .....	1	1	1	1	1		
15	96001-06022-00	BOLT, FLANGE, 6X22 .....	1	1	1	1	1		
16	96211-08000	BALL, STEEL, #8 (1/4) .....	1	1	1	1	1		
17	46515-MN1-670	TUBE, BRAKE PEDAL SPRING .....	1	1	1	1	1		



Ref. No.	L.O.N.	(Relative ref. Number) Description	F.R.T.
4	4101C4	BRACKET, STEP :RIGHT	0.2
	4101N7	BRACKET, STEP :BOTH	0.3
5	4101C3	BRACKET, STEP :LEFT	0.2
	4101N7	BRACKET, STEP :BOTH	0.3
6	4101C6	BAR, MAIN STEP :RIGHT	0.1
	4101J1	BAR, MAIN STEP :BOTH	0.2
9	4101C5	BAR, MAIN STEP :LEFT	0.1
	4101J1	BAR, MAIN STEP :BOTH	0.2

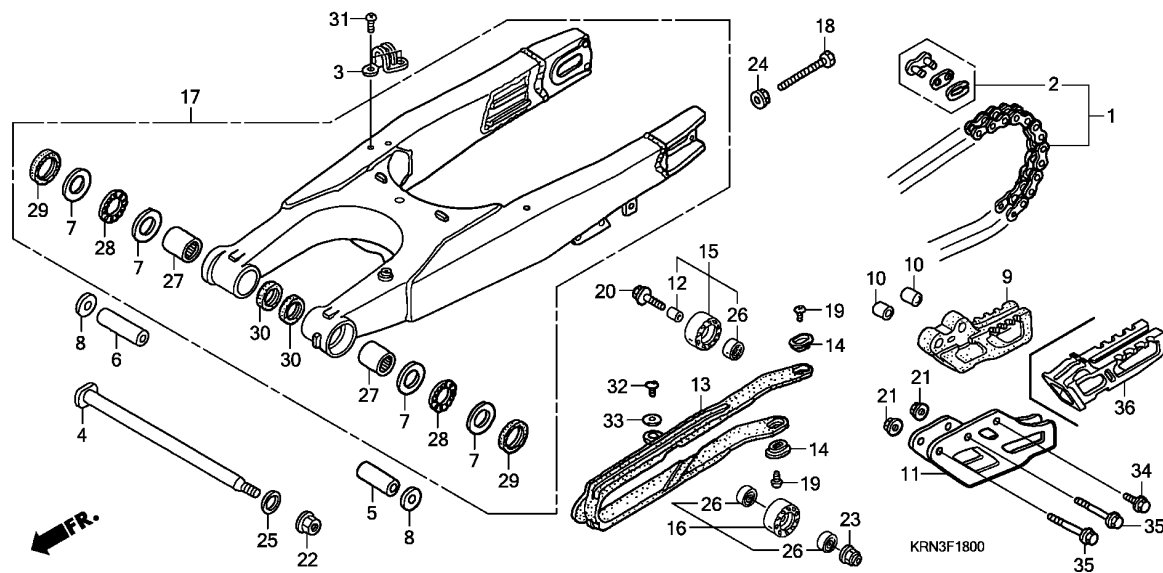
Ref. No.	Part No.	Description	Reqd. QTY					Serial No.	Parts catalogue code
			4	5	6	7	8		
1	50500-KA3-820	STAND COMP., MAIN	(1)	(1)	(1)	(1)	(1)		
2	50530-KZ4-J40	BAR, SIDE STAND	1	1	1	1	1		
3	50603-KZ4-J40	PIN, STEP JOINT	2	2	2	2	2		
4	50610-MEN-670	BRACKET, R. STEP	1	-	-	-	-		
	50610-MEN-671	.....	-	1	1	1	1		
5	50611-MEN-670	BRACKET, L. STEP	1	-	-	-	-		
	50611-MEN-671	.....	-	1	1	1	1		
6	50616-MEN-670	ARM, R. STEP	1	1	1	1	1		
7	50617-KZ4-J40	SPRING, R. STEP RETURN	1	1	1	1	1		
8	50618-KZ4-J40	SPRING, L. STEP RETURN	1	1	1	1	1		
9	50642-MEN-670	ARM, L. STEP	1	1	1	1	1		
10	90101-KZ3-J50	BOLT, FLANGE, 8X24	2	2	2	2	2		
11	90101-KZ4-J40	BOLT, STEP, 12MM	2	2	2	2	2		
12	94102-08800	WASHER, PLAIN, 8MM	2	2	2	2	2		
13	94201-25150	PIN, SPLIT, 2.5X15	2	2	2	2	2		



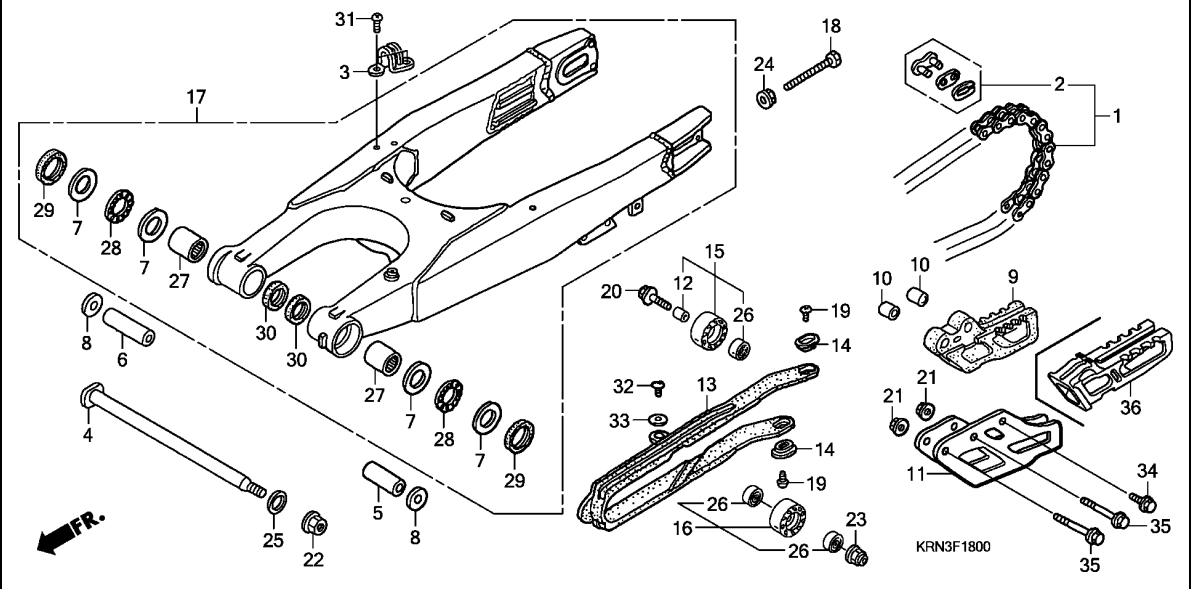
Ref. No.	L.O.N.	(Relative ref. Number) Description	F.R.T.
1	213165	CHAIN, DRIVE .....	0.2
5	5121B1	COLLAR, SWINGARM PIVOT :LEFT .	0.8
	5121G8	COLLAR, SWINGARM PIVOT :BOTH .	0.8
6	5121B2	COLLAR, SWINGARM PIVOT :RIGHT .	0.8
	5121G8	COLLAR, SWINGARM PIVOT :BOTH .	0.8
9		(11,36)	
	4101E2	GUIDE, DRIVE CHAIN .....	0.1
13	4101E5	SLIDER, CHAIN .....	0.3
15	4101E4	ROLLER, CHAIN TENSIONER .....	0.1
16	4101E3	ROLLER, CHAIN LOWER .....	0.1
17	5121B0	SWINGARM ASSEMBLY .....	1.1
27	5121C8	BEARING, SWINGARM PIVOT :LEFT	1.1
	5121C9	BEARING, SWINGARM PIVOT :RIGHT	1.1
	5121D0	BEARING, SWINGARM PIVOT :BOTH	1.2

Ref. No.	Part No.	Description	Reqd. QTY					Serial No.	Parts catalogue code
			4	5	6	7	8		
1	40530-KZ3-J31	CHAIN, DRIVE (DAIDO) (DID520DMA2-114RB) (STANDARD LINK 114L)	1	1	1	1	1		
	40530-KRN-A12	CHAIN, DRIVE (RK EXCEL) (RK520TXZ-114RJ) (STANDARD LINK 114L)	-	-	-	-	1		
	40540-MEN-003	CHAIN, DRIVE (DAIDO) (DID520DMA2-120RB) (STANDARD LINK 114L)	(1)	(1)	(1)	(1)	(1)		
2	40531-KZ4-J31	JOINT, DRIVE CHAIN (DAIDO) ..	1	1	1	1	1		
	40531-KRN-A12	JOINT, DRIVE CHAIN (RK EXCEL)	-	-	-	-	1		
3	43468-KZ3-B00	GUIDE, RR. BRAKE HOSE .....	1	1	1	1	1		
4	52101-KZ4-J40	SHAFT, SWINGARM PIVOT .....	1	1	1	1	1		
5	52141-KZ3-J40	COLLAR, SWINGARM, 49MM .....	1	1	1	1	1		
6	52141-KZ4-J40	COLLAR, SWINGARM PIVOT (59MM)	1	1	1	1	1		
7	52143-KZ3-860	WASHER, SWINGARM SIDE .....	4	4	4	4	4		
8	52143-KZ4-J40	COLLAR, SWINGARM PIVOT SIDE .	2	2	2	2	2		
9	52146-MEN-000	GUIDE, CHAIN .....	1	-	-	-	-		
	52146-KRN-710	.....	-	1	-	-	-	ED,ED/B,U,U/B	
			-	1	-	-	-	5K110522 U/A	
			-	1	-	-	-	5K112069 ED/A	
	52146-KRN-711	.....	-	1	-	-	-	5K110523 U/A	
			-	1	-	-	-	5K112070 ED/A	
10	52148-MEN-000	COLLAR, CHAIN GUIDE .....	2	2	2	-	-		
11	52156-ML3-910	PLATE, CHAIN GUIDE .....	1	-	-	-	-		
	52147-KRN-710	.....	-	1	1	-	-		



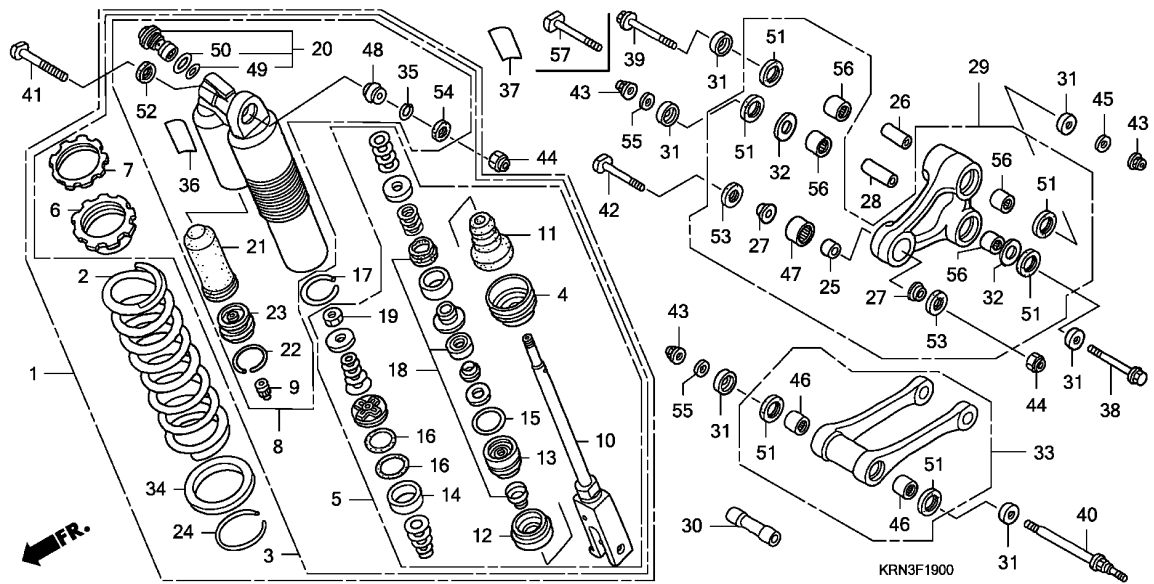


Ref. No.	Part No.	Description	Reqd. QTY				Serial No.	Parts catalogue code
			4	5	6	7		
11)	52147-MEN-J00	PLATE, CHAIN GUIDE .....	-	-	-	1	1	
12	52160-MEN-000	COLLAR, CHAIN TENSIONER .....	1	1	1	1	1	
13	52170-MEB-750	SLIDER, CHAIN .....	1	-	-	-	-	
	52170-KRN-710	.....	-	1	1	1	1	
14	52171-KR6-000	WASHER, CHAIN SLIDER .....	2	2	2	2	2	
15	52175-MEN-000	ROLLER, CHAIN (42) .....	1	1	1	1	1	
16	52176-KZ3-J40	ROLLER COMP., CHAIN LOWER ...	1	-	-	-	-	
	52176-KRN-710	ROLLER COMP., CHAIN LOWER (34MM)	-	1	1	1	1	
17	52200-KSK-000	SWINGARM SUB ASSY., RR. ....	1	-	-	-	-	
	52200-KRN-710	.....	-	1	-	-	-	
	52200-KRN-840	.....	-	-	1	-	-	
	52200-KRN-J00	.....	-	-	-	1	-	
	52200-KRN-A10	.....	-	-	-	-	1	
18	90105-MEN-000	BOLT, HEX., 8X47.5 .....	2	2	2	2	2	
19	90115-KV3-700	SCREW, PAN, 5X8 .....	2	2	2	2	2	
20	90124-MEB-770	BOLT, FLANGE, 8X32 .....	1	1	1	1	1	
21	90301-473-003	NUT, U, 6MM .....	2	2	2	2	2	
22	90305-KZ3-B01	NUT, U, HEX. 14MM .....	1	1	1	1	1	
23	90309-ML3-791	NUT, U, 8MM .....	1	-	-	-	-	
	90301-473-003	NUT, U, 6MM .....	-	1	1	1	1	
24	90309-357-000	NUT, HEX., 8MM .....	2	2	2	2	2	
25	90501-GBL-730	WASHER, 14MM .....	1	1	1	1	1	
26	91011-GCT-003	BEARING, RADIAL BALL, 608UU ..	3	3	3	3	3	
27	91071-MJ0-003	BEARING, NEEDLE, 22X29X30 (NTN)	2	2	2	2	2	
28	91072-KZ3-861	BEARING, NEEDLE THRUST .....	2	2	2	2	2	



Ref. No.	Part No.	Description	Reqd. QTY					Serial No.	Parts catalogue code
			4	5	CRF250R 6	7	8		
29	91253-KZ3-861	DUST SEAL, 30X37X4 .....	2	2	2	2	2		
30	91283-ML7-003	DUST SEAL, 22X29X4 (ARAI) ....	2	2	2	2	2		
31	93500-05008-0A	SCREW, PAN, 5X8 .....	2	2	2	2	2		
32	93500-05008-0G	SCREW, PAN, 5X8 .....	1	1	1	1	1		
33	94103-05700	WASHER, PLAIN, 5MM .....	1	1	1	1	1		
34	96001-06012-00	BOLT, FLANGE, 6X12 .....	1	1	1	1	1		
35	96001-06050-00	BOLT, FLANGE, 6X50 .....	2	2	2	-	-		
	96001-06045-00	BOLT, FLANGE, 6X45 .....	-	-	-	2	2		
36	52146-MEN-J00	GUIDE, CHAIN .....	-	-	-	1	1		

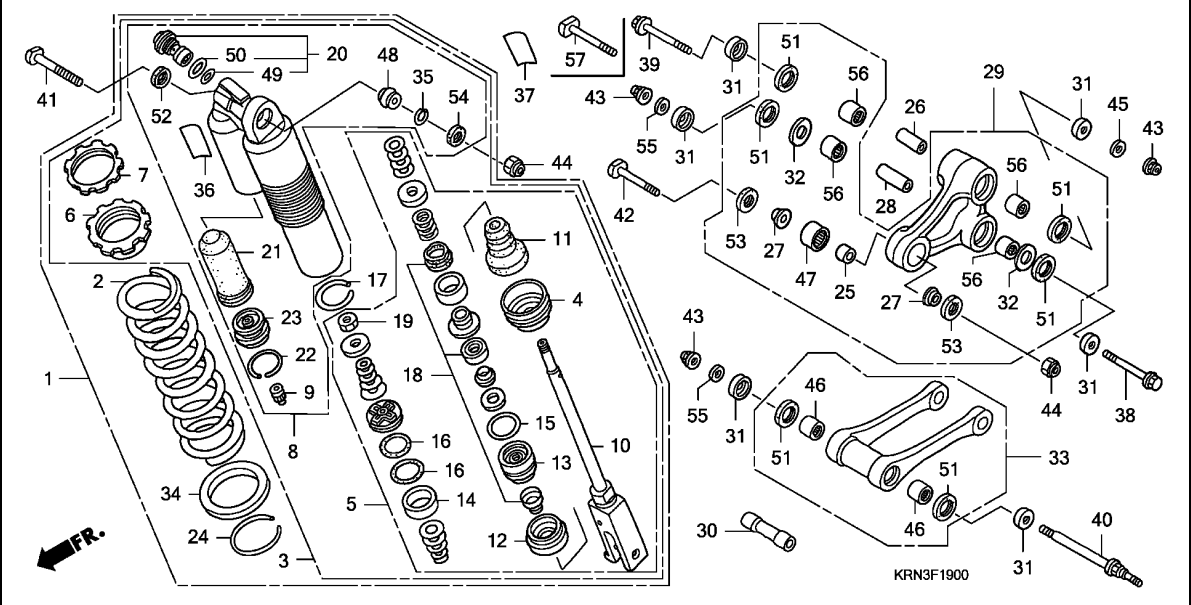




Ref. No.	L.O.N.	(Relative ref. Number) Description	F.R.T.
1	512115	CUSHION ASSY., REAR .....	0.5
2	5121B9	SPRING, REAR CUSHION .....	0.7
3	5121D2	DAMPER, REAR .....	0.8
5	5121H0	ROD ASSY., REAR DAMPER .....	1.1
8	5121D9	CASE, DAMPER .....	1.1
10	5121E1	ROD, REAR DAMPER .....	1.3
13		(4,11,12,14,15,16,18,19)	
	5121H1	CASE, ROD GUIDE .....	1.3
20	5121D8	ADJUSTER, COMPRESSION DAMPING FORCE .....	0.9
21		(23)	
	5121E0	BLADDER .....	0.9
29		(26,28)	
	512140	ARM, CUSHION .....	0.5
33		(30)	
	512145	ROD, CUSHION CONNECTING .....	0.3
46	5121D4	BEARING, CUSHION CONNECTING ROD .....	0.5
	5121D4A	.Replace 1 bearing add .....	0.1
48	5121D1	BEARING, REAR CUSHION .....	0.7
56		(47)	
	512146	BEARING, CUSHION ARM .....	0.7
	5121D3	BEARING, CUSHION ARM :FOR 1 VEHICLE .....	1.1

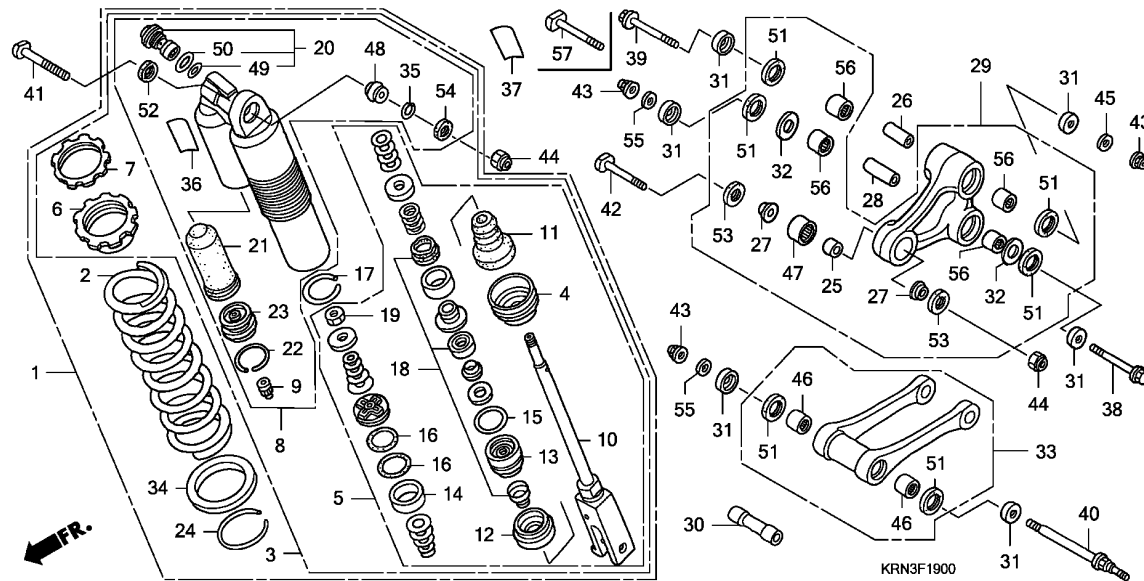
3

Ref. No.	Part No.	Description	Reqd. QTY					Serial No.	Parts catalogue code
			4	5	6	7	8		
1	52400-KRN-671	CUSHION ASSY., RR. (SHOWA) ..	1	-	-	-	-		
	52400-KRN-731	.....	-	1	-	-	-		
	52400-KRN-851	.....	-	-	1	1	-		
	52400-KRN-A11	.....	-	-	-	-	1	----- ED,U	
	52400-KRN-D11	CUSHION ASSY., RR. ....	-	-	-	-	1	----- DE	
2	52402-MEB-751	SPRING, RR. CUSHION (SHOWA) (52.0N/MM,5.3KGF/MM)	1	1	1	1	1		
	52401-KZ3-J51	SPRING, RR. CUSHION (SHOWA) (50.0N/MM,5.1KGF/MM)	(1)	(1)	(1)	(1)	(1)		
	52401-MEB-751	SPRING, RR. CUSHION (SHOWA) (53.9N/MM,5.5KGF/MM)	(1)	(1)	(1)	(1)	(1)		
	52403-MEB-751	SPRING, RR. CUSHION (SHOWA) (55.9N/MM,5.7KGF/MM)	(1)	(1)	(1)	(1)	(1)		
3	52410-KRN-671	DAMPER COMP., RR. ....	1	-	-	-	-		
	52410-KRN-731	.....	-	1	-	-	-		
	52410-KRN-851	.....	-	-	1	1	-		
	52410-KRN-A11	.....	-	-	-	-	1	----- ED,U	
	52410-KRN-D11	.....	-	-	-	-	1	----- DE	
4	52419-KZ3-J21	STOPPER, SPRING SEAT .....	1	1	1	1	1		
5	52421-KRN-671	ROD COMP., PISTON .....	1	-	-	-	-		
	52421-KRN-731	.....	-	1	-	-	-		
	52421-KRN-851	.....	-	-	1	1	-		
	52421-KRN-A11	.....	-	-	-	-	1	----- ED,U	
	52421-KRN-D11	.....	-	-	-	-	1	----- DE	
6	52422-KZ3-J31	ADJUSTER, SPRING .....	1	1	1	1	1		
7	52423-KZ3-J21	NUT, ADJUSTER .....	1	1	1	1	1		
8	52425-KRN-671	CASE COMP., DAMPER .....	1	-	-	-	-		
	52425-KRN-731	.....	-	1	1	1	1		



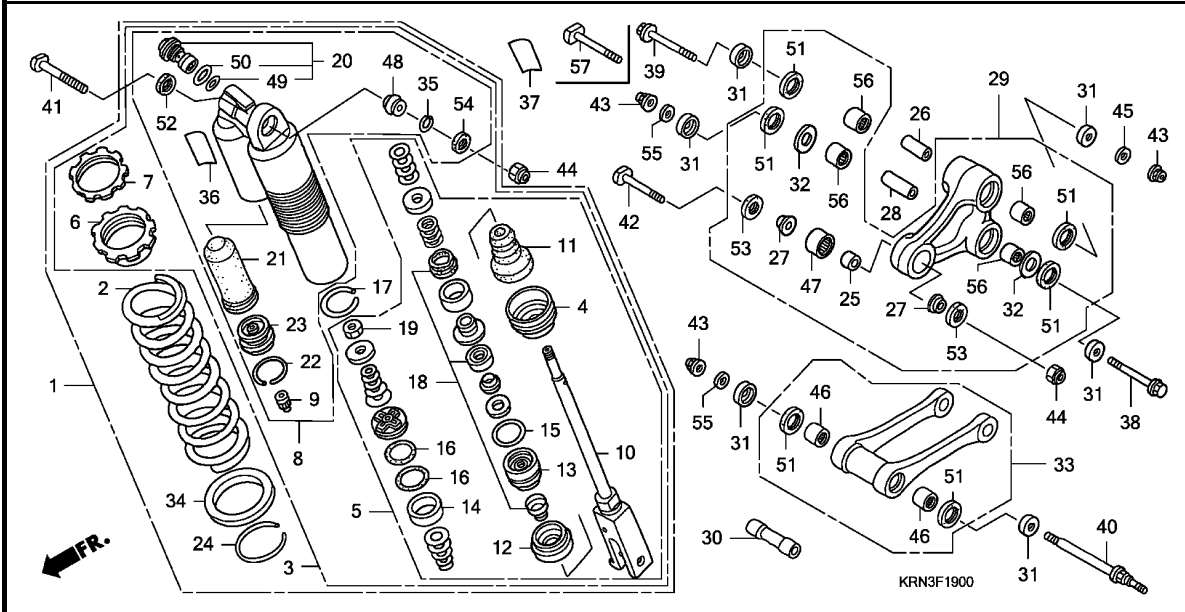
Ref. No.	Part No.	Description	Reqd. QTY					Serial No.	Parts catalogue code
			4	5	6	7	8		
9	52425-381-771	CAP, AIR VALVE .....	1	1	1	1	1		
10	52426-MEN-003	ROD COMP. ....	1	-	-	-	-		
	52426-KRN-711	.....	-	1	1	1	1		
11	52427-MEB-751	RUBBER, STOPPER .....	1	1	1	1	1		
12	52428-KZ3-J31	PLATE, END .....	1	-	-	-	-		
	52428-KRN-711	.....	-	1	1	1	1		
13	52429-KZ3-J41	CASE COMP., ROD GUIDE .....	1	1	1	1	-		
	52429-KRN-D11	.....	-	-	-	-	1	----- ED,U	
14	52431-KZ3-J31	RING, PISTON .....	1	1	1	1	1	----- DE	
15	52434-KZ3-J21	O-RING, 3.5X43.7 .....	1	1	1	1	1		
16	52434-KZ3-J31	O-RING, 42.5X2.0 .....	2	2	2	2	2		
17	52435-KZ3-J21	RING, STOPPER .....	1	1	1	1	1		
18	52436-MEN-671	OIL SEAL SET .....	1	1	1	1	1		
19	52438-KA4-741	NUT, HEX., 12MM .....	1	1	1	1	1		
20	52440-MEN-671	ADJUSTER, COMPRESSION DAMPING FORCE	1	1	1	1	1		
21	52451-KZ3-891	BLADDER .....	1	-	-	-	-		
	52451-KRN-711	.....	-	1	1	1	1		
22	52452-KS7-831	RING, STOPPER .....	1	1	1	1	1		
23	52453-KS7-831	CAP COMP., CHAMBER .....	1	-	-	-	-		
	52453-KRN-711	.....	-	1	1	1	1		
24	52455-KZ3-J21	RING, STOPPER .....	1	1	1	1	1		
25	52463-KZ4-B00	COLLAR D, CUSHION .....	1	-	-	-	-		
	52464-KRN-710	COLLAR D, CUSHION ARM .....	-	1	1	1	1		





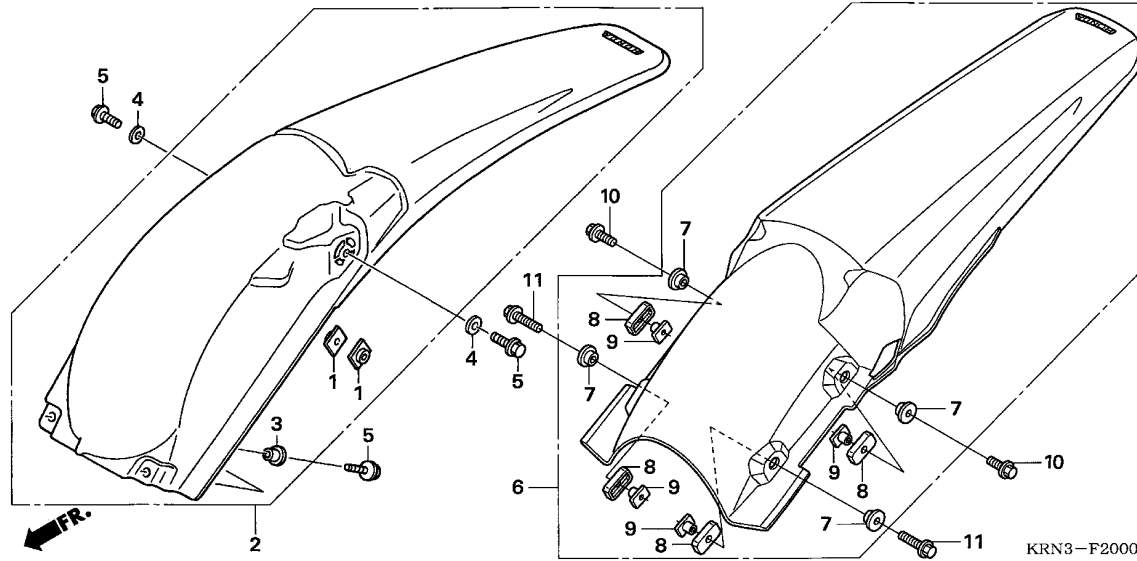
KRN3F1900

Ref. No.	Part No.	Description	Reqd. QTY					Serial No.	Parts catalogue code
			4	5	6	7	8		
26	52463-KZ4-J40	COLLAR C, CUSHION ARM .....	1	1	1	1	1		
27	52464-KZ4-B00	COLLAR D, CUSHION SIDE .....	2	-	-	-	-		
	52466-KRN-710	COLLAR D, CUSHION ARM SIDE ..	-	2	2	2	2		
28	52464-KZ4-J20	COLLAR B, CUSHION .....	1	1	1	1	1		
29	52465-KSK-000	ARM SUB ASSY., CUSHION .....	1	-	-	-	-		
	52465-KRN-710	.....	-	1	1	1	1		
30	52473-KZ4-J20	COLLAR A, CONNECTING ROD ....	1	1	1	1	1		
31	52475-KZ4-J20	COLLAR, LINK SIDE .....	6	6	6	6	6		
32	52476-KZ4-J20	WASHER, THRUST .....	2	2	2	2	2		
33	52479-KSK-000	ROD SUB ASSY., CUSHION CONNECTING	1	-	-	-	-		
	52479-KRN-710	.....	-	1	-	-	-		
	52479-KRN-840	.....	-	-	1	1	1		
34	52486-KZ3-J21	SEAT, SPRING .....	1	1	1	1	1		
35	52487-KA4-831	RING, STOPPER .....	1	1	1	1	1		
36	87516-KZ1-600	LABEL, RR. DAMPER WARNING ...	1	1	1	1	1		
37	87516-KZ1-881	LABEL, RR. DAMPER WARNING (FRENCH)	1	1	1	1	1	-----	DE,ED,ED/A,ED/B
38	90130-KZ4-J20	BOLT, LINK, 12X96 .....	1	1	-	-	-		
	90131-MEN-840	BOLT, LINK, 12X92 .....	-	-	1	1	1		
39	90130-KZ4-J40	BOLT, LINK, 12X81.5 .....	1	1	-	-	-		
40	90131-KZ4-J40	BOLT, LINK, 12X120 .....	1	-	-	-	-		
	90131-KRN-710	.....	-	1	1	1	1		
41	90152-MEB-750	BOLT, CUSHION UPPER, 10X53 ..	1	1	1	1	1		
42	90153-KZ4-710	BOLT, CUSHION LOWER, 10X43.5	1	1	1	1	1		
43	90306-KBP-901	NUT, U, 12MM .....	3	3	3	3	3		



Ref. No.	Part No.	Description	Reqd. QTY					Serial No.	Parts catalogue code
			4	5	6	7	8		
44	90306-KZ4-711	NUT, U, 10MM .....	2	2	2	2	2		
45	90501-KZ4-J40	WASHER, PLAIN, 12MM .....	1	1	1	1	1		
46	91053-KZ4-J21	BEARING, NEEDLE, 20X26X14 ...	2	2	-	-	-		
	91051-KSC-003	BEARING, NEEDLE, 20X26X15 ...	-	-	2	2	2		
47	91074-KZ4-B01	BEARING, NEEDLE, 19X26X15 ...	1	-	-	-	-		
	91074-KRN-711	BEARING, NEEDLE, 19X26X13 ...	-	1	1	1	1		
48	91074-MAC-741	BEARING, SPHERICAL, 10 .....	1	1	1	1	1		
49	91256-KZ3-731	O-RING, 21.5X1.5 .....	1	1	1	1	1		
50	91257-KZ3-891	O-RING, 26.2X1.9 .....	1	1	1	1	1		
51	91262-KZ3-731	DUST SEAL, 25X32X4 .....	6	6	6	6	6		
52	91351-KZ3-731	DUST SEAL, RR. CUSHION PIVOT	1	1	1	1	1		
53	91351-KZ4-B01	DUST SEAL, 17X26X3 .....	2	-	-	-	-		
	91351-KRN-711	DUST SEAL, 17.5X26X3 .....	-	2	2	2	2		
54	91351-MAC-671	DUST SEAL, 16X26X3 .....	1	1	1	1	1		
55	90501-KZ4-J40	WASHER, PLAIN, 12MM .....	2	-	-	-	-		
	90501-KRN-710	.....	-	2	2	2	2		
56	91053-KZ4-J21	BEARING, NEEDLE, 20X26X14 ...	4	-	-	-	-		
	91051-KSC-003	BEARING, NEEDLE, 20X26X15 ...	-	4	4	4	4		
57	90130-MEN-840	BOLT, LINK, 12X82 .....	-	-	1	1	1		

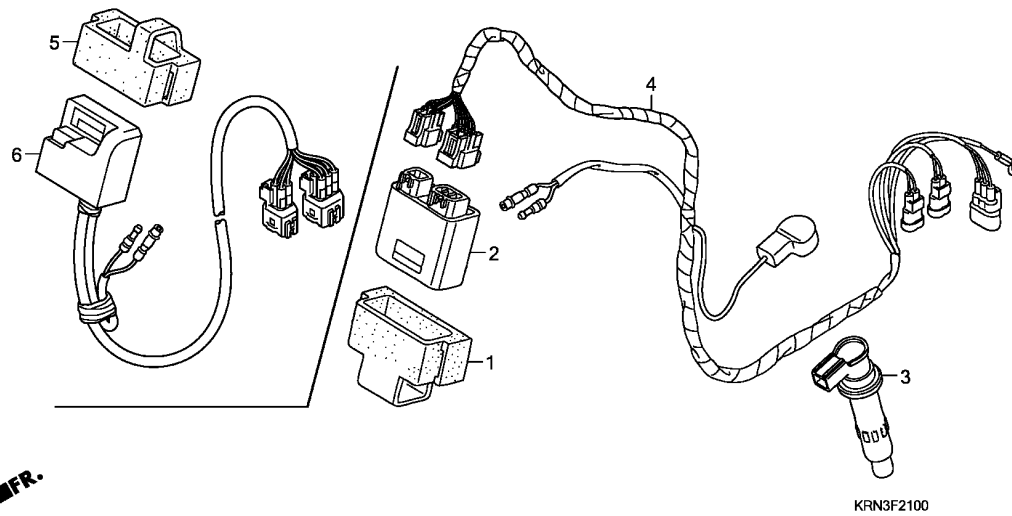




Ref. No.	L.O.N.	(Relative ref. Number) Description	F.R.T.
2	(6)		
413102		FENDER, REAR .....	0.2

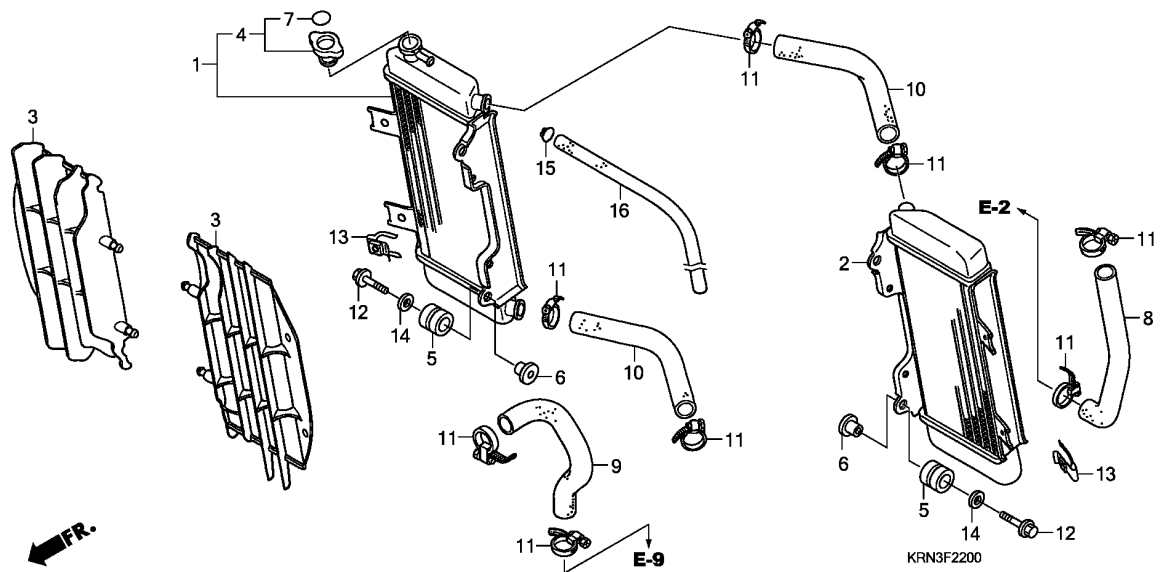
3

Ref. No.	Part No.	Description	Reqd. QTY					Serial No.	Parts catalogue code
			4	5	6	7	8		
1	61304-958-003	NUT, SPECIAL, 6X7 .....	2	2	-	-	-		
2	80101-KRN-000ZB	FENDER SET, RR. (WL) *R292R*.....EXTREME RED	1	-	-	-	-		
	80101-KRN-730ZA	*R292R*.....EXTREME RED	-	1	-	-	-		
3	90503-KRN-000	COLLAR, RR. FENDER .....	2	2	-	-	-		
4	94101-06800	WASHER, PLAIN, 6MM .....	2	2	-	-	-		
5	96001-06016-00	BOLT, FLANGE, 6X16 .....	4	4	-	-	-		
6	80101-KRN-850ZA	FENDER SET, RR. *TYPE1*(WL) -	-	-	1	1	-		
	80101-KRN-A10ZA	.....	-	-	-	-	1		
7	80111-KRN-850	COLLAR, RR. FENDER .....	-	-	4	4	4		
8	80112-KRN-850	HOLDER, RR. FENDER NUT .....	-	-	4	4	4		
9	90301-KRN-850	NUT, RR. FENDER .....	-	-	4	4	4		
10	96001-06016-00	BOLT, FLANGE, 6X16 .....	-	-	2	2	2		
11	96001-06025-00	BOLT, FLANGE, 6X25 .....	-	-	2	2	2		



Ref. No.	L.O.N.	(Relative ref. Number) Description	F.R.T.
2	6141A1	IGNITION CONTROL MODULE .....	0.4
3	6141B8	COIL, DIRECT IGNITION .....	0.5
4	611100	HARNESS, WIRE .....	0.5
	6111L3	HARNESS, WIRE(A) .....	0.2
.NOTE: '08 model			
6	6141A1	IGNITION CONTROL MODULE .....	0.5

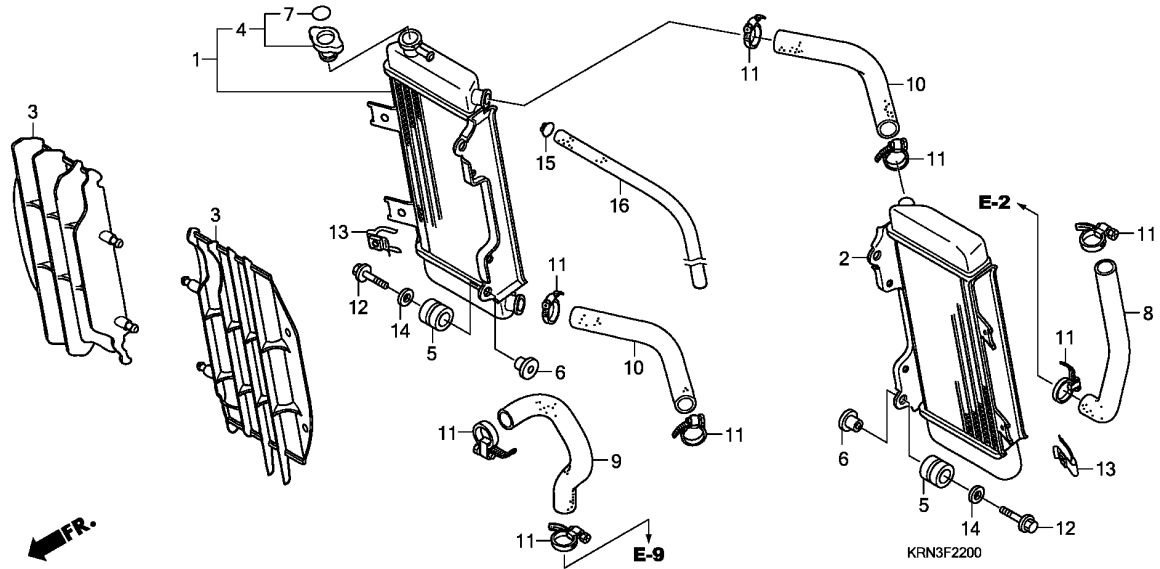
Ref. No.	Part No.	Description	Reqd. QTY					Serial No.	Parts catalogue code
			4	5	6	7	8		
1	30401-KRN-000	CUSHION, C.D.I. UNIT .....	1	1	1	-	-		
	30401-KRN-A00	.....	-	-	-	1	-		
2	30410-KRN-670	C.D.I. UNIT .....	1	-	-	-	-		
	30410-KRN-731	.....	-	1	-	-	-		
	30410-KRN-861	.....	-	-	1	-	-		
	30410-KRN-E01	.....	-	-	-	1	-		
3	30700-KRN-670	CAP ASSY., NOISE SUPPRESSOR ..	1	1	1	1	1		
4	32100-KRN-670	HARNESS, WIRE .....	1	1	1	1	-		
	32100-KRN-A10	.....	-	-	-	-	1		
5	30401-MEN-A10	CUSHION, C.D.I. UNIT .....	-	-	-	-	1		
6	30410-KRN-E11	C.D.I. UNIT .....	-	-	-	-	1		



Ref. No.	L.O.N.	(Relative ref. Number) Description	F.R.T.
1	115102	RADIATOR :RIGHT	0.6
	1151A2	RADIATOR :BOTH	0.8
2	115101	RADIATOR :LEFT	0.6
	1151A2	RADIATOR :BOTH	0.8
3	1151B2	GRILLE, RADIATOR :LEFT	0.1
	1151B3	GRILLE, RADIATOR :RIGHT	0.1
	1151G3	GRILLE, RADIATOR :BOTH	0.1
4	1151B8	CAP, RADIATOR	0.1
8	114130	HOSE A, WATER	0.4
9	114131	HOSE B, WATER	0.4
10	1151J7	HOSE, CROSS WATER :UPPER	0.5
	1151H6	HOSE, CROSS WATER	0.4

3

Ref. No.	Part No.	Description	Reqd. QTY					Serial No.	Parts catalogue code
			4	5	6	7	8		
1	19010-KRN-640	RADIATOR, R.	1	-	-	-	-		
	19010-KRN-731	.....	-	1	-	-	-		
	19010-KRN-851	.....	-	-	1	-	-		
	19010-KRN-A01	.....	-	-	-	1	1		
2	19015-KRN-003	RADIATOR, L.	1	-	-	-	-		
	19015-KRN-731	.....	-	1	-	-	-		
	19015-KRN-851	.....	-	-	1	-	-		
	19015-KRN-A01	.....	-	-	-	1	1		
3	19033-KRN-000	GRILLE, RADIATOR	2	-	-	-	-		
	19033-KRN-010	.....	-	2	-	-	-		
	19033-KRN-850	.....	-	-	2	2	2		
4	19037-KRN-640	CAP COMP., RADIATOR	1	-	-	-	-		
	19037-KRN-641	.....	-	1	1	1	1		
5	19051-KRN-000	RUBBER, RADIATOR MOUNTING	4	4	4	4	4		
6	19052-MAC-680	COLLAR, RADIATOR MOUNTING	4	4	4	4	4		
7	19055-KRN-640	SEAL, RADIATOR CAP	1	-	-	-	-		
	(ENGLISH/FRENCH/JAPANESE)	.....	-	-	-	-	-		
	19055-KRN-641	.....	-	1	1	1	1		
8	19061-KRN-000	HOSE A, WATER	1	1	1	1	1		
9	19062-KRN-000	HOSE B, WATER	1	1	1	1	1		
10	19064-KRN-000	HOSE D, WATER	2	2	2	2	2		
11	19506-KS6-700	CLAMP B, WATER HOSE	8	8	8	8	8		
12	90001-GB4-000	BOLT, FLANGE, 6X23.5	4	4	4	4	4		
13	90303-KRN-000	NUT, CLIP, 6MM	2	2	2	2	2		
14	90403-KA3-830	WASHER, RADIATOR MOUNTING	4	4	4	4	4		
15	95002-02080	CLIP, TUBE (B8)	1	1	1	1	1		



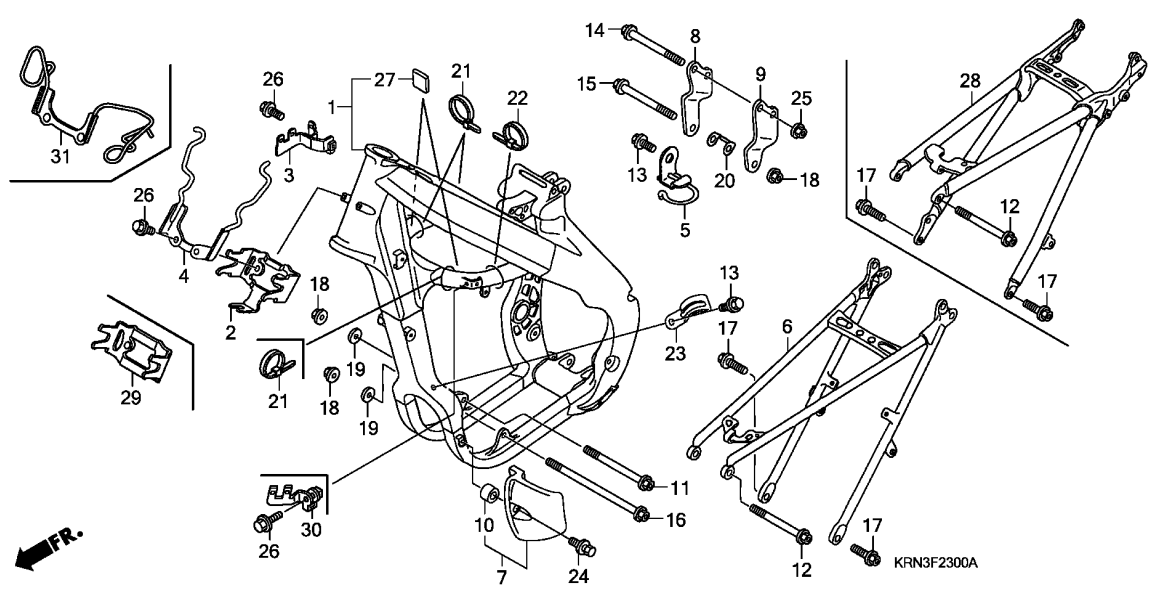
Ref. No.	Part No.	Description	Reqd. QTY					Serial No.	Parts catalogue code
			4	5	6	7	8		
16	95003-14073-10	TUBE, VINYL, 6X9X730 (95003-14001-10M)	1	1	1	1	1		



F-23

FRAME BODY

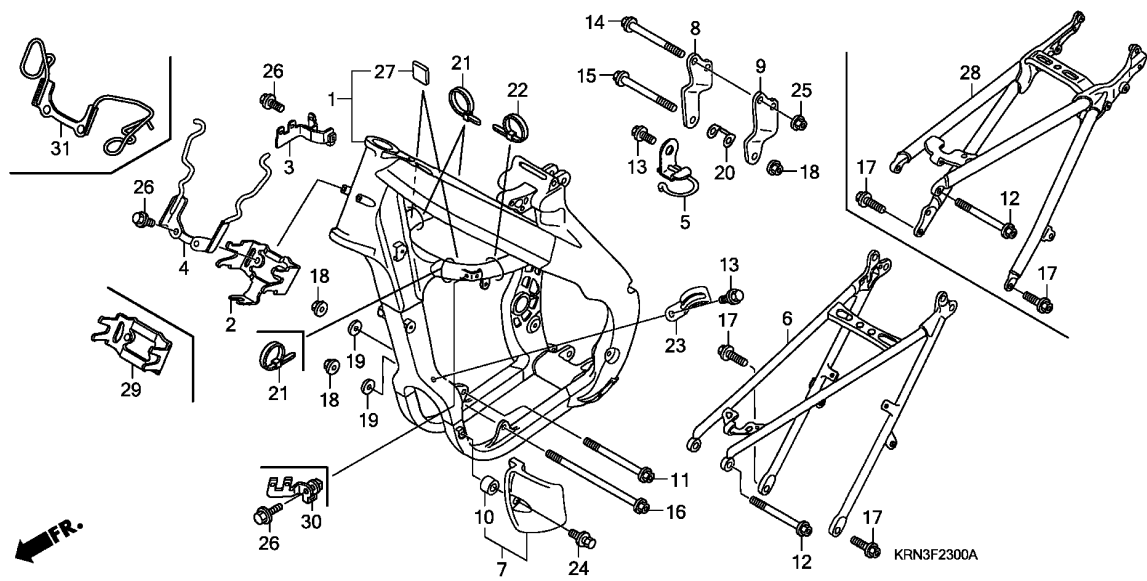
I15



Ref. No.	L.O.N.	(Relative ref. Number) Description	F.R.T.
1	410100	BODY, FRAME ..... .INCLUDES: Engine removal and installation (28)	4.7
6	4101A5	FRAME :REAR .....	0.4
7	4101F5	GUARD, ENGINE :LEFT .....	0.1

3

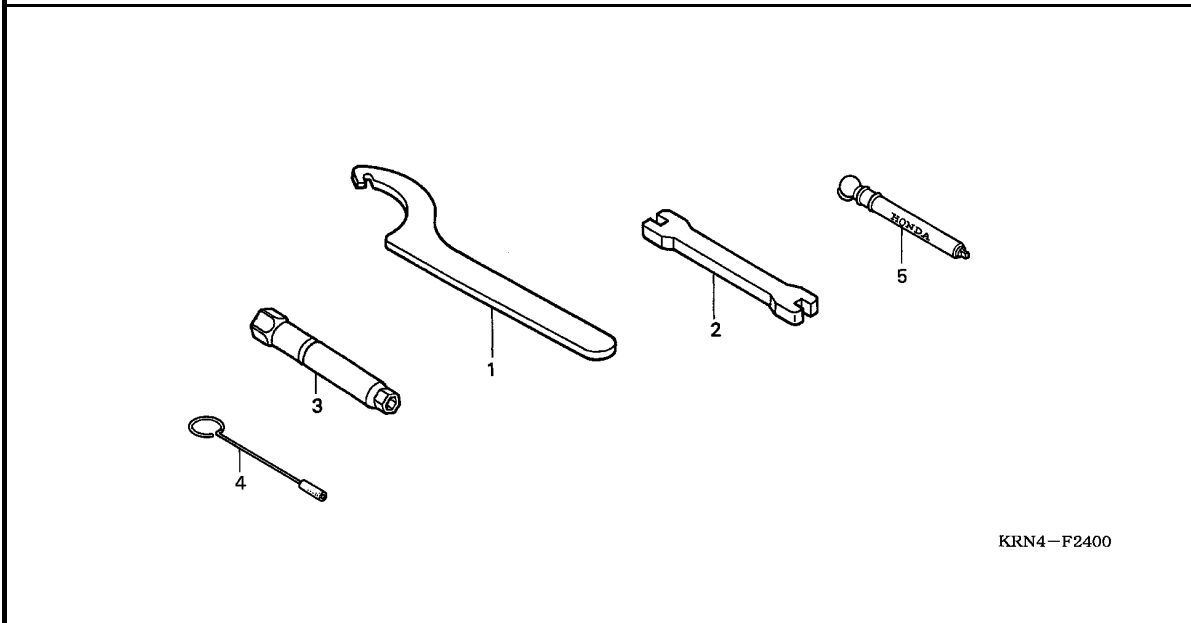
Ref. No.	Part No.	Description	Reqd. QTY					Serial No.	Parts catalogue code
			4	5	6	7	8		
1	50010-KRN-000	BODY SET, FRAME .....	1	-	-	-	-		
	50010-KRN-730	.....	-	1	-	-	-		
	50010-KRN-851	.....	-	-	1	-	-		
	50010-KRN-A00	.....	-	-	-	1	-		
	50010-KRN-A10	.....	-	-	-	-	1		
2	50124-KRN-000	BRACKET, C.D.I. UNIT .....	1	1	1	-	-		
3	50126-KRN-000	STAY, COUPLER .....	1	1	1	1	1		
4	50128-KRN-000	GUIDE, HARNESS .....	1	1	1	1	-		
5	50197-KRN-000	CLIP, FUEL TUBE .....	1	1	1	1	1		
6	50200-KRN-730	BODY COMP., RR. FRAME .....	1	1	-	-	-		
7	50360-KRN-000	GUARD, L. ENGINE .....	1	1	1	1	-		
	50360-KRN-A10	.....	-	-	-	-	1		
8	50407-KRN-000	BRACKET, R. HEAD HANGER .....	1	-	-	-	-		
	50407-KRN-730	.....	-	1	-	-	-		
	50407-KRN-850	.....	-	-	1	1	1		
9	50408-KRN-000	BRACKET, L. HEAD HANGER .....	1	-	-	-	-		
	50408-KRN-730	.....	-	1	-	-	-		
	50408-KRN-851	.....	-	-	1	1	1		
10	52156-353-300	COLLAR, 6X4 .....	1	1	1	1	1		
11	90101-KZ3-J20	BOLT, FLANGE, 10X117 .....	1	1	1	1	1		
12	90105-KRN-000	BOLT, FLANGE, 8X125 .....	1	1	1	1	1		
13	90106-KRN-000	BOLT, FLANGE, 5X12 .....	2	2	2	2	2		
14	90107-KRN-000	BOLT, FLANGE, 8X55 .....	2	2	2	2	2		
15	90109-KRN-000	BOLT, FLANGE, 10X58 .....	1	1	1	1	1		
16	90116-KW3-000	BOLT, FLANGE, 10X138 .....	1	1	1	1	1		
17	90122-KRN-000	BOLT, FLANGE, 10X26 .....	2	2	2	2	2		



Ref. No.	Part No.	Description	Reqd. QTY					Serial No.	Parts catalogue code
			4	5	6	7	8		
18	90302-KZ3-J40	NUT, FLANGE, 10MM .....	3	3	3	3	3		
19	90410-HC4-000	WASHER, 10MM .....	2	2	2	2	2		
20	90511-KRN-000	WASHER, HEAD HANGER PLATE ...	1	1	1	1	1		
21	90651-KV6-003	BAND, WIRE .....	2	2	2	2	3		
22	90652-KT1-771	BAND, WIRE (BLACK) .....	1	1	1	1	1		
23	91404-KRN-000	CLIP, 2X70 .....	1	1	1	1	1		
24	93404-06014-00	BOLT-WASHER, 6X14 .....	1	1	1	1	1		
25	94050-08000	NUT, FLANGE, 8MM .....	2	2	2	2	2		
26	96001-06012-00	BOLT, FLANGE, 6X12 .....	3	3	3	3	4		
27	50283-MR7-300	RUBBER, SEAT RAIL .....	2	2	2	-	-		
	50283-MEN-A00	RUBBER, TANK GUARD .....	-	-	-	2	2		
28	50200-KRN-850	BODY COMP., RR. FRAME .....	-	-	1	1	1		
29	50124-KRN-A00	BRACKET, C.D.I. UNIT .....	-	-	-	1	1		
30	50127-KRN-A10	STAY, L. COUPLER .....	-	-	-	-	1		
31	50128-MEN-A10	GUIDE, HARNESS .....	-	-	-	-	1		







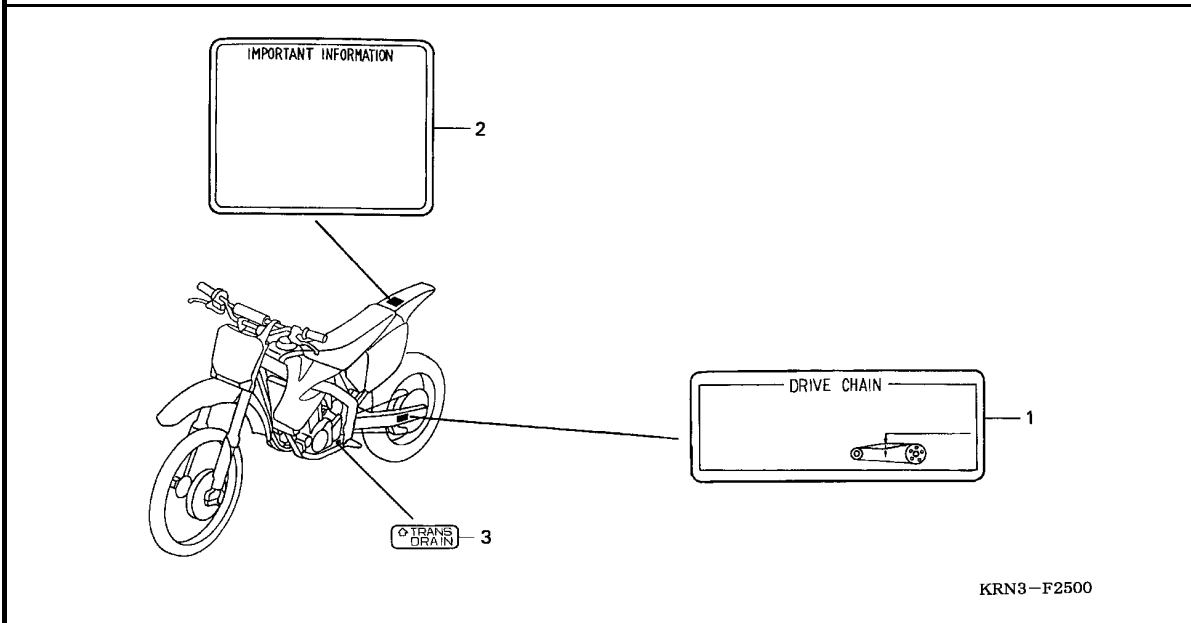
KRN4-F2400

Ref. L.O.N. (Relative ref. Number) F.R.T.  
No. Description

NO INFORMATION .....

3

Ref. No.	Part No.	Description	Reqd. QTY					Serial No.	Parts catalogue code
			4	5	6	7	8		
1	89201-KS6-810	SPANNER A, PIN .....	(2)	(2)	(2)	(2)	(2)		
2	89212-KZ4-J40	WRENCH, NIPPLE .....	1	1	1	1	1		
3	89216-MEB-670	WRENCH, PLUG (16MM) .....	1	-	-	-	-	----- ED,U	
			1	-	-	-	-	4K011414	ED/A
			1	-	-	-	-	4K050514	U/A
	89216-MY9-000	.....	1	-	-	-	-	4K011415	ED/A
			1	-	-	-	-	4K050515	U/A
			-	1	1	1	1		
4	89217-KRN-000	TOOL, CARBURETOR MAINTENANCE	1	1	1	1	1		
5	89301-KA4-811	GAUGE, AIR PRESSURE .....	(1)	(1)	(1)	(1)	(1)		



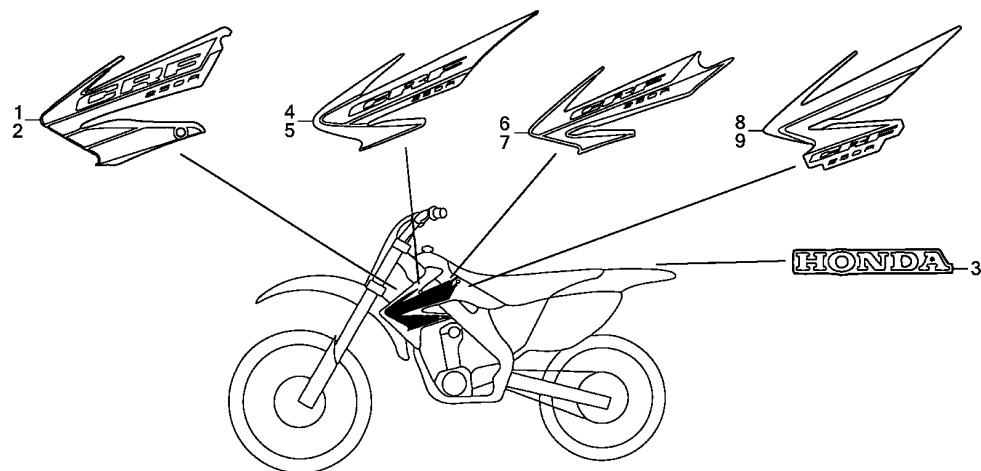
KRN3-F2500

Ref. L.O.N. (Relative ref. Number) F.R.T.  
No. Description

NO INFORMATION .....

Ref. No.	Part No.	Description	Reqd. QTY					Serial No.	Parts catalogue code
			4	5	6	7	8		
1	87507-KZ3-B10	LABEL, DRIVE CHAIN .....	1	1	1	1	1		
	87507-KZ3-B90	LABEL, DRIVE CHAIN (FRENCH) .	1	1	1	1	1	-----	DE,ED,ED/A,ED/B
2	87560-GBF-770	MARK, CAUTION .....	1	1	1	1	1		
	87560-ML3-970	MARK, CAUTION (FRENCH) .....	1	1	1	1	1	-----	DE,ED,ED/A,ED/B
3	87564-KRN-000	LABEL, TRANSMISSION DRAIN ...	1	1	1	1	-		





KRN3F2600

Ref. No.	L.O.N.	(Relative ref. Number)	Description	F.R.T.
----------	--------	------------------------	-------------	--------

NO INFORMATION .....

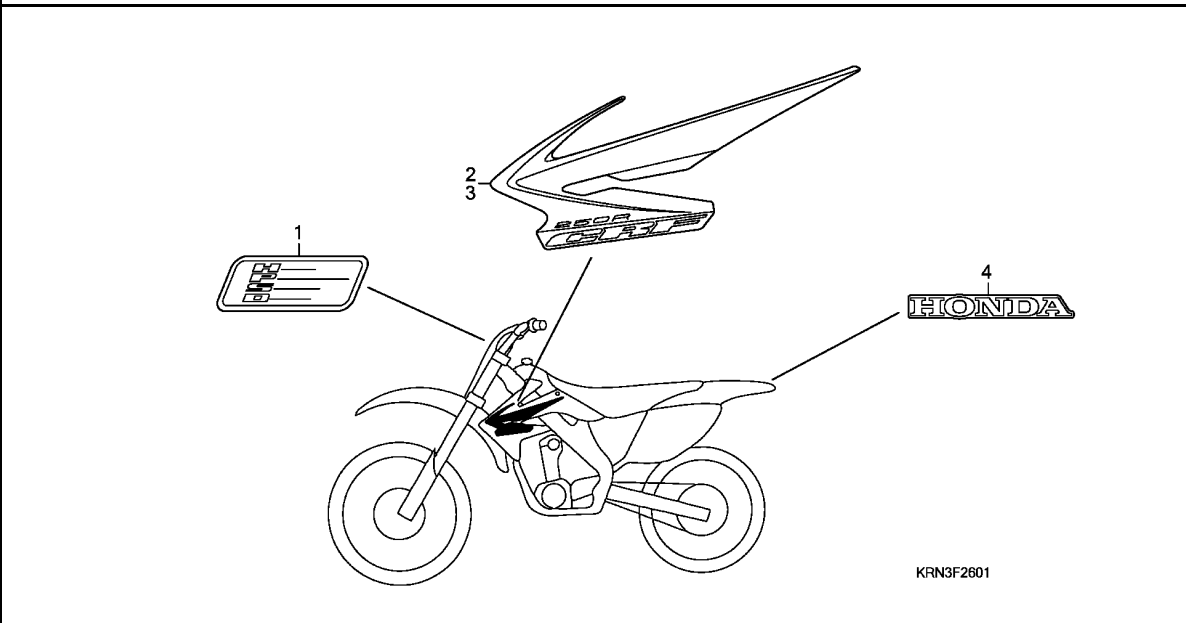
3

Ref. No.	Part No.	Description	Reqd. QTY					Serial No.	Parts catalogue code
			4	5	6	7	8		
1	87126-KRN-000ZA	MARK, R. RADIATOR SHROUD							
		*TYPE1*	1	-	-	-	-		
2	87127-KRN-000ZA	MARK, L. RADIATOR SHROUD							
		*TYPE1*	1	-	-	-	-		
3	87130-MBN-830ZA	MARK *TYPE1*(HONDA) .....	1	1	1	1	-		
4	87126-KRN-730ZA	MARK, R. RADIATOR SHROUD							
		*TYPE1*	-	1	-	-	-		
5	87127-KRN-730ZA	MARK, L. RADIATOR SHROUD							
		*TYPE1*	-	1	-	-	-		
6	87126-KRN-850ZA	MARK, R. RADIATOR SHROUD							
		*TYPE1*	-	-	1	-	-		
7	87127-KRN-850ZA	MARK, L. RADIATOR SHROUD							
		*TYPE1*	-	-	1	-	-		
8	87126-KRN-A00ZA	MARK, R. RADIATOR SHROUD							
		*TYPE1*	-	-	-	1	-		
9	87127-KRN-A00ZA	MARK, L. RADIATOR SHROUD							
		*TYPE1*	-	-	-	1	-		

F-26-1

MARK(CRF250R8)

J 4



Ref. No.	L.O.N.	(Relative ref. Number)	Description	F.R.T.
NO INFORMATION .....				

Ref. No.	Part No.	Description	Reqd. QTY					Serial No.	Parts catalogue code
			4	5	6	7	8		
1	61139-MEN-A10ZA	MARK, STEERING DAMPER *TYPE1*	-	-	-	-	-	1	
2	87126-KRN-A10ZA	MARK, R. RADIATOR SHROUD *TYPE1*	-	-	-	-	-	1	
3	87127-KRN-A10ZA	MARK, L. RADIATOR SHROUD *TYPE1*	-	-	-	-	-	1	
4	87130-MBN-830ZA	MARK *TYPE1*(HONDA) .....	-	-	-	-	-	1	

3



# PART NO. INDEX

**K 2**

Part Number	Address	Page	Ref.	Part Number	Address	Page	Ref.	Part Number	Address	Page	Ref.	Part Number	Address	Page	Ref.
15421-KK0-000	E3	42	6	16088-KRN-A01	F2	57	50	16204-KRN-851	E16	55	35				
15611-KA4-710	D11	34	6	16100-KRN-671	E15	54	21		F3	58	3	16997-467-000	H10	87	3
15650-KRN-670	D16	39	7	16100-KRN-734	E15	54	21	16204-KRN-A01	E16	55	35				
15707-634-000	H8	85	23	16100-KRN-861	E15	54	21		F4	59	3				
	H10	87	1	16100-KRN-E02	E15	54	21	16204-KRN-E01	E16	55	35				
15771-551-000	H8	85	1	16100-KRN-E12	E15	54	21		F4	59	3	17212-MEN-670	H8	85	3
	H10	87	2	16112-HP1-A01	E15	54	22	16204-KRN-E12	E16	55	35				
				16112-MEB-671	E15	54	22		F4	59	3	17213-KRN-850	H10	87	5
				16112-MEY-A11	E15	54	22	16204-MEN-671	E16	55	35	17213-MEB-770	H8	85	4
16000				16157-MEN-671	E15	54	23		F3	58	3	17214-MEN-670	H8	85	5
				16157-MEN-A01	E15	54	23	16205-KRN-851	E16	55	35				
16010-KRN-671	E14	53	1	16163-MEB-671	E15	54	24		F3	58	3	17217-MEB-770	H8	85	6
16010-KSC-671	F2	57	44		F3	58	2	16205-KRN-A01	E16	55	35				
16011-KZ3-J11	E14	53	2	16165-KRN-A01	E15	54	25		F4	59	3	17218-KRN-000	H8	85	7
16011-MEN-851	E14	53	2	16165-MEB-671	E15	54	25	16205-KRN-E01	E16	55	35	17218-KRN-850	H10	87	8
16013-KRN-851	E14	53	3	16165-MEN-851	E15	54	25		F4	59	3	17230-KRN-850	H10	87	9
16013-MEB-671	E14	53	3	16165-MEN-A01	E15	54	25	16205-KRN-E12	E16	55	35	17250-KRN-000	H8	85	8
16014-KRN-671	E14	53	4	16172-MEB-671	E15	54	26		F4	59	3	17250-KRN-730	H8	85	8
16014-KRN-731	E14	53	4	16177-MEB-671	E15	54	27	16205-MEN-671	E16	55	35	17250-KRN-850	H10	87	10
16014-KRN-A01	F2	57	51	16178-548-004	F2	57	49		F3	58	3	17250-KRN-A10	H11	88	28
16015-KRN-731	E14	53	5	16178-MEB-671	E16	55	28	16211-KRN-670	D2	25	5	17253-KRN-000	H8	85	9
16015-KRN-851	F2	57	45	16178-MEN-851	E16	55	29	16211-KRN-850	D2	25	5	17253-KRN-850	H10	87	11
16015-KRN-A01	F2	57	45	16179-KZ4-690	E16	55	29	16218-MCJ-000	D2	25	6	17291-MEB-670	H8	85	10
16015-MEN-671	E14	53	5	16185-KRN-851	E16	55	30	16222-MV4-300	D2	25	7				
16016-KRN-A01	E14	53	6	16185-MEN-671	E16	55	30	16229-KRN-731	E16	55	35	17358-KRN-000	H8	85	11
16016-KSC-671	E14	53	6	16196-MEB-671	E16	55	31		F3	58	3				
16016-MEB-671	E14	53	6	16196-MEN-851	E16	55	31	16230-KRN-851	E16	55	35	17359-MAG-L00	H8	85	12
16018-MEB-671	E14	53	7	16197-MEB-671	E16	55	32		F3	58	3				
16018-MEY-A11	E14	53	7	16198-MEB-671	E16	55	33	16230-KRN-E12	E16	55	35	17370-419-700	H8	85	13
16019-MEB-671	E14	53	8	16199-MEB-671	E16	55	34		F4	59	3				
16020-KRN-671	F3	58	1	16201-KRN-731	E16	55	35	16230-MEN-671	E16	55	35	17372-KRN-000	H8	85	14
16020-KRN-732	F3	58	1		F3	58	3		F3	58	3				
16020-KRN-861	F3	58	1	16201-KRN-851	E16	55	35	16231-KRN-851	E16	55	35	17374-KRN-000	H8	85	15
16020-KRN-E01	F3	58	1		F3	58	3		F3	58	3				
16020-KRN-E12	F3	58	1	16201-KRN-A01	E16	55	35	16231-KRN-E11	E16	55	35	17375-KRN-000	H8	85	16
16021-KRN-671	E14	53	9		F3	58	3		F4	59	3				
16021-KRN-731	E14	53	9	16201-KRN-E01	E16	55	35	16231-MEN-671	E16	55	35	17375-KRN-A10	H10	87	18
16021-KRN-851	E14	53	9		F4	59	3		F3	58	3	17509-KZ3-B00	H5	82	4
16021-MEN-A01	E14	53	9	16201-KRN-E12	E16	55	35	16232-KRN-851	E16	55	35	17510-KRN-000	H5	82	5
16022-KRN-851	F2	57	47		F4	59	3		F3	58	3	17510-KRN-730	H5	82	5
16023-KRN-851	F2	57	47	16201-MEN-671	E16	55	35	16232-KRN-E11	E16	55	35	17512-KRN-000	H5	82	6
16028-MEB-671	E14	53	10		F3	58	3		F4	59	3	17512-KRN-010	H5	82	6
16028-MEN-A01	E14	53	10	16202-KRN-851	E16	55	35	16232-MEN-671	E16	55	35	17515-KRN-000	H5	82	7
16029-MEB-671	E14	53	11		F3	58	3		F3	58	3	17516-KZ3-B00	H5	82	8
16029-MEY-A11	E14	53	11	16202-KRN-A01	E16	55	35	16233-KRN-851	E16	55	35	17518-KZ4-710	H5	82	9
16032-KRN-A11	E14	53	12		F3	58	3		F3	58	3	17521-KZ4-J20	H5	82	10
16032-MEB-671	E14	53	12	16202-KRN-E01	E16	55	35	16233-KRN-E11	E16	55	35	17620-MEB-670	H5	82	11
16032-MEN-A01	E14	53	12		F4	59	3		F4	59	3	17624-KT1-780	H5	82	12
16033-MEB-671	E14	53	13	16202-KRN-E12	E16	55	35	16233-MEN-671	E16	55	35	17681-KRN-000	H5	82	13
16033-MEN-A01	E15	54	13		F4	59	3		F3	58	3	17684-KRN-000	H5	82	14
16037-MEB-671	E15	54	14	16202-MEN-671	E16	55	35	16234-KRN-851	E16	55	35	17724-102-700	H8	85	17
16038-KRN-671	E15	54	15		F3	58	3		F3	58	3				
16046-MEB-671	E15	54	16	16203-KRN-851	E16	55	35	16234-KRN-E11	E16	55	35	17900-KRN-A00	G2	63	31
16060-KRN-671	E15	54	17	16203-KRN-A01	E16	55	35		F4	59	3	17910-KRN-000	G1	62	1
16075-KRN-851	F2	57	48		F4	59	3	16234-MEN-671	E16	55	35	17913-KB7-000	G1	62	2
16076-ND5-004	F2	57	46	16203-KRN-E01	E16	55	35		F3	58	3	17920-KRN-000	G1	62	3
16080-HP1-601	E15	54	18		E16	55	35	16950-KRN-003	H5	82	1	17950-KRN-000	G1	62	4
16080-MEB-671	E15	54	18	16203-KRN-E12	E16	55	35	16955-MEB-671	H5	82	2	17950-MEN-A10	G1	62	4
16081-KRN-671	E15	54	19		F3	58	3	16959-MY1-000	H8	85	2				
16083-MEB-671	E15	54	20												

4

# PART NO. INDEX

K 3

Part Number	Address	Page	Ref.	Part Number	Address	Page	Ref.	Part Number	Address	Page	Ref.	Part Number	Address	Page	Ref.
18353-KRN-860	H14	91	13	19071-KRN-A10ZA	H6	83	16	23210-KRN-A10	E8	47	1	24652-HA0-000	E12	51	20
18353-KRN-E00	H16	93	14	19072-KRN-000ZA	H6	83	17	23221-KRN-670	E8	47	2	24700-KRN-000	I2	95	1
18353-KRN-E10	H16	93	14	19072-KRN-730ZA	H6	83	17	23221-KRN-730	E8	47	2				
18354-KRN-850	H14	91	14	19072-KRN-850ZA	H6	83	17	23221-KRN-A00	E8	47	2	41000			
18354-KRN-A00	H16	93	15	19072-KRN-A00ZA	H6	83	17	23221-KRN-A10	E8	47	2	28000			
18354-KRN-E10	H16	93	15	19072-KRN-A10ZA	H6	83	17	23225-KSC-670	E8	47	3	28210-KRN-670	E13	52	2
18355-KRN-861	H14	91	15	19215-KRN-670	D15	38	1	23225-KSR-A00	E8	47	3	28230-KRN-670	E13	52	3
	H16	93	16	19215-KRN-A00	D15	38	1	23411-KRN-670	E8	47	4	28237-KZ4-A10	D12	35	12
18355-KRN-E10	I1	94	16	19221-KRN-670	D15	38	2	23413-KZ4-J00	E8	47	5	28241-KA3-710	E13	52	4
18374-MG7-701	H12	89	12	19221-KRN-A00	D15	38	2	23421-KRN-670	E8	47	6	28242-KA3-710	E13	52	5
	H13	90	12	19226-KRN-670	D15	38	3	23431-KRN-670	E8	47	7	28251-KZ4-000	E13	52	6
	H14	91	16		F6	61	1	23432-KRN-730	E8	47	8	42000			
	I1	94	17	19240-KRN-670	D15	38	4	23432-KSR-A00	E8	47	8	28261-KA3-710	E13	52	7
18374-MLO-000	H14	91	17	19245-KRN-670	E7	46	3	23441-KRN-670	E8	47	9	28262-KS6-701	E13	52	8
	I1	94	18	19245-KRN-671	E7	46	3	23441-KRN-A00	E8	47	9	28282-KZ4-B00	E13	52	9
18374-ML4-003	H14	91	18	19506-KS6-700	I13	106	11	23451-KRN-670	E8	47	10	28300-KRN-000	I2	95	2
	I1	94	19	19508-KA3-710	H12	89	14	23452-KRN-670	E8	47	11	28302-KRN-000	I2	95	3
18380-KRN-860	H14	91	19		H13	90	14	23452-KSC-670	E8	47	11	28306-MEN-670	I2	95	4
18380-KRN-E00	I1	94	20		H14	91	24	23461-KRN-670	E8	47	12	28333-KK0-000	I2	95	5
18380-KRN-E10	I1	94	20		I1	94	25	23462-KZ4-J00	E8	47	13	30000			
18391-ML8-000	H14	91	20	19509-MM5-003	H13	90	15	23471-KRN-670	E8	47	14	30401-KRN-000	I12	105	1
	I1	94	21		H14	91	25	23472-KZ4-000	E8	47	15	30401-KRN-A00	I12	105	1
18392-HA7-710	H14	91	21		I1	94	26	23481-KRN-670	E9	48	16	30401-KRN-A10	I12	105	5
	I1	94	22	19523-KRN-730	D2	25	8	23491-KRN-670	E9	48	17	30410-KRN-670	I12	105	2
18392-MK4-000	H12	89	13	19523-MEB-670	D2	25	8	23491-KRN-A00	E9	48	17	30410-KRN-670	I12	105	2
	H13	90	13					23801-KSR-A00	E9	48	18	30410-KRN-731	I12	105	2
	H14	91	22	22000				23802-KSC-670	E10	49	39	30410-KRN-861	I12	105	2
	I1	94	23					23810-KRN-670	D16	39	9	30410-KRN-E01	I12	105	2
18410-KRN-861	H14	91	23	22100-KRN-670	D12	35	3	23812-KRN-670	D16	39	10	30410-KRN-E11	I12	105	6
18410-KRN-E00	I1	94	24	22100-KRN-A00	D12	35	3					30700-KRN-670	I12	105	3
18410-KRN-E10	I1	94	24	22120-KRN-A00	D12	35	4	24000							
18601-MBW-003	E3	42	7	22120-KZ4-A90	D12	35	4					31000			
				22125-435-000	D13	36	23	24211-KRN-670	E11	50	1	31110-KRN-670	E2	41	9
19000				22201-KRN-670	D12	35	5	24211-KRN-730	E11	50	1	31120-KRN-670	E2	41	2
					D13	36	24	24221-KRN-670	E11	50	2	31911-KRN-731	D2	25	9
19010-KRN-640	I13	106	1	22201-KRN-A10	D12	35	5	24221-KRN-730	E11	50	2	31911-KBW-E11	D2	25	9
19010-KRN-731	I13	106	1	22202-KSC-670	D13	36	24	24231-KRN-670	E11	50	3	31912-KRN-731	D2	25	9
19010-KRN-851	I13	106	1	22321-KF0-770	D12	35	6	24231-KRN-730	E11	50	3	31912-MBW-E11	D2	25	9
19010-KRN-A01	I13	106	1	22351-KRN-A10	D12	35	7	24241-KSC-670	E11	50	4	31921-MBW-E12	D2	25	9
19015-KRN-003	I13	106	2	22351-KZ4-A90	D12	35	7	24241-MEN-670	E11	50	4	31922-MBW-E12	D2	25	9
19015-KRN-731	I13	106	2	22352-KRN-670	D12	35	8	24242-KSC-670	E11	50	5	32000			
19015-KRN-851	I13	106	2	22401-KRN-730	D12	35	9	24265-KA3-760	E11	50	5	32100-KRN-670	I12	105	4
19015-KRN-A01	I13	106	2	22401-KRN-A10	D12	35	9	24311-KRN-670	E11	50	6	32100-KRN-A10	I12	105	4
19033-KRN-000	I13	106	3	22401-KZ4-A90	D12	35	9	24311-KRN-A00	E11	50	6	32112-KRN-670	E2	41	3
19033-KRN-010	I13	106	3	22402-435-000	D13	36	25	24311-KSC-670	E11	50	6	32171-GF9-621	G2	63	30
19033-KRN-850	I13	106	3	22810-KRN-670	E3	42	8	24312-KA3-741	E11	50	7				
19037-KRN-640	I13	106	4	22810-KRN-730	E3	42	8	24315-HA0-000	E11	50	8	35000			
19037-KRN-641	I13	106	4	22813-KRN-670	E3	42	9	24321-KZ4-620	E11	50	9	35130-MEB-670	G1	62	6
19051-KRN-000	I13	106	5	22838-KRN-670	D16	39	8	24322-MM4-000	E11	50	10	40000			
19052-MAC-680	I13	106	6	22850-KZ4-A90	D12	35	10	24324-KA3-711	E11	50	11	40530-KRN-A12	I4	97	1
19055-KRN-640	I13	106	7	22870-KRN-000	G1	62	5	24325-KA3-711	E11	50	12	40530-KZ3-J31	I4	97	1
19055-KRN-641	I13	106	7	22870-KRN-A10	G1	62	5	24326-KBH-901	E11	50	13	40531-KRN-A12	I4	97	2
19061-KRN-000	I13	106	8					24328-KRN-670	E11	50	14	40531-KZ4-J31	I4	97	2
19062-KRN-000	I13	106	9	23000				24329-KA3-740	E11	50	15				
19064-KRN-000	I13	106	10					24430-KA3-740	E11	50	16	43353-461-771	G13	74	3
19071-KRN-000ZA	H5	82	16	23121-KRN-670	D12	35	11	24435-KZ4-690	E11	50	17	43355-568-003	G16	77	11
19071-KRN-730ZA	H5	82	16	23121-KRN-A00	D12	35	11	24610-KRN-670	E11	50	18	43355-MEN-A10	H4	81	32
19071-KRN-850ZA	H5	82	16	23210-KRN-670	E8	47	1	24610-KRN-730	E12	51	18	43352-568-003	G13	74	2
19071-KRN-A00ZA	H5	82	16	23210-KRN-A00	E8	47	1	24651-MEB-670	E12	51	19	43352-568-003	G16	77	12
												43468-KZ3-B00	I4	97	3
												43500-KZ4-J42	H1	78	2
												43500-KZ4-J43	H1	78	2
												43504-MB2-006	H1	78	3

4

# PART NO. INDEX

**K 4**

Part Number	Address	Page	Ref.	Part Number	Address	Page	Ref.	Part Number	Address	Page	Ref.	Part Number	Address	Page	Ref.
43513-KZ4-J41	H1	78	4	45461-MEN-000	G10	71	1	50603-KZ4-J40	I3	96	3	51480-KRN-D11	G11	72	19
43514-KS6-701	H9	86	26	45462-MEN-000	G10	71	2	50610-MEN-670	I3	96	4	51480-KRN-J01	G11	72	19
	H10	87	20	45468-KS7-830	G6	67	1	50610-MEN-670	I3	96	4	51490-MEN-003	G12	73	20
43520-KZ4-J42	H1	78	5		G7	68	1	50611-MEN-670	I3	96	5	51520-KRN-711	G12	73	21
43520-KZ4-J43	H1	78	5	45504-KN5-006	G3	64	2	50611-MEN-671	I3	96	5	51520-KRN-A11	G12	73	21
43521-KZ4-J41	H1	78	6	45504-MEN-J01	G4	65	22	50616-MEN-670	I3	96	6	51520-KSC-A01	G12	73	21
43522-KZ4-J41	H1	78	7	45510-KCE-671	G3	64	3	50617-KZ4-J40	I3	96	7	51520-KSK-003	G12	73	21
43530-KZ4-J41	H1	78	8	45510-MEN-J01	G3	64	3	50618-KZ4-J40	I3	96	8	51580-KRN-003	G12	73	22
				45513-KCE-671	G3	64	4	50642-MEN-670	I3	96	9	51580-KRN-711	G12	73	22
44000				45517-GW0-751	G3	64	5					51580-KRN-841	G12	73	22
				45518-KA3-731	G3	64	6	51000				51580-KRN-A11	G12	73	22
44301-MEN-000	G14	75	3	45518-MEN-J01	G3	64	6					51580-KRN-D11	G12	73	22
44311-KZ4-J40	G14	75	4	45520-KA3-731	G3	64	7	51401-KRN-003	G10	71	3	51580-KRN-J01	G12	73	22
44312-MEN-000	G14	75	5	45523-KA3-731	G3	64	8	51401-KRN-A11	G10	71	3	51610-MEN-000ZA	G12	73	23
44620-MAC-680	G14	75	6	45523-MEB-003	G3	64	9	51401-KZ3-J21	G10	71	3	51614-KZ4-J40ZA	G15	76	15
44635-MAC-680	G14	75	7	45525-MEN-J01	G4	65	23	51401-MEB-003	G10	71	3	51614-KZ4-J41ZA	G15	76	15
44635-MEN-840	G14	75	7	45530-KCE-671	G3	64	10	51402-KRN-A11	G10	71	3	51620-MEN-000ZA	G12	73	24
44650-KZ3-810	G14	75	8	45530-MEN-J01	G3	64	10	51402-MEB-751	G10	71	3				
44650-MEN-000	G14	75	8					51403-KRN-A11	G10	71	3	52000			
44650-MEN-840	G14	75	8	46000				51410-MEN-003	G10	71	4				
44650-MEN-A10	G14	75	8					51410-MEN-841	G10	71	4	52101-KZ4-J40	I4	97	4
44701-KZ3-811	G14	75	9	46182-500-013	H1	78	9	51410-MEN-A11	G10	71	4	52141-KZ3-J40	I4	97	5
44701-MEN-003	G14	75	9	46182-MEL-D21	H2	79	9	51412-KRN-711	G10	71	5	52141-KZ4-J40	I4	97	6
44701-MEN-A11	G14	75	9	46504-KZ4-J41	H2	79	10	51412-KZ3-B01	G10	71	5	52143-KZ3-860	I4	97	7
44711-KZ4-811	G14	75	10	46510-KRN-000	I2	95	6	51414-KZ3-B01	G10	71	6	52143-KZ4-J40	I4	97	8
44711-MEB-771	G14	75	10	46511-KZ4-J00	I2	95	7	51415-KZ3-B01	G10	71	7	52146-KRN-710	I4	97	9
44711-MEN-004	G14	75	10	46513-KRN-000	I2	95	8	51420-KRN-711	G10	71	8	52146-KRN-711	I4	97	9
44711-MEN-J01	G14	75	10	46513-KRN-730	I2	95	8	51420-KRN-A11	G10	71	8	52146-MEN-000	I4	97	9
44712-300-004	H4	81	14	46515-MN1-670	I2	95	17	51420-KSC-A01	G10	71	8	52146-MEN-J00	I6	99	36
44712-400-004	G15	76	11	46525-KK0-003	I2	95	9	51420-KSK-003	G10	71	8	52147-KRN-710	I4	97	11
44712-KZ4-811	G15	76	11					51430-KRN-711	G10	71	9	52147-MEN-J00	I5	98	11
44712-MEB-771	G15	76	11	50000				51430-KRN-841	G11	72	9	52148-MEN-000	I4	97	10
44713-300-004	H4	81	15					51430-MEN-003	G10	71	9	52156-353-300	I15	108	10
44713-KS6-641	G15	76	12	50010-KRN-000	I15	108	1	51430-MEN-A11	G11	72	9	52156-ML3-910	I4	97	11
44713-KZ4-811	G15	76	12	50010-KRN-730	I15	108	1	51430-MEN-D11	G11	72	9	52160-MEN-000	I5	98	12
44713-MEB-771	G15	76	12	50010-KRN-851	I15	108	1	51431-KZ3-B01	G11	72	10	52170-KRN-710	I5	98	13
44715-MA0-770	G15	76	13	50010-KRN-A00	I15	108	1	51431-MEN-D11	G11	72	10	52170-MEB-750	I5	98	13
				50010-KRN-A10	I15	108	1	51437-KZ3-J41	G11	72	11	52171-KR6-000	I5	98	14
45000				50124-KRN-000	I15	108	2	51437-MEN-A11	G11	72	11	52175-MEN-000	I5	98	15
				50124-KRN-A00	I16	109	29	51440-KRN-711	G11	72	12	52176-KRN-710	I5	98	16
45105-MY6-405	G13	74	4	50126-KRN-000	I15	108	3	51440-MEN-003	G11	72	12	52176-KZ3-J40	I5	98	16
45105-MY6-415	G13	74	4	50127-KRN-A10	I16	109	30	51447-KZ3-003	G11	72	13	52200-KRN-710	I5	98	17
45107-KZ4-J31	G13	74	5	50128-KRN-000	I15	108	4	51450-KRN-003	G11	72	14	52200-KRN-840	I5	98	17
45107-MCT-006	G16	77	13	50128-MEN-A10	I16	109	31	51450-KRN-711	G11	72	14	52200-KRN-A10	I5	98	17
45108-MY1-006	G13	74	6	50197-KRN-000	I15	108	5	51450-KRN-841	G11	72	14	52200-KRN-J00	I5	98	17
45111-MAJ-G41	G16	77	14	50200-KRN-730	I15	108	6	51450-KRN-A11	G12	73	35	52200-KSK-000	I5	98	17
45112-KS6-701	G13	74	7	50200-KRN-850	I16	109	28	51450-KRN-D11	G12	73	35	52400-KRN-671	I7	100	1
45125-MEN-003	G3	64	1	50283-MEN-A00	I16	109	27	51450-KRN-J01	G11	72	14	52400-KRN-731	I7	100	1
45131-HA5-672	G13	74	8	50283-MR7-300	I16	109	27	51451-KZ3-B01	G11	72	15	52400-KRN-851	I7	100	1
45132-166-016	G13	74	9	50360-KRN-000	I15	108	7	51451-MEN-A11	G11	72	15	52400-KRN-A11	I7	100	1
				50360-KRN-A10	I15	108	7	51453-KZ3-B01	G11	72	16	52400-KRN-D11	I7	100	1
45133-MA3-006	G13	74	10	50407-KRN-000	I15	108	8	51453-MEN-A11	G12	73	36	52401-KZ3-J51	I7	100	2
				50407-KRN-730	I15	108	8	51456-KZ3-J41	G11	72	17	52401-MEB-751	I7	100	2
45150-MEN-006	G13	74	11	50407-KRN-850	I15	108	8	51476-KZ3-711	G11	72	18	52402-MEB-751	I7	100	2
45190-MEN-006	G13	74	12	50408-KRN-000	I15	108	9	51476-MEY-003	G11	72	18	52403-MEB-751	I7	100	2
45203-MG3-016	G13	74	13	50408-KRN-730	I15	108	9	51480-KRN-003	G11	72	19	52410-KRN-671	I7	100	3
45215-HA5-672	G13	74	14	50408-KRN-851	I15	108	9	51480-KRN-711	G11	72	19	52410-KRN-731	I7	100	3
45351-KZ4-J30	G15	76	14	50500-KA3-820	I3	96	1	51480-KRN-841	G11	72	19	52410-KRN-851	I7	100	3
45351-MEN-A10	G15	76	24	50530-KZ4-J40	I3	96	2	51480-KRN-A11	G11	72	19	52410-KRN-A11	I7	100	3
												53000			
												53100-MEN-670	G5	66	1
												53121-MEN-670	G5	66	2
												53121-MEN-671	G5	66	2
												53132-KA3-831	G5	66	3
												53132-KZ4-J20	G5	66	3
												53133-KA3-832	G5	66	4
												53140-MEB-671	G1	62	7

4





# PART NO. INDEX

K 6

Part Number	Address	Page	Ref.	Part Number	Address	Page	Ref.	Part Number	Address	Page	Ref.	Part Number	Address	Page	Ref.			
90501-KSC-670	E10	49	40	91006-KRN-851	E10	49	41					I1	94	32	96001-06018-00	H6	83	27
90501-KZ4-J20	H6	83	21	91006-KRN-A01	E10	49	41	91305-KF0-003	D11	34	11	I16	109	25	96001-06018-07	G2	63	28
	H7	84	8	91007-KRN-671	D8	31	18		F6	61	2	E2	41	8	96001-06020-00	D3	26	22
90501-KZ4-J40	I10	103	45	91011-GCT-003	I5	98	26	91307-035-000	D11	34	12	I11	104	4		D11	34	15
			55	91011-KS6-003	D13	36	21		D16	39	22	H12	89	21	96001-06020-07	G2	63	28
90501-KZ4-L30	E9	48	28	91012-KA3-710	E9	48	34		F6	61	2	H13	90	21	96001-06022-00	G2	63	29
90501-MEN-670	G2	63	22	91015-KZ4-701	G6	67	8	91312-KE7-003	D3	26	19	H15	92	32		G4	65	21
90502-KRN-000	H6	83	22		G8	69	24		F6	61	2	I1	94	33		I2	95	15
90503-KRN-000	I11	104	3	91022-KA4-740	E4	43	18	91320-KE1-000	D15	38	10	I3	96	12	96001-06025-00	I11	104	11
90503-KZ4-J40	G5	66	13	91051-KSC-003	I10	103	46	91351-KRN-711	I10	103	53	I6	99	33	96001-06028-00	D3	26	23
90506-430-000	G9	70	2				56	91351-KZ3-731	I10	103	52	H12	89	22		D10	33	5
90507-KA3-830	G5	66	14	91051-KZ4-J21	H4	81	27	91351-KZ4-B01	I10	103	53	H13	90	22		D11	34	16
90511-KRN-000	I16	109	20	91052-KZ4-J21	H4	81	28	91351-MAC-671	I10	103	54	H15	92	33		D15	38	11
90512-KRN-730	I2	95	11	91053-719-005	E4	43	36	91351-MEN-A11	G8	69	26	I1	94	34	96001-06030-00	H6	83	28
90512-KZ4-J20	G9	70	3	91053-KZ4-J21	I10	103	46	91352-MEN-A11	G8	69	27	G2	63	27	96001-06030-07	E1	40	27
90543-MV9-670	D1	24	6				56	91353-MEN-A11	G8	69	28	G15	76	23	96001-06035-00	D11	34	17
	F5	60	2	91062-MAC-681	G15	76	20	91356-KZ3-003	G12	73	33	H4	81	31	96001-06040-00	E4	43	28
90545-300-000	G3	64	17	91071-MJ0-003	I5	98	27	91356-MW0-003	G12	73	34	I2	95	13	96001-06045-00	E4	43	29
	H2	79	13	91072-KZ3-861	I5	98	28	91404-KRN-000	I16	109	23	I3	96	13		I6	99	35
90601-360-000	E9	48	29	91074-KRN-711	I10	103	47	91410-679-000	D16	39	23	D15	38	10	96001-06050-00	I6	99	35
90602-360-000	E9	48	30	91074-KZ4-B01	I10	103	47	91422-MT8-770	H6	83	20	D11	34	14	96001-06060-00	E4	43	30
90602-MEB-670	D16	39	17	91074-MAC-741	I10	103	48	91560-MS8-600	H6	83	24	E1	40	24	96001-06070-00	D15	38	12
90604-MEB-670	E3	42	13	91201-148-003	D15	38	8					E1	40	25		E4	43	31
90608-072-000	D13	36	19	91201-KS6-004	G15	76	21	92000				D3	26	21	96001-06075-00	E4	43	32
90610-MEB-670	E3	42	14	91201-KSR-A01	E9	48	35					D10	33	4	96211-08000	I2	95	16
90630-751-000	E2	41	7	91201-MEB-671	E4	43	19	92301-06010-0A	D11	34	13	E4	43	25	96220-30178	D14	37	5
90650-KV6-003	G2	63	23	91202-MEB-671	E4	43	20	92900-08022-0B	D3	26	20	E12	51	28	96220-40080	E12	51	29
90651-680-961	F2	57	52	91202-MEY-671	E4	43	20					E13	52	13	96300-06012-00	D1	24	7
90651-KV6-003	I16	109	21	91203-KA4-771	E4	43	21	93000				E1	40	26		E13	52	15
90651-MA5-671	G3	64	18	91203-MEB-671	E4	43	22								96300-08025-00	E4	43	33
90651-MEN-A11	G8	69	22	91204-HP1-601	D16	39	19	93301-06016-0A	E12	51	27				96300-08070-00	E4	43	34
90652-KT1-771	I16	109	22	91204-KRN-671	D16	39	19		E13	52	12	95002-02079	E16	55	38			
90652-MEN-A11	G8	69	23	91205-KA3-712	D11	34	9	93401-04016-00	H2	79	14							
90658-SA0-003	G2	63	24	91205-MEB-671	E4	43	23	93404-06014-00	I16	109	24	I13	106	15				
90701-MR7-000	D3	26	17	91211-KRN-671	D15	38	9	93404-06020-08	D13	36	22	E4	43	26	99101-357-1500	E16	55	39
90751-GK1-003	D16	39	18	91211-KSE-671	D15	38	9	93500-04012-1A	G2	63	25	H6	83	25		F4	59	5
	F6	61	2	91251-444-000	I2	95	12	93500-05008-0A	I6	99	31	H8	85	22	99101-357-1520	F1	56	39
90901-KRN-670	E3	42	15	91251-KZ4-J21	H4	81	29	93500-05008-0G	I6	99	32	H11	88	25		F4	59	5
90901-KRN-A00	E5	44	37	91253-KZ3-861	I6	99	29	93600-04012-1G	G3	64	19	I14	107	16	99101-357-1550	F1	56	39
				91254-KZ3-J31	G12	73	28	93600-06010-0H	E10	49	37	G5	66	15		F4	59	5
				91256-KZ3-731	I10	103	49	93892-04008-18	E16	55	36	I2	95	14	99101-357-1580	F1	56	39
				91256-KZ3-A71	G12	73	29	93892-04014-18	E16	55	37	H9	86	24		F2	57	53
91000				91256-MEN-A11	G12	73	37					H11	88	26		F4	59	5
91001-147-003	D13	36	20	91257-KZ3-891	I10	103	50	93913-15510	H8	85	20				99101-357-1600	F1	56	39
91001-KA4-003	D15	38	7	91257-MEB-751	G12	73	30		H11	88	23					F4	59	5
91001-KRN-671	E4	43	16	91258-KZ3-B01	G8	69	25								96000			
91001-KZ4-J11	E9	48	31		G12	73	31								96001-06012-00	D8	31	19
	E10	49	41	91262-KZ3-731	I10	103	51									E4	43	27
91002-KRN-671	E4	43	17	91283-ML7-003	I6	99	30	94001-06000-0S	G2	63	26	I6	99	34	99101-357-1650	F1	56	39
91002-KRN-851	E4	43	17	91301-KSR-A01	E10	49	36					I16	109	26		F2	57	53
91002-KRN-A11	E4	43	17		F6	61	2	94001-08000-0S	G15	76	22	D3	26	22		F4	59	5
91004-KRN-671	E9	48	32	91301-KZ3-711	G12	73	32		H4	81	30	H7	84	9	99101-357-1680	F1	56	39
91004-KSC-671	E9	48	32	91302-PA9-003	D16	39	20	94002-05000-0S	H8	85	21	G9	70	4		F4	59	5
91004-KY4-900	E12	51	26		F6	61	2		H11	88	24	H6	83	26	99101-357-1700	F1	56	39
91004-MEB-671	E7	46	8	91303-377-000	D3	26	18	94002-06000-0S	H2	79	15					F2	57	53
91005-KRN-851	E9	48	33		D16	39	21	94050-06000	G3	64	20					F4	59	5
91005-KRN-A01	E9	48	33		F5	60	2	94050-08000	H12	89	20	H9	86	25		F4	59	5
91005-KSR-A01	E9	48	33		F6	61	2		H13	90	20	H11	88	27	99101-357-1720	F1	56	39
91005-MEB-671	E7	46	9		F6	61	2		H15	92	31	I11	104	5		F4	59	5
91006-HA0-003	E5	44	38	91304-MJ0-003	D11	34	10								99101-357-1750	F1	56	39



# PART NO. INDEX

**K 7**

Part Number	Address	Page	Ref.	Part Number	Address	Page	Ref.	Part Number	Address	Page	Ref.	Part Number	Address	Page	Ref.
99101-357-1750	F2	57	53												
	F4	59	5												
99101-357-1780	F1	56	39												
	F4	59	5												
99101-357-1800	F1	56	39												
	F2	57	53												
	F4	59	5												
99101-357-1820	F1	56	39												
	F4	59	5												
99101-357-1850	F1	56	39												
99101-357-1880	F1	56	39												
99103-440-0350	F1	56	40												
99103-440-0380	F1	56	40												
	F2	57	54												
99103-440-0400	F1	56	40												
	F2	57	54												
99103-440-0420	F1	56	40												
	F2	57	54												
99103-440-0450	F1	56	40												
	F2	57	54												
99103-440-0480	F1	56	40												
99104-MEB-1000	F1	56	41												
99108-KRN-0400	F1	56	42												
99108-KRN-0450	F1	56	42												
99108-KRN-0500	F1	56	42												
99108-KRN-0700	F1	56	42												
99108-KRN-0750	F1	56	42												
99108-KRN-0800	F1	56	42												
99108-KRN-0850	F2	57	42												
99108-KSC-0650	F2	57	42												
99108-KSE-0600	F2	57	42												
99108-MEB-0550	F2	57	42												
99112-KRN-0680	F2	57	43												

# PART NAME INDEX

L 1

Part name	Address	Page	Ref.	Part name	Address	Page	Ref.	Part name	Address	Page	Ref.
[ A ]				BEARING, RADIAL BALL, 22X47X14	E9	48	32	BOLT, FLANGE, 6X10	G5	66	8
ADJUSTER, COMPRESSION DAMPING									G16	77	17
ADJUSTER, SPRING	I8	101	20	BEARING, RADIAL BALL, 22X52X14	E9	48	33	BOLT, FLANGE, 6X12	D1	24	7
ARM ASSY., KICK STARTER	I7	100	6	BEARING, RADIAL BALL, 30X72X16	E4	43	16		D8	31	19
ARM COMP., EX. ROCKER	I2	95	2	BEARING, RADIAL BALL, 6003	E7	46	9		E4	43	27
ARM SET, LINK	D4	27	6	BEARING, RADIAL BALL, 608UU	I5	98	26		E13	52	15
ARM SUB ASSY., CUSHION	E14	53	7	BEARING, RADIAL BALL, 6904	G15	76	20		I6	99	34
ARM, L. STEP	I9	102	29	BEARING, RADIAL BALL, 69052RS	H4	81	27	BOLT, FLANGE, 6X14	I16	109	26
ARM, R. STEP	I3	96	9	BEARING, RADIAL BALL, 6905RS	H4	81	28		D3	26	22
AXLE, FR. WHEEL	I3	96	6	BEARING, RADIAL BALL, 6905U	E12	51	26		H7	84	9
AXLE, RR. WHEEL	G14	75	3	BEARING, SHELL, 33X38X8	E4	43	18	BOLT, FLANGE, 6X16	D9	32	8
	H3	80	5	BEARING, SPECIAL ROLLER	E4	43	17		D16	39	11
				BEARING, SPECIAL ROLLER,					G6	67	6
				20X32X14	E7	46	8		G7	68	18
[ B ]				BEARING, SPHERICAL, 10	I10	103	48		G9	70	4
BALL, STEEL	I2	95	16	BINDER	E16	55	29		H6	83	26
BAND B, INSULATOR	D2	25	6	BLADDER	I8	101	21		H9	86	25
BAND, AIR CLEANER CONNECTING				BODY COMP., L. MUFFLER	H14	91	13		H11	88	27
TUBE	H9	86	24		H16	93	14		I11	104	5
	H11	88	26	BODY COMP., MUFFLER	H12	89	10	BOLT, FLANGE, 6X18	G2	63	28
BAND, L. EX. PIPE	H14	91	17		H13	90	10		H6	83	27
				BODY COMP., RR. FRAME	I15	108	6		D3	26	22
	I1	94	18		I16	109	28	BOLT, FLANGE, 6X20	D11	34	15
				BODY COMP., R. MUFFLER	H14	91	10		G2	63	28
BAND, L. MUFFLER	H12	89	12		H16	93	11		G4	65	21
	H13	90	12	BODY SET, FRAME	I15	108	1		I2	95	15
	H14	91	16	BOLT-WASHER, 4X16	H2	79	14	BOLT, FLANGE, 6X22	G2	63	29
	I1	94	17	BOLT-WASHER, 6X14	I16	109	24		G4	65	21
BAND, MUFFLER BODY	H14	91	3	BOLT-WASHER, 6X20	D13	36	22		I13	106	12
	H16	93	3	BOLT ASSY., FR. FORK	G11	72	14	BOLT, FLANGE, 6X23.5	D9	32	9
BAND, TANK RR.	H5	82	8		G12	73	35		I11	104	11
BAND, WIRE	G2	63	23	BOLT A, PIN	G13	74	8	BOLT, FLANGE, 6X28	D3	26	23
	I16	109	21	BOLT COMP., CENTER	G11	72	12		D10	33	5
				BOLT COMP., PLUG	G7	68	9		D11	34	16
BAR, SIDE STAND	I3	96	2	BOLT SET, ADJUSTING	G3	64	14		D15	38	11
BASE ASSY., ELEMENT	H8	85	5	BOLT, 7X25	G8	69	21	BOLT, FLANGE, 6X30	E1	40	27
	H10	87	6	BOLT, 7X51.5	G7	68	20		H6	83	28
BEARING COMP.	G7	68	12	BOLT, 8X18	H15	92	27		D16	39	12
BEARING, BALL RADIAL, 6905	D8	31	18		I1	94	28	BOLT, FLANGE, 6X32	D11	34	17
BEARING, HEAD PIPE	G6	67	8	BOLT, AIR CLEANER ELEMENT				BOLT, FLANGE, 6X35	D16	39	13
	G8	69	24	SETTING	H8	85	10		E4	43	28
BEARING, NEEDLE THRUST	I5	98	28		H10	87	12	BOLT, FLANGE, 6X45	E4	43	29
BEARING, NEEDLE, 12MM	D13	36	20	BOLT, COVER	E15	54	18		I6	99	35
BEARING, NEEDLE, 12X16X10	E4	43	36	BOLT, CUSHION LOWER, 10X43.5	I9	102	42		I6	99	35
BEARING, NEEDLE, 19X26X13	I10	103	47	BOLT, CUSHION UPPER, 10X53	I9	102	41	BOLT, FLANGE, 6X50	I6	99	35
BEARING, NEEDLE, 19X26X15	I10	103	47	BOLT, DISK, 6X19	G15	76	16	BOLT, FLANGE, 6X60	E4	43	30
BEARING, NEEDLE, 20X26X14	I10	103	46		H4	81	20	BOLT, FLANGE, 6X70	D15	38	12
				BOLT, FLANGE SOCKET, 6X14	E9	48	19		E4	43	31
					E12	51	22	BOLT, FLANGE, 6X75	D16	39	14
BEARING, NEEDLE, 20X26X15	I10	103	46	BOLT, FLANGE, 10X117	I15	108	11		E4	43	32
				BOLT, FLANGE, 10X138	I15	108	16	BOLT, FLANGE, 7X50	D2	25	11
BEARING, NEEDLE, 22X29X30	I5	98	27	BOLT, FLANGE, 10X26	I15	108	17	BOLT, FLANGE, 7X60	D2	25	10
BEARING, NEEDLE, 25X29X22	D13	36	21	BOLT, FLANGE, 10X58	I15	108	15	BOLT, FLANGE, 8X125	I15	108	12
BEARING, NEEDLE, 9MM	E5	44	38	BOLT, FLANGE, 5X12	H6	83	19	BOLT, FLANGE, 8X16	H7	84	7
BEARING, RADIAL BALL, 12X28X7	D15	38	7		I15	108	13	BOLT, FLANGE, 8X18	H12	89	16
BEARING, RADIAL BALL, 17X35X10	E9	48	31	BOLT, FLANGE, 5X16	E2	41	4		H13	90	17
	E10	49	41	BOLT, FLANGE, 6MM	G12	73	26	BOLT, FLANGE, 8X24	H12	89	15
BEARING, RADIAL BALL, 17X36X10	E10	49	41	BOLT, FLANGE, 6X10	D9	32	7		H13	90	16
BEARING, RADIAL BALL, 17X38X10	E10	49	41		D11	34	13		H15	92	26



# PART NAME INDEX

L 2

Part name	Address	Page	Ref.	Part name	Address	Page	Ref.	Part name	Address	Page	Ref.
BOLT, FLANGE, 8X24 .....	I1	94	27	BOOT COMP. ....	G3	64	2	CHAIN, DRIVE.....	I4	97	1
	I3	96	10		G4	65	22	CHAMBER SET, FLOAT.....	E14	53	5
BOLT, FLANGE, 8X25 .....	E4	43	33		H1	78	3		F2	57	45
BOLT, FLANGE, 8X32 .....	H15	92	29	BOOT, PIN BUSH .....	G13	74	9	CIRCLIP.....	G3	64	18
	I1	94	30		G16	77	15		G8	69	22
	I5	98	20	BRACKET SUB ASSY., L. FR.							23
BOLT, FLANGE, 8X35 .....	G5	66	10	CALIPER	G13	74	12		H1	78	9
	H12	89	17	BRACKET SUB ASSY., RR. ....	G16	77	7		H2	79	9
	H13	90	18	BRACKET, C.D.I. UNIT .....	I15	108	2	CIRCLIP, EXTERNAL, 14MM.....	E12	51	28
	H15	92	28		I16	109	29	CIRCLIP, EXTERNAL, 16MM.....	E13	52	13
	I1	94	29	BRACKET, L. HANDLE LEVER .....	G2	63	13	CIRCLIP, INTERNAL, 14MM.....	E1	40	26
BOLT, FLANGE, 8X40 .....	G12	73	25	BRACKET, L. HEAD HANGER .....	I15	108	9	CIRCLIP, SPECIAL INTERNAL,			
	G13	74	15	BRACKET, L. STEP .....	I3	96	5	24MM	D16	39	17
BOLT, FLANGE, 8X45 .....	G5	66	9	BRACKET, R. HEAD HANGER .....	I15	108	8	CIRCLIP, SPECIAL, 33MM.....	E3	42	13
	G6	67	7	BRACKET, R. STEP .....	I3	96	4	CLAMPER A, FR. BRAKE HOSE.....	G10	71	1
	G7	68	19	BRIDGE COMP., FORK TOP .....	G5	66	5	CLAMPER B, FR. BRAKE HOSE.....	G10	71	2
BOLT, FLANGE, 8X55 .....	I15	108	14	BUSH B, SLIDER .....	G11	72	10	CLAMPER, CORD.....	E2	41	3
BOLT, FLANGE, 8X70 .....	E4	43	34	BUSH C, SLIDER .....	G11	72	16	CLAMPER, RADIATOR HOSE.....	H13	90	15
BOLT, FR. DISK COVER .....	G15	76	17	BUSH, GUIDE .....	G10	71	6		H14	91	25
	H2	79	11	BUSH, SLIDER .....	G10	71	7		I1	94	26
BOLT, HANDLE LEVER .....	G3	64	15					CLAMP B, WATER HOSE.....	I13	106	11
BOLT, HANDLE LEVER PIVOT .....	G2	63	20	[ C ]				CLAMP, MASTER CYLINDER OIL			
	G3	64	15	CABLE ASSY., THROTTLE .....	G2	63	31	HOSE	H9	86	26
BOLT, HEAD COVER .....	D1	24	5	CABLE COMP. A, THROTTLE .....	G1	62	1		H10	87	20
BOLT, HEX., 6X16 .....	E7	46	4	CABLE COMP. B, THROTTLE .....	G1	62	3	CLIP.....	F2	57	50
	E12	51	27	CABLE COMP., CLUTCH .....	G1	62	5	CLIP, 2X60.....	D16	39	23
	E13	52	12	CABLE COMP., HOT STARTER .....	G1	62	4	CLIP, 2X70.....	I16	109	23
BOLT, HEX., 8X47.5 .....	I5	98	18	CALIPER SUB ASSY., L. FR.				CLIP, FUEL TUBE.....	I15	108	5
BOLT, KICK ARM .....	I2	95	10	BRAKE	G13	74	11	CLIP, OIL DRAIN TUBE.....	H8	85	1
BOLT, KICK JOINT .....	I2	95	4	CALIPER SUB ASSY., RR. BRAKE ..	G16	77	6				23
BOLT, LEVER PIVOT .....	G2	63	21	CAMSHAFT COMP. ....	D4	27	2		H10	87	1
BOLT, LINK, 12X120 .....	I9	102	40	CAP ASSY., FUEL TANK .....	H5	82	11	CLIP, PISTON PIN, 10MM.....	D12	35	1
BOLT, LINK, 12X81.5 .....	I9	102	39	CAP ASSY., NOISE SUPPRESSOR ...	I12	105	3	CLIP, PISTON PIN, 16MM.....	E6	45	5
BOLT, LINK, 12X82 .....	I10	103	57	CAP COMP., CHAMBER .....	I8	101	23	CLIP, PURSE LOCK.....	E2	41	7
BOLT, LINK, 12X92 .....	I9	102	38	CAP COMP., RADIATOR .....	I13	106	4	CLIP, SUB TANK HOSE.....	H8	85	17
BOLT, LINK, 12X96 .....	I9	102	38	CAP, 14MM.....	D3	26	13		H10	87	19
BOLT, OIL, 10X22 .....	G3	64	16		D16	39	15	CLIP, TUBE.....	E4	43	26
	H2	79	12	CAP, 30MM.....	D11	34	7		E16	55	38
BOLT, PIN .....	G16	77	5	CAP, AIR VALVE .....	I8	101	9		H6	83	25
BOLT, PLUG .....	G11	72	17	CAP, BLEEDER .....	G13	74	3		H8	85	22
BOLT, PROTECTOR .....	G12	73	27		G16	77	12		H11	88	25
BOLT, RECESSED, 5X28 .....	D3	26	12	CAP, END .....	G7	68	16	CLIP, WIRE HARNESS.....	G2	63	24
BOLT, RECESSED, 6X10 .....	D11	34	13	CAP, MASTER CYLINDER .....	G3	64	4	COCK ASSY., FUEL.....	H5	82	1
BOLT, SPECIAL, 12X28 .....	D12	35	13		H1	78	4	COLLAR.....	H6	83	18
BOLT, SPECIAL, 5X9 .....	H6	83	29	CAP, OIL FILLER .....	D11	34	6	COLLAR A.....	H6	83	21
BOLT, SPECIAL, 6MM .....	H7	84	14	CAP, RIM HOLE .....	H4	81	18		H7	84	8
	H12	89	18	CAP, VALVE .....	G14	75	2	COLLAR A, CONNECTING ROD.....	I9	102	30
	H13	90	19	CARBURETOR ASSY. ....	E15	54	21	COLLAR B, CUSHION.....	I9	102	28
	H15	92	30	CASE COMP., AIR CLEANER .....	H8	85	8	COLLAR COMP., R. FR. WHEEL .....	G14	75	5
	I1	94	31		H10	87	10	COLLAR C, CUSHION ARM.....	I9	102	26
BOLT, SPECIAL, 8MM .....	H7	84	13	CASE COMP., DAMPER .....	I7	100	8	COLLAR D, CUSHION.....	I8	101	25
BOLT, STEP, 12MM .....	I3	96	11	CASE COMP., ROD GUIDE.....	I8	101	13	COLLAR D, CUSHION ARM.....	I8	101	25
BOLT, STOPPER .....	E15	54	19	CASE, DAMPER .....	G7	68	8	COLLAR D, CUSHION ARM SIDE.....	I9	102	27
BOLT, STUD, 10X135 .....	E3	42	10	CENTER, CLUTCH .....	D12	35	4	COLLAR D, CUSHION SIDE.....	I9	102	27
BOLT, STUD, 8X22 .....	D3	26	20	CENTER, GEARSHIFT DRUM .....	E11	50	7	COLLAR, 17MM.....	E8	47	5
BOLT, UBS, 8X33 .....	E9	48	20	CHAIN, CAM .....	D9	32	1	COLLAR, 20MM.....	E8	47	15
BOLT, WIRE ADJUSTING .....	G2	63	19					COLLAR, 24MM.....	E8	47	8
BOOT B .....	G13	74	10								
	G16	77	16								

5

# PART NAME INDEX

L 3

Part name	Address	Page	Ref.	Part name	Address	Page	Ref.	Part name	Address	Page	Ref.
COLLAR, 6X4 .....	I15	108	10	CRANKCASE COMP., R. ....	E3	42	1	DUST SEAL, STEERING HEAD.....	G7	68	3
COLLAR, AIR CLEANER .....	H8	85	19	CRANKSHAFT COMP. ....	E6	45	1				4
	H10	87	22	CUSHION ASSY., RR. ....	I7	100	1	[ E ]			
COLLAR, CHAIN GUIDE .....	I4	97	10	CUSHION, C.D.I. UNIT .....	I12	105	1				
COLLAR, CHAIN TENSIONER .....	I5	98	12				5	ELEMENT, AIR CLEANER.....	H8	85	4
COLLAR, CLUTCH OUTER .....	D12	35	12	CUSHION, HANDLE PIPE .....	G5	66	4		H10	87	5
COLLAR, COUNTERSHAFT .....	E8	47	3	CYLINDER .....	D10	33	2	EMBLEM, PRODUCT.....	G5	66	7
COLLAR, COUNTERSHAFT THIRD				CYLINDER ASSY., RR. BRAKE				[ F ]			
GEAR	E8	47	11	MASTER	H1	78	2				
COLLAR, DRIVE SPROCKET .....	E10	49	39	CYLINDER SUB ASSY., FR. BRAKE							
COLLAR, FR. DISTANCE .....	G14	75	6	MASTER	G3	64	3				
COLLAR, FR. FENDER .....	G9	70	3	CYLINDER SUB ASSY., FR. MASTER	G3	64	3	FENDER SET, RR.....	I11	104	2
COLLAR, KICK SPINDLE .....	E13	52	9	C.D.I. UNIT .....	I12	105	2				
COLLAR, LINK SIDE .....	I9	102	31				6	FENDER SUB ASSY., FR.....	G9	70	1
COLLAR, L. FR. WHEEL .....	G14	75	4	[ D ]				FILTER COMP., ENGINE OIL.....	D16	39	5
COLLAR, L. RR. AXLE .....	H3	80	6					FLAP, TIRE.....	G15	76	12
COLLAR, MAINSHAFT FOURTH GEAR	E8	47	13	DAMPER ASSY., STEERING .....	G7	68	7		H4	81	15
COLLAR, PIVOT .....	G2	63	22	DAMPER COMP., FR. ....	G10	71	9	FLOAT SET.....	E14	53	3
COLLAR, RADIATOR MOUNTING ....	I13	106	6					FLYWHEEL COMP. ....	E2	41	9
COLLAR, REBOUND NEEDLE .....	G11	72	11		G11	72	9	FORK SUB ASSY., L. FR. ....	G12	73	22
COLLAR, RR. FENDER .....	I11	104	3	DAMPER COMP., RR. ....	I7	100	3	FORK SUB ASSY., R. FR. ....	G11	72	19
				DIAL, CLUTCH CABLE ADJUSTING ..	G2	63	17	FORK, CENTER GEARSHIFT.....	E11	50	3
COLLAR, RR. WHEEL DISTANCE ...	H3	80	9	DIAPHRAGM .....	G3	64	7	FORK, L. GEARSHIFT.....	E11	50	2
COLLAR, RR. WHEEL SIDE .....	H3	80	8		H1	78	7	FORK, R. GEARSHIFT.....	E11	50	1
COLLAR, R. RR. AXLE .....	H3	80	7	DIAPHRAGM COMP. #15 .....	F2	57	47	[ G ]			
COLLAR, SEAT FR. ....	H5	82	9	DIAPHRAGM COMP. #20 .....	F2	57	47	GASKET SET.....	E14	53	1
COLLAR, SHIFTER .....	E11	50	10	DIAPHRAGM SET, PUMP .....	E14	53	9		F2	57	44
COLLAR, SHROUD UPPER .....	H6	83	22	DISK B, CLUTCH FRICTION .....	D13	36	24	GASKET SHEET KIT A.....	F5	60	1
COLLAR, STEERING DAMPER .....	G7	68	17	DISK, CLUTCH FRICTION .....	D12	35	5	GASKET SHEET KIT B.....	F6	61	1
COLLAR, SWINGARM PIVOT .....	I4	97	6		D13	36	24	GASKET, CLUTCH COVER.....	D11	34	4
COLLAR, SWINGARM PIVOT SIDE ..	I4	97	8	DISK, FR. BRAKE .....	G15	76	14		F6	61	1
COLLAR, SWINGARM, 49MM .....	I4	97	5				19	GASKET, CRANKCASE.....	E3	42	3
COLLAR, TANK SETTING .....	H5	82	4	DISK, RR. BRAKE .....	H4	81	32		F6	61	1
COLLAR, TENSIONER, 6X9 .....	D9	32	3					GASKET, CYLINDER.....	D10	33	3
COLLAR, TOOL BOX SETTING .....	H7	84	3	DOWEL PIN, 10X16 .....	E1	40	25		F5	60	1
COLLAR, WATER PASS, 16MM .....	D11	34	1	DOWEL PIN, 12X20 .....	D3	26	21	GASKET, CYLINDER HEAD.....	D2	25	4
COTTER, VALVE .....	D5	28	15		D10	33	4		F5	60	1
	D8	31	22	DOWEL PIN, 14X20 .....	E4	43	25	GASKET, EX. PIPE.....	F5	60	1
COUNTERSHAFT .....	E8	47	2	DOWEL PIN, 8X10 .....	D15	38	10		F5	60	1
COVER COMP., CYLINDER HEAD ...	D1	24	2	DOWEL PIN, 8X14 .....	D11	34	14	GASKET, FLOAT CHAMBER.....	E15	54	24
COVER COMP., DRIVE SPROCKET ..	D16	39	9		E1	40	24		F3	58	2
COVER COMP., L. CRANKCASE ....	D16	39	2	DOWEL PIN, 8X7 .....	D15	38	10	GASKET, HEAD COVER.....	D1	24	4
COVER, CLUTCH .....	D11	34	3	DOWEL PIN, 9X14 .....	D3	26	17		F5	60	1
COVER, END .....	H12	89	7	D-RING, 22MM .....	E10	49	36	GASKET, L. COVER.....	D16	39	3
	H13	90	7		F6	61	2		F6	61	1
COVER, FR. DISK .....	G15	76	15	DRUM, GEARSHIFT .....	E11	50	6	GASKET, R. COVER.....	D11	34	5
COVER, L. HANDLE LEVER .....	G2	63	15	DUST SEAL .....	G12	73	28		F6	61	1
COVER, L. SIDE .....	H7	84	6	DUST SEAL, 15X20X2.5 .....	I2	95	12	GASKET, TENSIONER LIFTER.....	D9	32	5
				DUST SEAL, 16X26X3 .....	I10	103	54		F5	60	1
COVER, OIL FILTER .....	D16	39	1	DUST SEAL, 17X20X2.5 .....	I2	95	9	GASKET, WATER PUMP.....	D15	38	3
COVER, RR. DISK .....	G16	77	9	DUST SEAL, 17X26X3 .....	I10	103	53		F6	61	1
COVER, R. CRANKCASE .....	D11	34	2	DUST SEAL, 17.5X26X3 .....	I10	103	53	GAUGE, AIR PRESSURE.....	J1	110	5
COVER, R. HANDLE LEVER .....	G3	64	13	DUST SEAL, 22X29X4 .....	I6	99	30	GAUGE, OIL LEVEL.....	D16	39	7
COVER, R. SIDE .....	H7	84	4	DUST SEAL, 25X32X4 .....	I10	103	51	GEAR COMP., STARTER IDLE.....	E13	52	3
				DUST SEAL, 30X37X4 .....	I6	99	29				
COVER, THROTTLE .....	E15	54	23	DUST SEAL, 32X43X7 .....	H4	81	29				
COVER, THROTTLE CABLE .....	G1	62	2	DUST SEAL, RR. CUSHION PIVOT ..	I10	103	52				
COVER, WATER PUMP .....	D15	38	2	DUST SEAL, STEERING HEAD .....	G6	67	2				
CRANKCASE COMP., L. ....	E3	42	4				3				

# PART NAME INDEX

L 4

Part name	Address	Page	Ref.	Part name	Address	Page	Ref.	Part name	Address	Page	Ref.
GEAR COMP., WATER PUMP .....	D15	38	4	[ I ]				MARK, L. RADIATOR SHROUD .....	J3	112	2
GEAR, BALANCER DRIVE .....	D12	35	2	IMPELLER, WATER PUMP .....	D15	38	1				5
GEAR, BALANCER DRIVEN .....	E7	46	2	INSULATOR, CARBURETOR .....	D2	25	5				7
GEAR, COUNTERSHAFT FIFTH .....	E9	48	17	[ J ]				MARK, R. RADIATOR SHROUD .....	J4	113	3
GEAR, COUNTERSHAFT FOURTH .....	E8	47	14	JET COMP., PISTON, .....	E4	43	35		J3	112	1
GEAR, COUNTERSHAFT LOW .....	E8	47	4	JET, BY-STARTER, .....	F2	57	43				4
GEAR, COUNTERSHAFT SECOND .....	E8	47	7	JET, LEAK, .....	F1	56	42				6
GEAR, COUNTERSHAFT THIRD .....	E8	47	10	JET, MAIN, .....	F2	57	42	MARK, STEERING DAMPER .....	J4	113	2
GEAR, MAINSHAFT FIFTH .....	E9	48	16	JET, MAIN, .....	E16	55	39	MUDGUARD, AIR CLEANER CASE .....	H8	85	7
GEAR, MAINSHAFT FOURTH .....	E8	47	12		F1	56	39		H10	87	8
GEAR, MAINSHAFT SECOND .....	E8	47	6	JET, OIL, .....	F2	57	53	MUFFLER COMP. ....	H12	89	2
GEAR, MAINSHAFT THIRD .....	E8	47	9	JET, SLOW AIR, .....	F4	59	5	MUFFLER COMP., FR. ....	H13	90	2
GEAR, OIL PUMP DRIVEN .....	D14	37	2	JET, SLOW, .....	F1	56	40	MUFFLER COMP., L. ....	H12	89	9
GEAR, PRIMARY DRIVE .....	D12	35	11	JOINT ASSY., FUEL .....	E3	42	15	MUFFLER COMP., L. ....	H13	90	9
GEAR, WATER PUMP DRIVE .....	E7	46	3	JOINT SET, FUEL .....	F1	56	41	MUFFLER COMP., L. ....	H14	91	23
GRILLE, RADIATOR .....	I13	106	3	JOINT, BRAKE ROD .....	F2	57	54	MUFFLER COMP., L. FR. ....	I1	94	24
GRIP COMP., THROTTLE .....	G1	62	7	JOINT, BREATHER TUBE .....	H5	82	2	MUFFLER COMP., L. RR. ....	H14	91	14
GRIP, L. HANDLE .....	G1	62	9	JOINT, DRIVE CHAIN .....	E15	54	15	MUFFLER COMP., L. RR. ....	H16	93	15
GRIP, R. HANDLE .....	G1	62	8	JOINT, FUEL TUBE .....	H2	79	10	MUFFLER COMP., L. RR. ....	H14	91	15
GUARD, HEAT .....	H10	87	9	JOINT, WATER .....	H8	85	12		H16	93	16
GUARD, L. ENGINE .....	I15	108	7	[ K ]	H10	87	14	MUFFLER COMP., RR. ....	I1	94	16
GUARD, RR. CALIPER .....	G16	77	10	KEY, SPECIAL WOODRUFF, 25X14 ..	I4	97	2	MUFFLER COMP., RR. ....	H12	89	11
GUIDE COMP., TUBE .....	E3	42	14		H8	85	2	MUFFLER COMP., R. ....	H13	90	11
GUIDE, CAM CHAIN .....	D9	32	6	JOINT, KICK ARM .....	H10	87	3	MUFFLER COMP., R. FR. ....	H14	91	2
GUIDE, CHAIN .....	I4	97	9	JOINT, WATER .....	I2	95	3	MUFFLER COMP., R. FR. ....	H16	93	2
	I6	99	36	[ L ]	D2	25	8	MUFFLER COMP., R. FR. ....	H14	91	11
GUIDE, DRIVE CHAIN .....	D16	39	10	LABEL, DRIVE CHAIN .....	E6	45	6	MUFFLER COMP., R. FR. ....	H16	93	12
GUIDE, EX. VALVE .....	D2	25	3	LABEL, RR. DAMPER WARNING .....				MUFFLER COMP., R. RR. ....	H14	91	12
GUIDE, FR. BRAKE HOSE .....	G6	67	1		I9	102	36		H16	93	13
	G7	68	1					[ N ]			
GUIDE, HARNESS .....	I15	108	4					NEEDLE SET, JET .....	E16	55	35
	I16	109	31						F3	58	3
GUIDE, IN. VALVE .....	D2	25	2					NUT, 18MM .....	F4	59	3
GUIDE, RR. BRAKE HOSE .....	I4	97	3					NUT, ADJUSTER .....	D12	35	14
								NUT, CAP, 9MM .....	I7	100	7
[ H ]								NUT, CLIP, 6MM .....	D3	26	14
HARNESS, WIRE .....	I12	105	4					NUT, CLIP, 6MM .....	H8	85	18
HEAD ASSY., CYLINDER .....	D2	25	1						H10	87	21
HOLDER B1, HANDLE PIPE UPPER ..	G5	66	15					NUT, FLANGE, 10MM .....	I13	106	13
HOLDER, CABLE .....	F2	57	52					NUT, FLANGE, 12MM .....	I16	109	18
HOLDER, HANDLE UNDER .....	G5	66	3					NUT, FLANGE, 12MM .....	E2	41	8
HOLDER, L. LEVER BRACKET .....	G2	63	14					NUT, FLANGE, 6MM .....	G3	64	20
HOLDER, MASTER CYLINDER .....	G3	64	5					NUT, FLANGE, 8MM .....	H12	89	20
HOLDER, NEEDLE JET .....	E15	54	25						H13	90	20
HOLDER, RR. FENDER NUT .....	I11	104	8						H15	92	31
HOSE A, WATER .....	I13	106	8						I1	94	32
HOSE B, WATER .....	I13	106	9						I16	109	25
HOSE COMP., FR. BRAKE .....	G3	64	1						G15	76	18
HOSE COMP., RR. BRAKE .....	H1	78	1						I8	101	19
HOSE D, WATER .....	I13	106	10						E7	46	5
HOSE, RR. BRAKE .....	H1	78	1						H8	85	21
HOUSING, UNDER THROTTLE .....	G1	62	11						H11	88	24
	G2	63	11						G2	63	26
HOUSING, UPPER THROTTLE .....	G1	62	10								32
HUB SUB ASSY., FR. ....	G14	75	7	[ M ]							
HUB SUB ASSY., FR. WHEEL .....	G14	75	7	MAINSHAFT COMP. ....	E8	47	1				
HUB SUB ASSY., RR. ....	H3	80	10	MARK .....	J3	112	3				
				MARK .....	J4	113	4				
				MARK, CAUTION .....	J2	111	2				

5

# PART NAME INDEX

L 5

Part name	Address	Page	Ref.	Part name	Address	Page	Ref.	Part name	Address	Page	Ref.
NUT, HEX., 6MM .....	H2	79	15	O-RING, 26.2X1.9 .....	I10	103	50	PIPE, STEERING HANDLE .....	G5	66	1
NUT, HEX., 8MM .....	G15	76	22	O-RING, 26.7X3.5 .....	G12	73	29	PIPE, WATER .....	D2	25	8
	H4	81	30	O-RING, 27X2 .....	D11	34	11	PISTON .....	E6	45	3
	I5	98	24		F6	61	2		G13	74	5
NUT, LOCK .....	G11	72	15	O-RING, 27.6X1.8 .....	G12	73	37		G16	77	13
NUT, RR. FENDER .....	I11	104	9	O-RING, 27.7X1.9 .....	G12	73	30	PISTON SET, MASTER CYLINDER...	G3	64	10
NUT, SPECIAL, 6X7 .....	I11	104	1	O-RING, 37.2X2.4 .....	G12	73	34		H1	78	5
NUT, SPRING, 6MM .....	H12	89	14	O-RING, 39.8X2.2 .....	D16	39	20	PISTON, FREE .....	G7	68	13
	H13	90	14		F6	61	2	PIVOT, SHIFT DRUM STOPPER ARM	E12	51	21
	H14	91	24	O-RING, 3.5X1.5 .....	G12	73	32	PLATE SET, FR. NUMBER .....	G5	66	16
	I1	94	25	O-RING, 3.5X43.7 .....	I8	101	15	PLATE, AIR CLEANER CASE FR. ...	H8	85	6
NUT, SQUARE, 5MM .....	D2	25	7	O-RING, 42.5X2.0 .....	I8	101	16		H10	87	7
NUT, STEERING STEM .....	G5	66	11	O-RING, 44.7X2.4 .....	G12	73	33	PLATE, BEARING HOLDER .....	E3	42	11
NUT, U, 10MM .....	G5	66	12	O-RING, 5.8X1.9 .....	F2	57	49		E7	46	7
	I10	103	44	O-RING, 8.5X1.7 .....	D16	39	18		E9	48	22
NUT, U, 12MM .....	I9	102	43		F6	61	2		E12	51	24
NUT, U, 22MM .....	H4	81	23	O-RING, 9.5X1.5 .....	G8	69	26	PLATE, BREATHER .....	D1	24	3
NUT, U, 6MM .....	G2	63	32	OUTER COMP., CLUTCH .....	D12	35	3	PLATE, BUFFER .....	E16	55	30
	G15	76	19					PLATE, CAM CHAIN GUIDE .....	E3	42	5
	H4	81	22	[ P ]				PLATE, CHAIN GUIDE .....	I4	97	11
	I5	98	21	PACKING, EX. ....	H14	91	21		I5	98	11
			23		I1	94	22	PLATE, CLUTCH .....	D12	35	6
NUT, U, 8MM .....	H4	81	24	PACKING, FUEL CAP .....	H5	82	12	PLATE, CLUTCH LEVER .....	E3	42	9
	I5	98	23	PACKING, MUFFLER .....	H12	89	13	PLATE, CLUTCH PRESSURE .....	D12	35	7
NUT, U, HEX. 14MM .....	I5	98	22		H13	90	13	PLATE, COUNTERSHAFT BEARING...	E9	48	34
					H14	91	20	PLATE, DIAPHRAGM .....	H1	78	6
[ O ]								PLATE, END .....	I8	101	12
OIL SEAL SET .....	I8	101	18		I1	94	21	PLATE, FR. NUMBER .....	G5	66	6
OIL SEAL, 10X21X5 .....	D16	39	19					PLATE, GUIDE .....	E11	50	14
OIL SEAL, 12X18X3 .....	E4	43	23	PACK A, GLASS WOOL .....	H16	93	9	PLATE, OIL GUIDE .....	E13	52	1
OIL SEAL, 12X22X5 .....	D15	38	8	PACK B, GLASS WOOL .....	H16	93	10	PLATE, RATCHET SLIDER .....	E13	52	8
OIL SEAL, 14X22X5 .....	E4	43	21	PAD SET, FR. ....	G13	74	4	PLATE, WEIGHT SETTING .....	D4	27	4
OIL SEAL, 16.5X25X5 .....	D11	34	9	PAD SET, RR. ....	G16	77	1	PLUG, BREATHER TUBE .....	H8	85	13
OIL SEAL, 20X33X5 .....	E4	43	22	PARTS KIT, CARBURETOR OPTIONAL	F3	58	1		H10	87	15
OIL SEAL, 26X37X7 .....	G15	76	21	PAWL A, RATCHET .....	E11	50	11	PLUG, PIN .....	G13	74	13
OIL SEAL, 28X37X7 .....	E9	48	35	PAWL B, RATCHET .....	E11	50	12	PLUG, SPARK .....	D2	25	9
OIL SEAL, 38X52X7 .....	E4	43	19	PEDAL COMP., CHANGE .....	I2	95	1	PLUNGER, PAWL .....	E11	50	13
OIL SEAL, 39X56X7 .....	E4	43	20	PEDAL, RR. BRAKE .....	I2	95	6	PROTECTOR, EX. PIPE .....	H12	89	4
OIL SEAL, 39X56X7.5 .....	E4	43	20	PIECE, ADJUST .....	G7	68	10		H13	90	4
ORIFICE, .....	E5	44	37	PIECE, CLUTCH LIFTER .....	D12	35	8		H14	91	5
O-RING, 11X1.9 .....	G8	69	27	PINION COMP., KICK STARTER ...	E13	52	2		H16	93	5
O-RING, 11.8X3.55 .....	H5	82	3	PIN D, JOINT .....	I2	95	14	PROTECTOR, HANDLE .....	G5	66	2
O-RING, 13.5X1.5 .....	G8	69	28	PIN, GEARSHIFT RETURN SPRING ..	E12	51	20	PROTECTOR, L. FR. FORK .....	G12	73	24
O-RING, 13.8X2.5 .....	D3	26	18	PIN, HANGER .....	G13	74	14	PROTECTOR, MUFFLER .....	H12	89	5
	D16	39	21		G16	77	8	PROTECTOR, R. FR. FORK .....	G12	73	23
	F5	60	2	PIN, PISTON .....	E6	45	4	[ R ]			
	F6	61	2	PIN, SHIFTER .....	E11	50	8	RADIATOR, L. ....	I13	106	2
O-RING, 15.8X2.4 .....	D11	34	10	PIN, SPLIT, 2.0X12 .....	I2	95	13	RADIATOR, R. ....	I13	106	1
	F6	61	2	PIN, SPLIT, 2.5X15 .....	I3	96	13	RATCHET, STARTER .....	E13	52	4
O-RING, 18X3 .....	D11	34	12	PIN, STEP JOINT .....	I3	96	3	RECEIVER, CLUTCH CABLE .....	D16	39	8
	D16	39	22	PIPE COMP., EX. ....	H12	89	3	RETAINER .....	G13	74	7
	F6	61	2		H13	90	3	RETAINER, BRACKET .....	G16	77	4
O-RING, 18.8X1.9 .....	G8	69	25		H14	91	4	RETAINER, RR. WHEEL BEARING...	H3	80	4
	G12	73	31	PIPE COMP., L. SLIDE .....	G12	73	21	RETAINER, VALVE SPRING .....	D5	28	13
O-RING, 19X3 .....	D3	26	19	PIPE COMP., R. SLIDE .....	G10	71	8		D8	31	21
	F6	61	2	PIPE, COMP., EX. JOINT .....	H14	91	19	RIM, FR. WHEEL .....	G14	75	9
O-RING, 1.3X4.3 .....	F2	57	46		I1	94	20				
O-RING, 21.5X1.5 .....	I10	103	49								





# PART NAME INDEX

L 6

Part name	Address	Page	Ref.	Part name	Address	Page	Ref.	Part name	Address	Page	Ref.	
RIM, RR. WHEEL .....	H3	80	12	SCREW, FLAT, 8X31 .....	H4	81	21	SPRING, BRAKE LEVER .....	G3	64	12	
RING .....	G3	64	8	SCREW, PAN .....	E15	54	20	SPRING, CLUTCH .....	D12	35	9	
				SCREW, PAN, 4X12 .....	G2	63	25	SPRING, DECOMPRESSION .....	D4	27	5	
RING SET, PISTON .....	E6	45	2	SCREW, PAN, 5X13 .....	H6	83	23	SPRING, DRUM STOPPER .....	E11	50	17	
RING, BACK UP .....	G10	71	5	SCREW, PAN, 5X8 .....	I5	98	19	SPRING, EX. VALVE .....	D4	27	12	
RING, OIL SEAL STOPPER .....	G11	72	13		I6	99	31		D5	28	12	
RING, PISTON .....	G12	73	36				32	SPRING, FR. FORK .....	G10	71	3	
	I8	101	14	SCREW, SPECIAL FLAT, 6X12 .....	E4	43	24	SPRING, GEARSHIFT RETURN .....	E12	51	19	
RING, STOPPER .....	G7	68	2	SCREW, SPECIAL FLAT, 6X17 .....	E4	43	24	SPRING, IN. VALVE .....	D4	27	11	
	G16	77	14	SCREW, SPECIAL, 5MM .....	H6	83	20	SPRING, JUDDER .....	D13	36	25	
	I8	101	17	SCREW, TAPPING, 5X20 .....	H8	85	20	SPRING, KICK STARTER .....	I2	95	5	
			22		H11	88	23	SPRING, L. STEP RETURN .....	I3	96	8	
			24	SEAL SET, FR. FORK .....	G12	73	20	SPRING, OIL FILTER .....	D16	39	6	
			35	SEAL SET, PISTON .....	G13	74	1	SPRING, PAD .....	G13	74	6	
RING, WEAR .....	G11	72	18		G16	77	2		G16	77	3	
RIVET, BLIND, 3.2 .....	H16	93	6	SEAL, EX. VALVE STEM .....	D8	31	20	SPRING, PAWL PLUNGER .....	E11	50	15	
RIVET, BLIND, 4.8 .....	H12	89	6	SEAL, RADIATOR CAP .....	I13	106	7	SPRING, RATCHET .....	E13	52	5	
	H13	90	5	SEAL, RING .....	D1	24	1	SPRING, RETURN .....	G7	68	14	
	H14	91	6		F5	60	2	SPRING, RR. CUSHION .....	I7	100	2	
ROD COMP. ....	I8	101	10	SEAL, VALVE STEM .....	D4	27	1	SPRING, R. STEP RETURN .....	I3	96	7	
ROD COMP., PISTON .....	G7	68	11		D8	31	20	SPRING, STARTER RETURN .....	E13	52	7	
ROD COMP., PUSH .....	I7	100	5	SEAL, WATER PUMP .....	D15	38	9	SPROCKET, DRIVE .....	E9	48	18	
ROD SUB ASSY., CUSHION	H1	78	8	SEAT COMP. ....	H7	84	1	SPROCKET, FINAL DRIVEN .....	H3	80	3	
				SEAT, JUDDER SPRING .....	D13	36	23	STAND COMP., MAIN .....	I3	96	1	
CONNECTING	I9	102	33	SEAT, SPRING .....	I9	102	34	START SET, HOT .....	E14	53	8	
ROD, CLUTCH LIFTER .....	D12	35	10	SEAT, VALVE SPRING .....	D5	28	14	STATOR COMP. ....	E2	41	2	
ROD, PUSH .....	G4	65	23	SENSOR ASSY., THROTTLE .....	E15	54	17	STAY, AIR CLEANER ELEMENT .....	H8	85	3	
ROLLER .....	E15	54	26	SEPARATOR COMP. ....	G3	64	6		H10	87	4	
ROLLER COMP., CHAIN LOWER .....	I5	98	16	SET RING, 20MM .....	E9	48	29	STAY, COUPLER .....	I15	108	3	
ROLLER, 3X17.8 .....	D14	37	5	SET RING, 22MM .....	E9	48	30	STAY, EX. PIPE PROTECTOR .....	H13	90	6	
ROLLER, 4X8 .....	E12	51	29	SHAFT A, SHIFT FORK .....	E11	50	4		H14	91	7	
ROLLER, CHAIN .....	I5	98	15	SHAFT B, SHIFT FORK .....	E11	50	5		H16	93	7	
ROTOR, OIL PUMP INNER .....	D14	37	3	SHAFT COMP., BALANCER .....	E7	46	1	STAY, FR. TANK .....	H5	82	7	
ROTOR, OIL PUMP OUTER .....	D14	37	4	SHAFT SET, THROTTLE .....	E14	53	12	STAY, L. COUPLER .....	I16	109	30	
RUBBER, FUEL TANK MOUNTING .....	H5	82	6	SHAFT, BRAKE PIVOT .....	I2	95	8	STAY, RR. EX. PIPE PROTECTOR .....	H16	93	8	
RUBBER, MOUNTING .....	D1	24	6	SHAFT, EX. ROCKER ARM .....	D4	27	7	STEM SUB ASSY., STEERING .....	G6	67	4	
	F5	60	2	SHAFT, MAINSHAFT GEARSHIFT					G7	68	5	
RUBBER, RADIATOR MOUNTING .....	I13	106	5		FORK	E11	50	5	STOPPER COMP., DRUM .....	E11	50	16
RUBBER, SEAT RAIL .....	I16	109	27	SHAFT, OIL PUMP .....	D14	37	1	STOPPER, BEAD .....	G15	76	13	
RUBBER, SIDE COVER STOPPER .....	H7	84	5	SHAFT, SWINGARM PIVOT .....	I4	97	4		H4	81	17	
			11	SHIFTER, DRUM .....	E11	50	9	STOPPER, SPRING SEAT .....	I7	100	4	
RUBBER, SILENCER .....	H5	82	15	SHIM, TAPPET .....	D5	28	16	SWINGARM SUB ASSY., RR. ....	I5	98	17	
RUBBER, STOPPER .....	I8	101	11		D6	29	16	SWITCH ASSY., KILL .....	G1	62	6	
RUBBER, TANK GUARD .....	I16	109	27				17					
							D7					
							D8					
				SHROUD SET, L. RADIATOR .....	H6	83	17					
				SHROUD SET, R. RADIATOR .....	H5	82	16	TANK COMP., FUEL .....	H5	82	5	
					H6	83	16	TENSIONER COMP., CAM CHAIN .....	D9	32	2	
				SLIDER, CHAIN .....	I5	98	13	THREAD, STEERING HEAD TOP .....	G6	67	5	
				SLIDER, THROTTLE CABLE .....	G2	63	12		G7	68	6	
SCREW-WASHER, 4X24 .....	E2	41	5	SPANNER A, PIN .....	J1	110	1	TIRE, FR. ....	G14	75	10	
SCREW-WASHER, 4X8 .....	E16	55	36	SPINDLE COMP., GEARSHIFT .....	E11	50	18	TIRE, RR. ....	H3	80	13	
SCREW SET A .....	E14	53	6		E12	51	18	TOOL, CARBURETOR MAINTENANCE .....	J1	110	4	
SCREW SET B .....	E14	53	10	SPINDLE, KICK STARTER .....	E13	52	6	TOP SET .....	E14	53	4	
SCREW SET, JET NEEDLE .....	E14	53	11	SPOKE SET, FR. ....	G14	75	1		F2	57	51	
SCREW, BLEEDER .....	G13	74	2	SPOKE SET, RR. ....	H3	80	1	TUBE A, BREATHER .....	H8	85	14	
	G16	77	11				2		H10	87	16	
SCREW, FLAT, 4X12 .....	G3	64	19	SPRING ASSY., RR. BRAKE RETURN	I2	95	7	TUBE A, FUEL .....	H5	82	14	
SCREW, FLAT, 6X10 .....	E10	49	37									

[ S ]

[ T ]

# PART NAME INDEX

L 7

Part name	Address	Page	Ref.	Part name	Address	Page	Ref.	Part name	Address	Page	Ref.
TUBE B, BREATHER .....	H8	85	15	WASHER, HEAD HANGER PLATE .....	I16	109	20	WOOL COMP., GLASS .....	H13	90	8
	H10	87	17	WASHER, LOCK, 18MM .....	D12	35	16	WRENCH, NIPPLE .....	J1	110	2
TUBE B, FUEL .....	H5	82	13	WASHER, OIL BOLT .....	G3	64	17	WRENCH, PLUG .....	J1	110	3
TUBE COMP., AIR VENT .....	E16	55	33		H2	79	13				
TUBE COMP., FUEL CAP BREATHER	H5	82	10	WASHER, PLAIN .....	E15	54	27				
TUBE C, BREATHER .....	H8	85	16		E16	55	28				
	H10	87	18	WASHER, PLAIN, 10MM .....	G5	66	14				
TUBE, AIR CLEANER CONNECTING	H8	85	9	WASHER, PLAIN, 12MM .....	D12	35	15				
	H10	87	11		E2	41	6				
TUBE, AIR VENT .....	E16	55	32		I10	103	45				
			34				55				
TUBE, BRAKE PEDAL SPRING .....	I2	95	17	WASHER, PLAIN, 5MM .....	I6	99	33				
TUBE, BREATHER .....	E3	42	2	WASHER, PLAIN, 6MM .....	I11	104	4				
TUBE, DRAIN .....	H8	85	11	WASHER, PLAIN, 8MM .....	H12	89	21				
	H10	87	13				22				
TUBE, OUTER .....	G10	71	4		H13	90	21				
TUBE, OVERFLOW .....	E16	55	31				22				
TUBE, TIRE .....	G15	76	11		H15	92	32				
	H4	81	14				33				
TUBE, VINYL, 6X9X730 .....	I14	107	16		I1	94	33				
TY-RAP, CABLE .....	H6	83	24				34				
					I3	96	12				
[ U ]				WASHER, PLAIN, 9MM .....	D3	26	15				
U-RING .....	F2	57	48	WASHER, RADIATOR MOUNTING .....	I13	106	14				
				WASHER, SEALING, 6MM .....	D9	32	10				
[ V ]					F5	60	2				
VALVE ASSY., RELIEF .....	D16	39	4	WASHER, SEALING, 6.5MM .....	D11	34	8				
VALVE COMP., REED .....	E3	42	7		D15	38	6				
VALVE SET, FLOAT .....	E14	53	2		F6	61	2				
VALVE SET, FLOATING .....	E15	54	14	WASHER, SEALING, 7MM .....	D15	38	5				
VALVE SET, STARTER .....	E15	54	16		F6	61	2				
VALVE, EX. ....	D4	27	9	WASHER, SEALING, 8MM .....	E3	42	12				
VALVE, IN. ....	D4	27	8		F6	61	2				
VALVE, THROTTLE .....	E15	54	22	WASHER, SPECIAL, 6MM .....	D9	32	11				
				WASHER, SPLINE, 20MM .....	E9	48	27				
[ W ]				WASHER, SPRING, 24MM .....	E10	49	40				
WASHER .....	G7	68	15	WASHER, SPRING, 4MM .....	G2	63	27				
WASHER O-RING KIT A .....	F5	60	2	WASHER, SPRING, 8MM .....	G15	76	23				
WASHER O-RING KIT B .....	F6	61	2		H4	81	31				
WASHER, 10MM .....	I16	109	19	WASHER, SPRING, 8X40 .....	E9	48	28				
WASHER, 12MM .....	D13	36	19	WASHER, STEERING STEM .....	G5	66	13				
WASHER, 14MM .....	E7	46	6	WASHER, SWINGARM SIDE .....	I4	97	7				
	E12	51	25	WASHER, THRUST .....	I9	102	32				
	I5	98	25	WASHER, THRUST INVOLUTE,							
WASHER, 16.8X24 .....	E13	52	11		22X21X1	E9	48	21			
WASHER, 22X32X1.5 .....	E9	48	24	WASHER, THRUST, 13MM .....	D16	39	16				
WASHER, 22X35X2 .....	H4	81	25	WASHER, THRUST, 17MM .....	E13	52	10				
WASHER, 24X32X1 .....	E9	48	26	WASHER, THRUST, 17.2MM .....	E9	48	23				
WASHER, 26X10.5 .....	I2	95	11	WASHER, THRUST, 18X32 .....	D12	35	17				
WASHER, 26X9 .....	I2	95	11	WASHER, THRUST, 20MM .....	D12	35	18				
WASHER, 6MM .....	H12	89	19	WASHER, THRUST, 22X30X1 .....	E9	48	25				
WASHER, 6.1MM .....	E12	51	23	WASHER, THRUST, 23.1X28X1 .....	E10	49	38				
WASHER, 8MM .....	H4	81	26	WEIGHT, DECOMPRESSION .....	D4	27	3				
WASHER, CAMSHAFT THRUST .....	D3	26	16	WHEEL SUB ASSY., FR. ....	G14	75	8				
WASHER, CHAIN SLIDER .....	I5	98	14	WHEEL SUB ASSY., RR. ....	H3	80	11				
WASHER, FENDER MOUNTING .....	G9	70	2	WOOL A, GLASS .....	H14	91	8				
				WOOL B, GLASS .....	H14	91	9				
				WOOL COMP., GLASS .....	H16	93	10				
					H12	89	8				

---

**1**

**FOREWORD INDEX**

---

**2**

**ENGINE GROUP**

---

**3**

**FRAME GROUP**

---

**4**

**PART NUMBER INDEX**

---

**5**

**PART NAME INDEX**

---

**HONDA**  
The Power of Dreams